



A SPARTAN MOTORS COMPANY

# Sidewall Liners

**Kits 23003597SK, 23003598SK, 23003599SK, 23003608SK,  
23003609SK, 23003606SK, 23003607SK**

## Contents

<i>Introduction</i> .....	2
<i>Notes, Cautions, and Warnings</i> .....	3
<i>Recommended Tools</i> .....	4
<i>Kit Parts List</i> .....	4
<i>Installation Instructions</i> .....	9
<i>Revision Control</i> .....	13
<i>Important Notices</i> .....	13

## Customer Service

**574-848-2200**

**Monday–Friday 8 a.m. to 5 p.m. Eastern Standard Time Zone**

**Email: [CustServ@Utilimaster.com](mailto:CustServ@Utilimaster.com)**

*NOTE: The information in this document is generic. Images and procedures may differ from those for vehicles you are servicing. Because Utilimaster manufactures customized vehicle solutions, this document cannot list and illustrate every possible option for every vehicle. The most common body options are described here. Use this information as a guideline.*

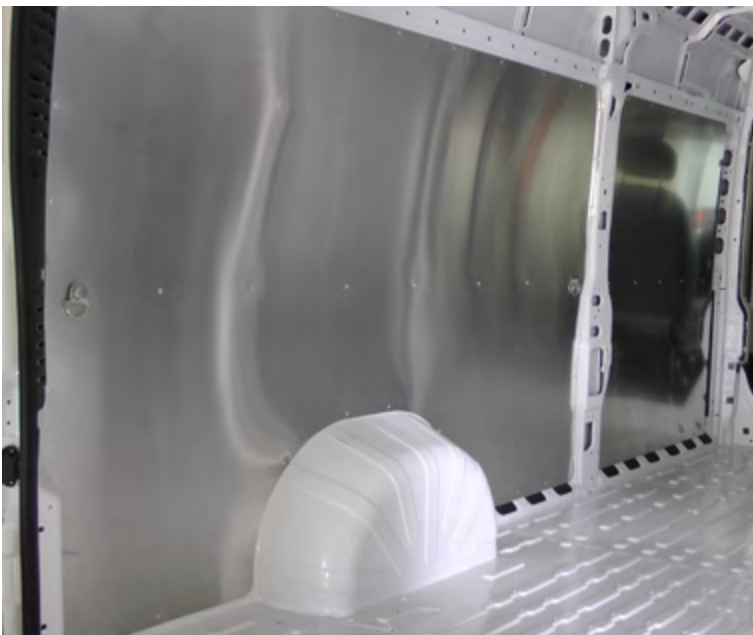
**Document Part Number: 03104592-N013EN**

**– Revision A –**

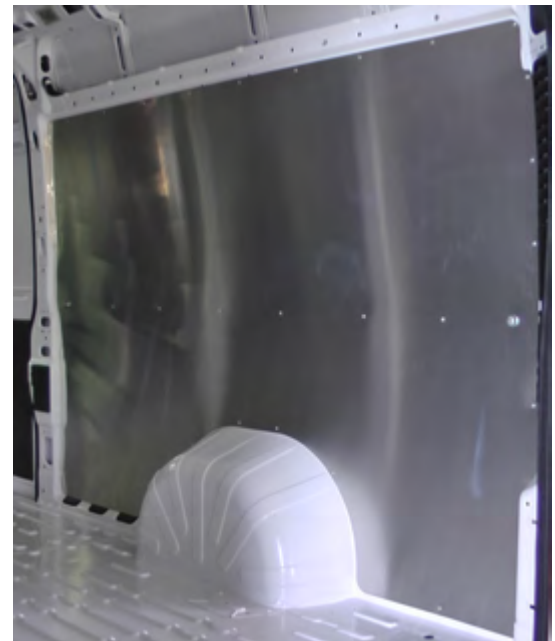
## Introduction

This document provides instructions for the installation of aluminum sidewall liners designed for Utilimaster Corporation into the 136", 159" and 159" EXT wheelbases Ram ProMaster™ cargo vans. Sidewall panel kits are sold individually and three kits are required for complete installation. Select right rear, left rear, and left front panels for body and wheelbase configurations.

This manual contains drawings and photos to aid in servicing the vehicle. It may include maintenance information on some items provided but not manufactured by Utilimaster Corporation. Items such as drivetrain components and certain interior furnishings may be covered by separate manufacturer-supplied information. Information provided here is intended to assist Utilimaster customers and is in no way meant to replace or supersede instructions provided by other suppliers for their products.



*159" wheelbase LH front and rear sidewall liners  
(Kits 23003599SK and 23003608SK sold separately)*



*159" wheelbase RH rear sidewall  
(Kit 23003609SK sold separately)*

## Notes, Cautions, and Warnings

Reading through the procedures, you will see NOTES, CAUTIONS, and WARNINGS. Each is there for a specific purpose.

**NOTES** give additional information that will help you complete the procedure.

**CAUTIONS** warn against making an error that could damage the vehicle.

**WARNINGS** remind you to be careful when there is risk of personal injury.



***When you see this symbol, read this statement first! This alert highlights information that may reduce the risk of personal injury or vehicle damage.***

Below are some basic WARNINGS that you should heed when you work on the vehicle's body. They are not all-inclusive and common sense must be used when servicing vehicles.

- Always read and understand all instructions before starting.
- Always wear safety glasses and other appropriate protective equipment (gloves, steel-toed shoes, face shields, knee pads, hearing protection).
- Put the transmission in Park, and set the parking brake before working on the vehicle.
- Be sure that the ignition switch is Off unless otherwise required by the procedure.
- Keep your hair, clothing, and body away from all moving parts such as engine pulleys and power tools.
- Always remove rings, watches, hanging jewelry, and loose clothing before working in tight areas.
- Read and understand all warning labels.
- Always use proper ladders or scaffolding to perform required jobs.
- Always make sure tools are in proper working condition and have guards and safety devices in place.
- Use only the recommended tools for a specific job.
- If at any time you lack confidence in performing a specific repair procedure or in operating the tools safely to perform the repair, STOP! Call your local dealer or a Utilimaster representative.

## Recommended Tools



**WARNING:** Always wear safety glasses and other proper protective equipment (gloves, steel-toed shoes, face shields, knee pads, hearing protection) as appropriate to the process.



**CAUTION:** Read and understand ALL product instructions and safety procedures. The effectiveness of the repair can be compromised by environmental conditions and poor application. Product application and safety instructions provided by the manufacturers always supersede information provided by Utilimaster.

Below are some tools that you will need for this process. There may be other commonly used hand tools required but not specifically mentioned.

- Drill with a #11 bit and drill stop
- Rivet gun
- Metric combination and ratchet wrench sets including swivel adapter and extensions
- Utility knife

## Kit Parts List

*NOTE: Installation of the Bulkhead Kit 23003497SK is required for exact fit of the left front sidewall liner.*

136", 159" 159" EXT and Wheelbase Left Front Sidewall Kit		
23003599SK	KIT SIDEWALL LH FRNT PRMSTR	
06939028	PANEL FRNT INTERIOR FILLER PRMSTR L2	1
11400600	RIVET 3/16 x 3/16-7/16	16
12100503	ADHESIVE SPRAY 17 OZ.	1
20200985	POLYSTYRENE .875 x 15.75 x 94.5	1
03104592-N013EN	SIDEWALL LINERS INSTALL INSTRUCTIONS	1

136" Wheelbase Left Rear Sidewall Liner Kit		
23003606SK	KIT SIDEWALL LH RR L2 PRMSTR	
06939671	PANEL LH RR INTR FILLER PRMSTR L2	1
20200985	POLYSTYRENE .875 x 15.75 x 94.5	1
11400600	RIVET 3/16 x 3/16-7/16	30
12100503	ADHESIVE SPRAY 17 OZ.	1
UT29-BB1-007	BOLT M8-1.25 x 25 FLG G8.8	2
03104592-N013EN	SIDEWALL LINERS INSTALL INSTRUCTIONS	1

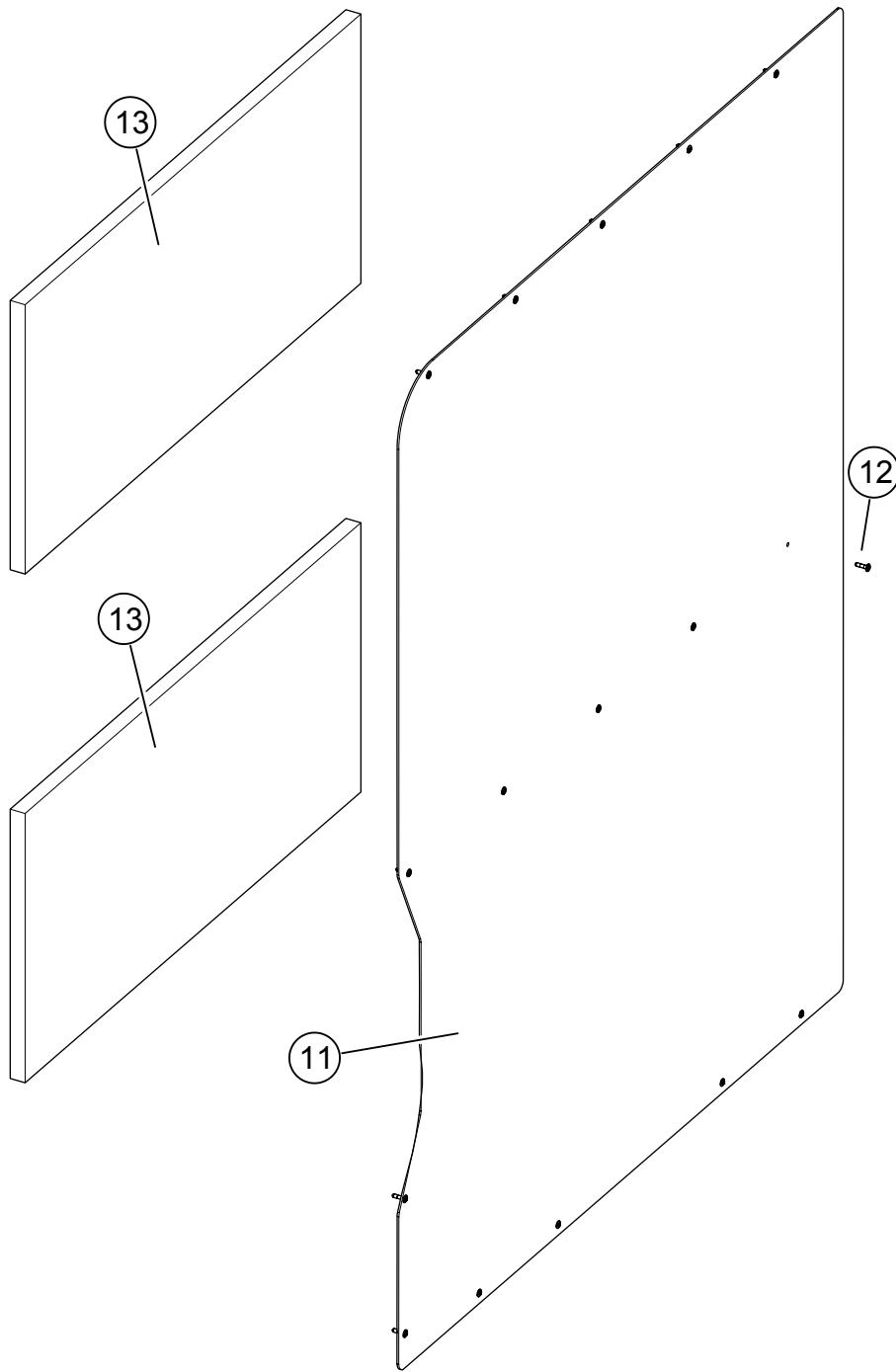
<b>136" Wheelbase Right Rear Sidewall Liner Kit</b>		
23003607SK	KIT SIDEWALL RH RR L2 PRMSTR	
UT29-BB1-007	BOLT M8-1.25 x 25 FLG G8.8	2
06939672	PANEL RH RR INTR FILLER PRMSTR L2	1
11400600	RIVET 3/16 x 3/16-7/16	30
12100503	ADHESIVE SPRAY 17 OZ.	1
20200985	POLYSTYRENE .875 x 15.75 x 94.5	1
03104592-N013EN	SIDEWALL LINERS INSTALL INSTRUCTIONS	1

<b>159" Wheelbase Sidewall Liner Left Rear Kit</b>		
23003608SK	KIT SIDEWALL LH RR L4 PRMSTR	
06939673	PANEL LH RR INTR FILLER PRMSTR L4	1
20200985	POLYSTYRENE .875 x 15.75 x 94.5	1
11400600	RIVET 3/16 x 3/16 - 7/16	37
12100503	ADHESIVE SPRAY 17 OZ.	1
UT29-BB1-007	BOLT M8-1.25 x 25 FLG G8.8	2
03104592-N013EN	SIDEWALL LINERS INSTALL INSTRUCTIONS	1

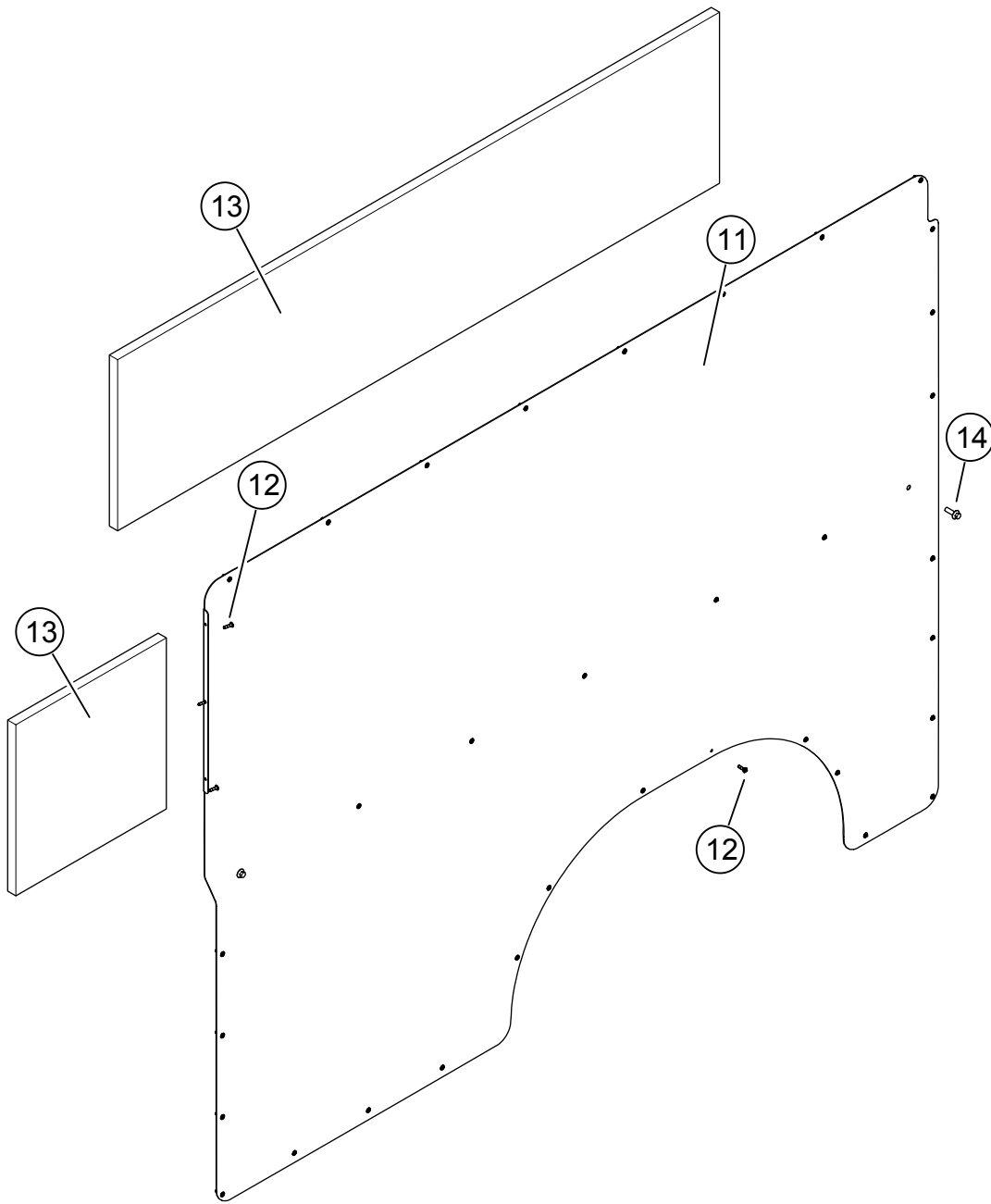
<b>159" Wheelbase Sidewall Liner Right Rear Kit</b>		
23003609SK	KIT SIDEWALL RH RR L4 PRMSTR	
06939674	PANEL RH RR INTR FILLER PRMSTR L4	1
20200985	POLYSTYRENE .875 x 15.75 x 94.5	1
11400600	RIVET 3/16 x 3/16 - 7/16	37
12100503	ADHESIVE SPRAY 17 OZ.	1
UT29-BB1-007	BOLT M8-1.25 x 25 FLG G8.8	2
03104592-N013EN	SIDEWALL LINERS INSTALL INSTRUCTIONS	1

<b>159" EXT Wheelbase Left Rear Sidewall Liner Kit</b>		
23003597SK	KIT SIDEWALL LH RR L5 PRMSTR	
UT29-BB1-007	BOLT M8-1.25 x 25 FLG G8.8	2
06939563	PANEL LH RR INTR FILLER PRMSTR L5	1
11400600	RIVET 3/16 x 3/16 - 7/16	40
12100503	ADHESIVE SPRAY 17 OZ.	1
20200985	POLYSTYRENE .875 x 15.75 x 94.5	2
03104592-N013EN	SIDEWALL LINERS INSTALL INSTRUCTIONS	1

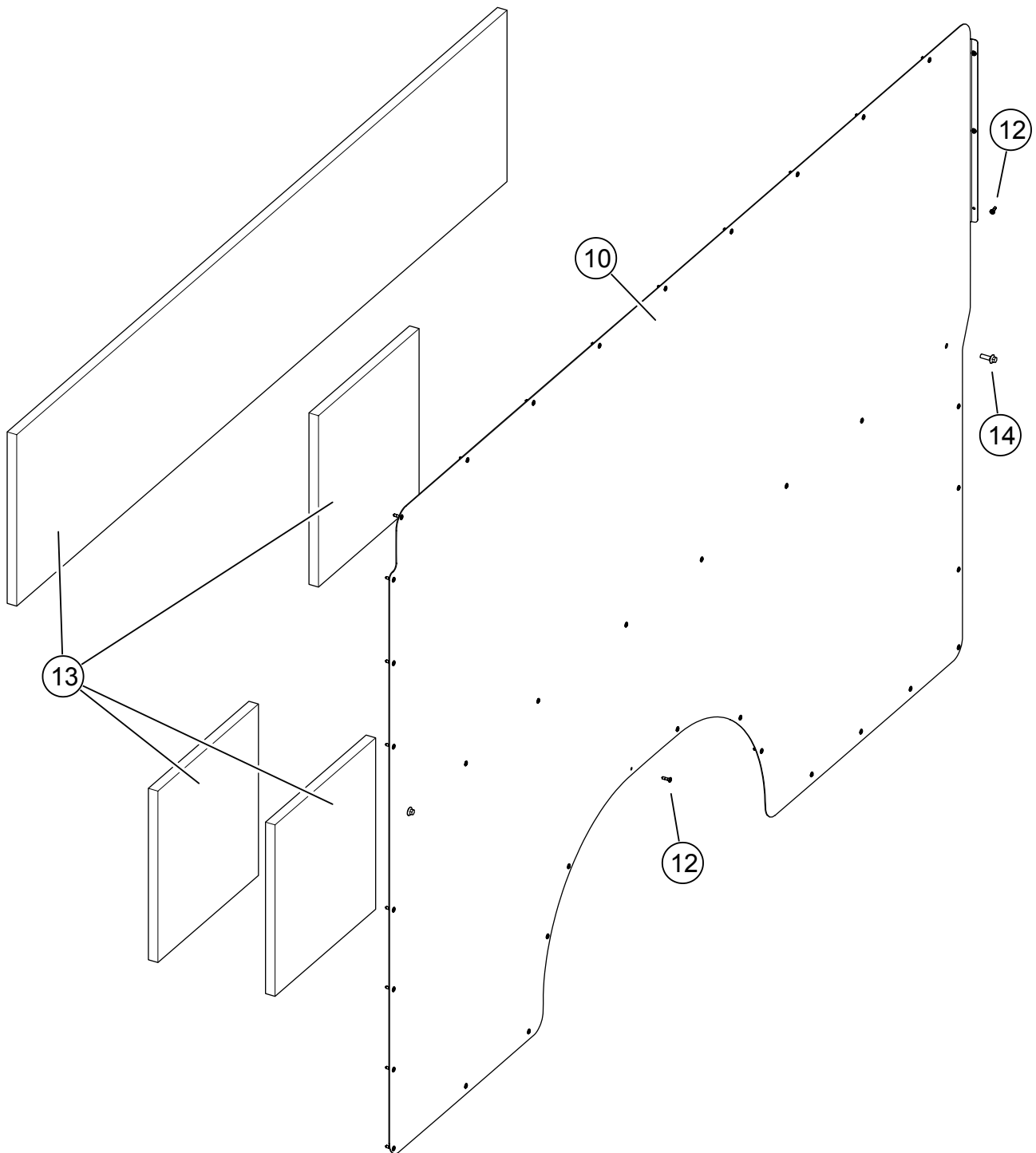
<b>159" EXT Wheelbase Sidewall Liner Right Rear Kit</b>		
23003598SK	KIT SIDEWALL RH RR L5 PRMSTR	
UT29-BB1-007	BOLT M8-1.25 x 25 FLG G8.8	2
06939565	PANEL RH RR INTR FILLER PRMSTR L5	1
11400600	RIVET 3/16 x 3/16 - 7/16	40
12100503	ADHESIVE SPRAY 17 OZ.	1
20200985	POLYSTYRENE .875 x 15.75 x 94.5	2
03104592-N013EN	SIDEWALL LINERS INSTALL INSTRUCTIONS	1



BOM ID	Part Number	Description
0	REFERENCE	23003599a INSTALL SIDEWALL LH FRNT PRMSTR
11	REFERENCE	PANEL FRONT INTERIOR FILLER PRMSTR
12	11400600	RVT 3/16 X 3/16 - 7/16
13	20200985	POLYSTYRENE .875 x15.75 x 94.5
NS_1	12100503	ADHESIVE SPRAY 17 OZ.



BOM ID	Part Number	Description
0	REFERENCE	23003609a INSTALL SIDEWALL RH RR L4 PRMSTR
11	REFERENCE	PANEL RH RR INTR FILLER PRMSTR
12	11400600	RIVET 3/16 x 3/16-7/16
13	20200985	POLYSTYRENE .875 x15.75 x 94.5
14	UT29-BB1-007	BOLT M8-1.25 x 25 FLG G8.8 BZ PTCH
NS_1	12100503	SPRAY ADHESIVE



BOM ID	Part Number	Description
0	REFERENCE	23003598a INSTALL SIDEWALL RH RR L5 PRMSTR
10	REFERENCE	PANEL LH RR INTR FILLER PRMSTR L5
12	11400600	RIVET 3/16 x 3/16 - 7/16
13	20200985	POLYSTYRENE .875 x 15.75 x 94.5
14	UT29-BB1-007	BOLT M8-1.25X25 FLG C 8.8
NS_1	12100503	SPRAY ADHESIVE

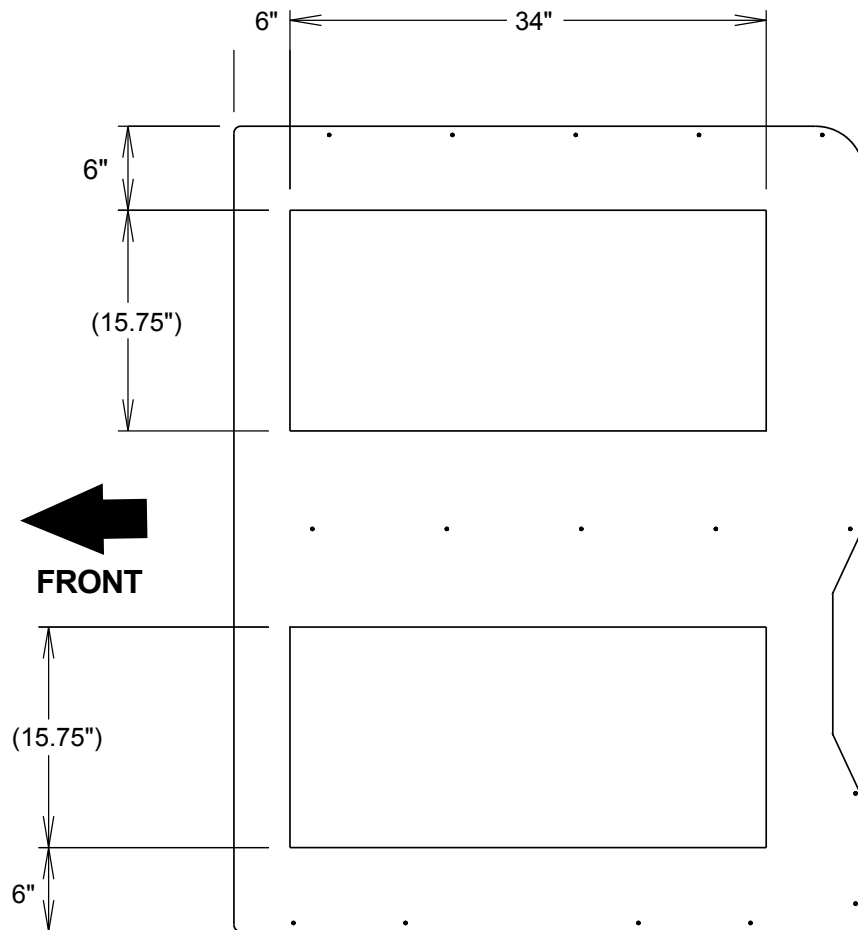


## Installation Instructions

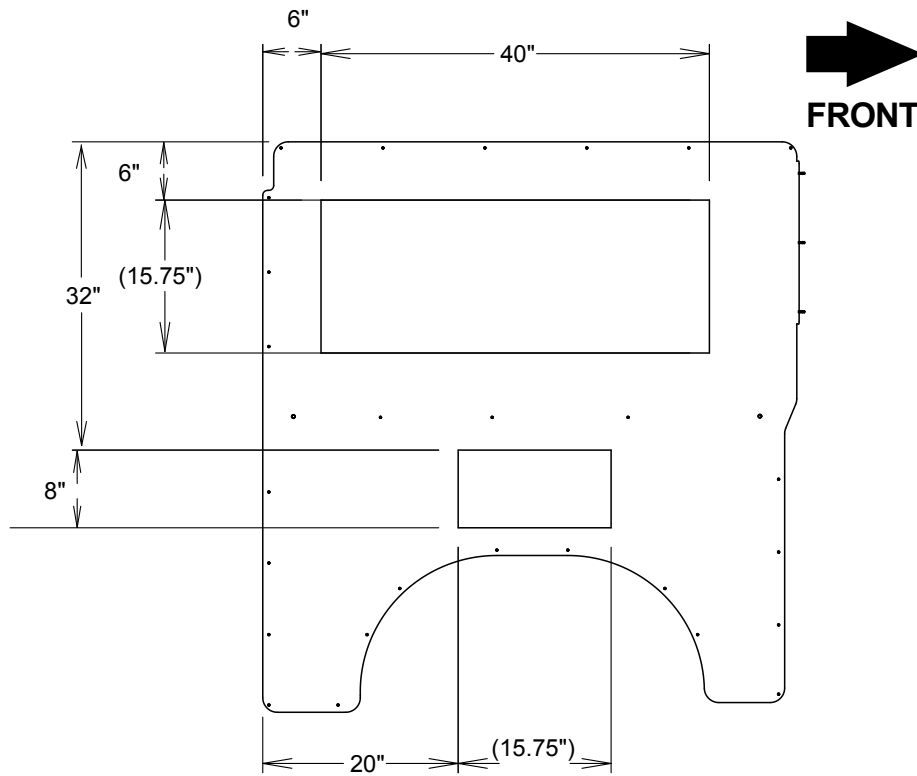


**CAUTION:** Use a drill stop to keep from drilling through the exterior wall panel.

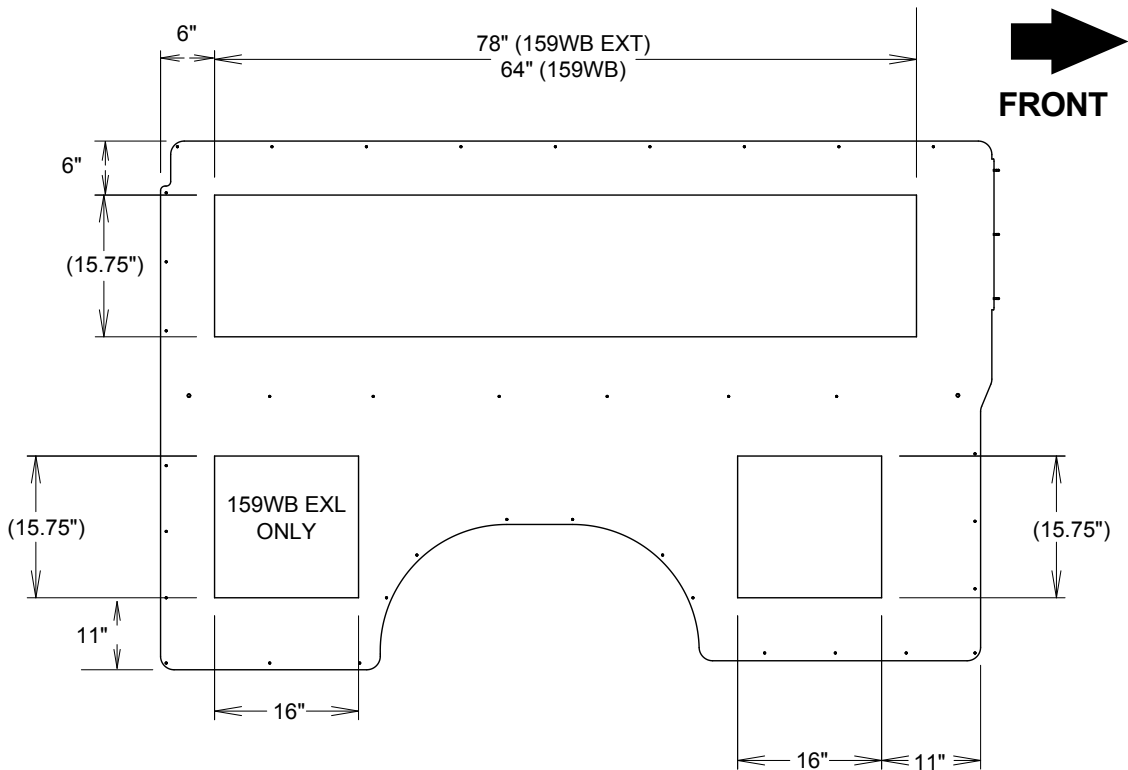
1. Read and understand all instructions before starting work.
2. Validate the packing slip with the list of parts in the instructions.  
*NOTE: The panels and rivets can be painted prior to installation.*
3. Position the sidewall liner panels to determine the front side for each LH and RH side panel.
4. Measure and mark the back side of liner for the foam inserts.
5. Trim foam to fit the upper and lower liner dimensions.



*Foam placement for LH front liner on all wheelbase models*



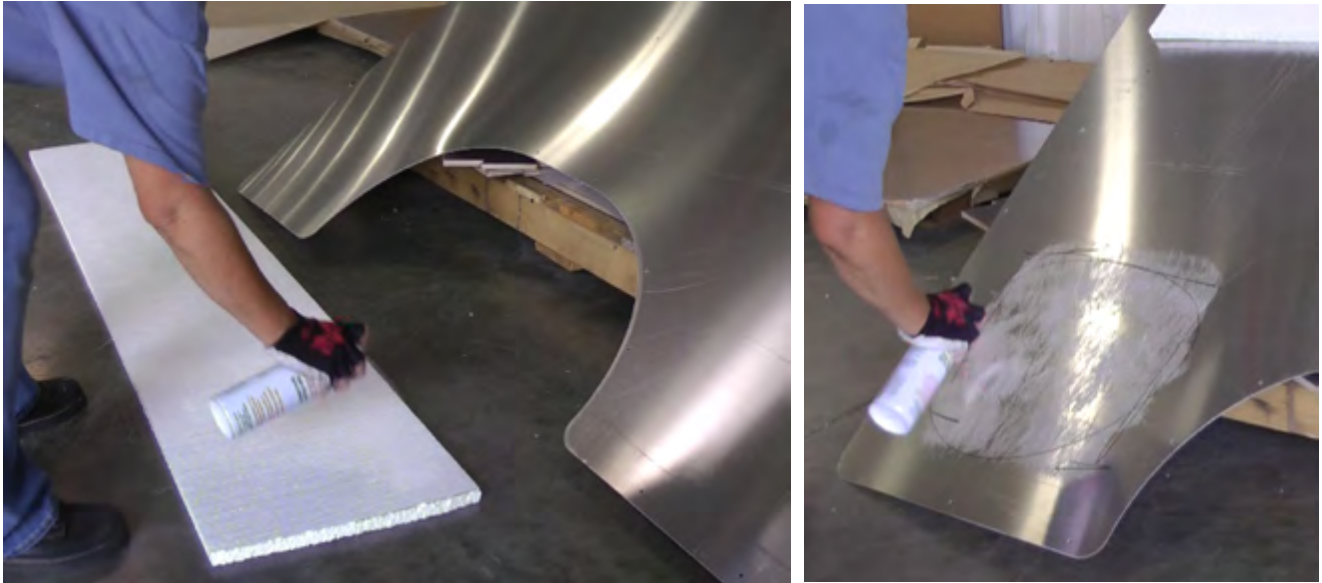
136" wheelbase foam sizes for LH and RH rear panels (RH shown)



159" and 159" EXT wheelbase foam inserts for LH and RH rear liners (RH shown)

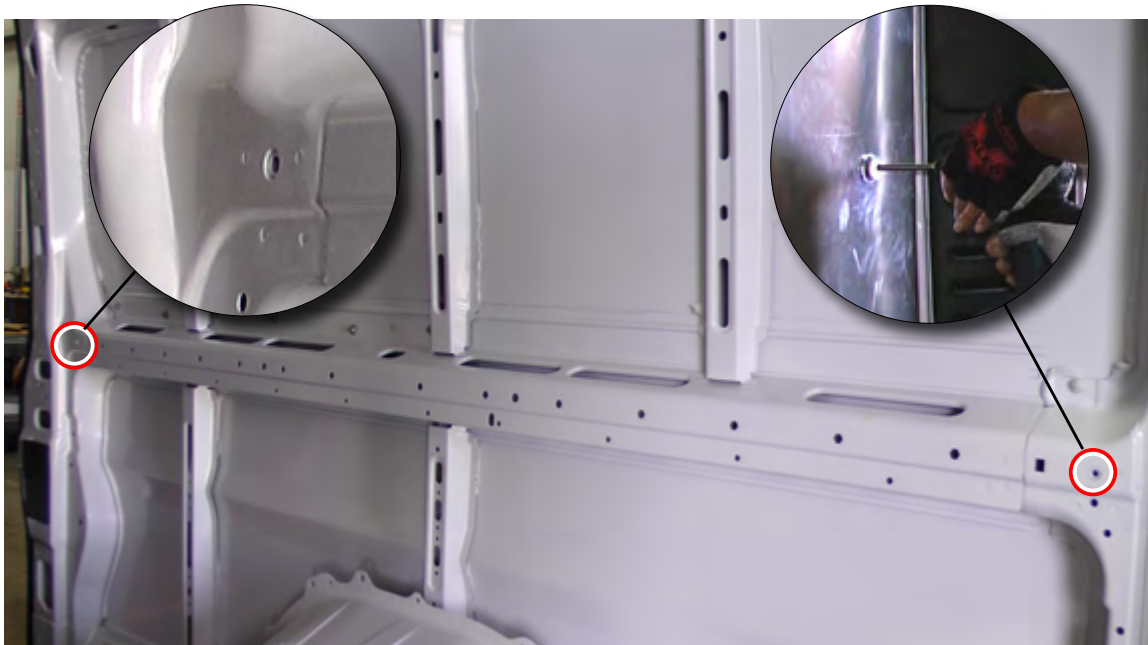
*NOTE: Only 159" EXT wheelbase models require foam placed behind the rear wheel opening. Install two layers of foam in this location only.*

6. Apply glue to both the sidewall liner and foam. Press foam on liner.



*Adhesive spray applied to foam and sidewall liner*

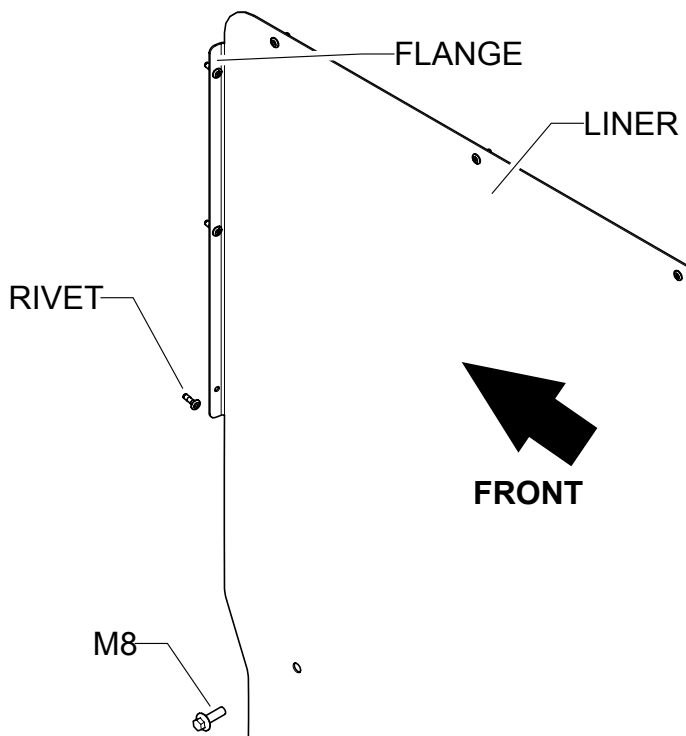
7. Align the rear sidewall liner holes with matching threaded holes in sidewall ribs and secure using (2) M8 bolts.



*Threaded holed in sidewall ribs for M8 fasteners (rear panels only)*

*NOTE: LH front panels do not require bolts or have the liner flange at the front edge.*

8. Use a #11 drill bit with drill stop and holes in the liner as a guide to drill (3) holes in the front flange.
9. Secure with (3) rivets.
10. Press liner against sidewall and use a #11 drill bit with drill stop and the holes in the liner as a guide to drill all remaining holes.
11. Secure with rivets.



*Liner flange and fasteners (RH liner shown)*



*Use holes in liner as a guide*



*Secure liner with rivets*

## Revision Control

Document Part Number: 03104592-N013EN

Revision: A

October 2014

## Important Notices

© 2014, Utilimaster Corp.®

Title: *ProMaster—Sidewall Liners*

Utilimaster Corporation attempts to provide information that is accurate, complete, and useful. All information contained in this manual is based on the latest product information available at the time of publication. However, because of the Utilimaster policy of continual product improvement, Utilimaster reserves the right to amend the information in this document at any time without prior notice.

This material is confidential and the property of Utilimaster. It is shared with your company for the sole purpose of helping you with the operation of the described equipment.

Utilimaster makes no warranty of any kind with regard to this material, including, but not limited to, the implied warranties of merchantability and fitness for a particular purpose. Utilimaster shall not be liable for errors contained herein or for incidental or consequential damages in connection with the furnishing, performance, or use of this material.

Utilimaster expressly disclaims all responsibility and liability for the installation, use, performance, maintenance, and support of third-party products. Customers are advised to make their independent evaluation of such products.

No part of this document may be photocopied, reproduced, or translated to another language without the prior written consent of Utilimaster.

Utilimaster® is a registered trademark of Spartan Motors USA, Inc. All other products or name brands mentioned in this document are trademarks of their respective owners.

Browse our web site [www.utilimaster.com](http://www.utilimaster.com) for more information about Utilimaster and its products.