



# Rear 71" Grab Handles

---

## Kits 23003551-001SK and 23003551-002SK

### Contents

<i>Introduction</i> .....	2
<i>Notes, Cautions, and Warnings</i> .....	3
<i>Recommended Tools</i> .....	4
<i>Kit Parts List</i> .....	4
<i>Installation Instructions</i> .....	5
<i>Revision Control</i> .....	7
<i>Important Notices</i> .....	7

### Customer Service

**574-848-2073**

**Monday–Friday 8 a.m. to 5 p.m. Eastern Standard Time Zone**

**Email: [Parts@Utilimaster.com](mailto:Parts@Utilimaster.com)**

*NOTE: The information in this document is generic. Images and procedures may differ from those for vehicles you are servicing. Because Utilimaster manufactures customized vehicle solutions, this document cannot list and illustrate every possible option for every vehicle. The most common body options are described here. Use this information as a guideline.*

## Introduction

This document provides instructions for the installation of two floor-to-ceiling grab handles at the rear cargo doors into the RAM ProMaster™ cargo van.

This manual contains drawings and photos to aid in servicing the vehicle. It may include maintenance information on some items provided but not manufactured by Utilimaster Corporation. Items such as drivetrain components and certain interior furnishings may be covered by separate manufacturer-supplied information. Information provided here is intended to assist Utilimaster customers and is in no way meant to replace or supersede instructions provided by other suppliers for their products.



*Rear 71" grab handles  
(Yellow shown)*

## Notes, Cautions, and Warnings

Reading through the procedures, you will see NOTES, CAUTIONS, and WARNINGS. Each is there for a specific purpose.

**NOTES** give additional information that will help you complete the procedure.

**CAUTIONS** warn against making an error that could damage the vehicle.

**WARNINGS** remind you to be careful when there is risk of personal injury.



***When you see this symbol, read this statement first! This alert highlights information that may reduce the risk of personal injury or vehicle damage.***

Below are some basic WARNINGS that you should heed when you work on the vehicle's body. They are not all-inclusive and common sense must be used when servicing vehicles.

- Always read and understand all instructions before starting.
- Always wear safety glasses and other appropriate protective equipment (gloves, steel-toed shoes, face shields, knee pads, hearing protection).
- Put the transmission in Park, and set the parking brake before working on the vehicle.
- Be sure that the ignition switch is Off unless otherwise required by the procedure.
- Keep your hair, clothing, and body away from all moving parts such as engine pulleys and power tools.
- Always remove rings, watches, hanging jewelry, and loose clothing before working in tight areas.
- Read and understand all warning labels.
- Always use proper ladders or scaffolding to perform required jobs.
- Always make sure tools are in proper working condition and have guards and safety devices in place.
- Use only the recommended tools for a specific job.
- If at any time you lack confidence in performing a specific repair procedure or in operating the tools safely to perform the repair, STOP! Call your local dealer or a Utilimaster representative.

## Recommended Tools



**WARNING:** Always wear safety glasses and other proper protective equipment (gloves, steel-toed shoes, face shields, knee pads, hearing protection) as appropriate to the process.

Below are some tools that you will need for this process. There may be other commonly used hand tools required but not specifically mentioned.

*NOTE: The slightly larger H drill bit is recommended in this process, but a 1/4" bit can be used.*

- Drill with a H-bit and 7/32" bit
- #30 Torx bit and driver

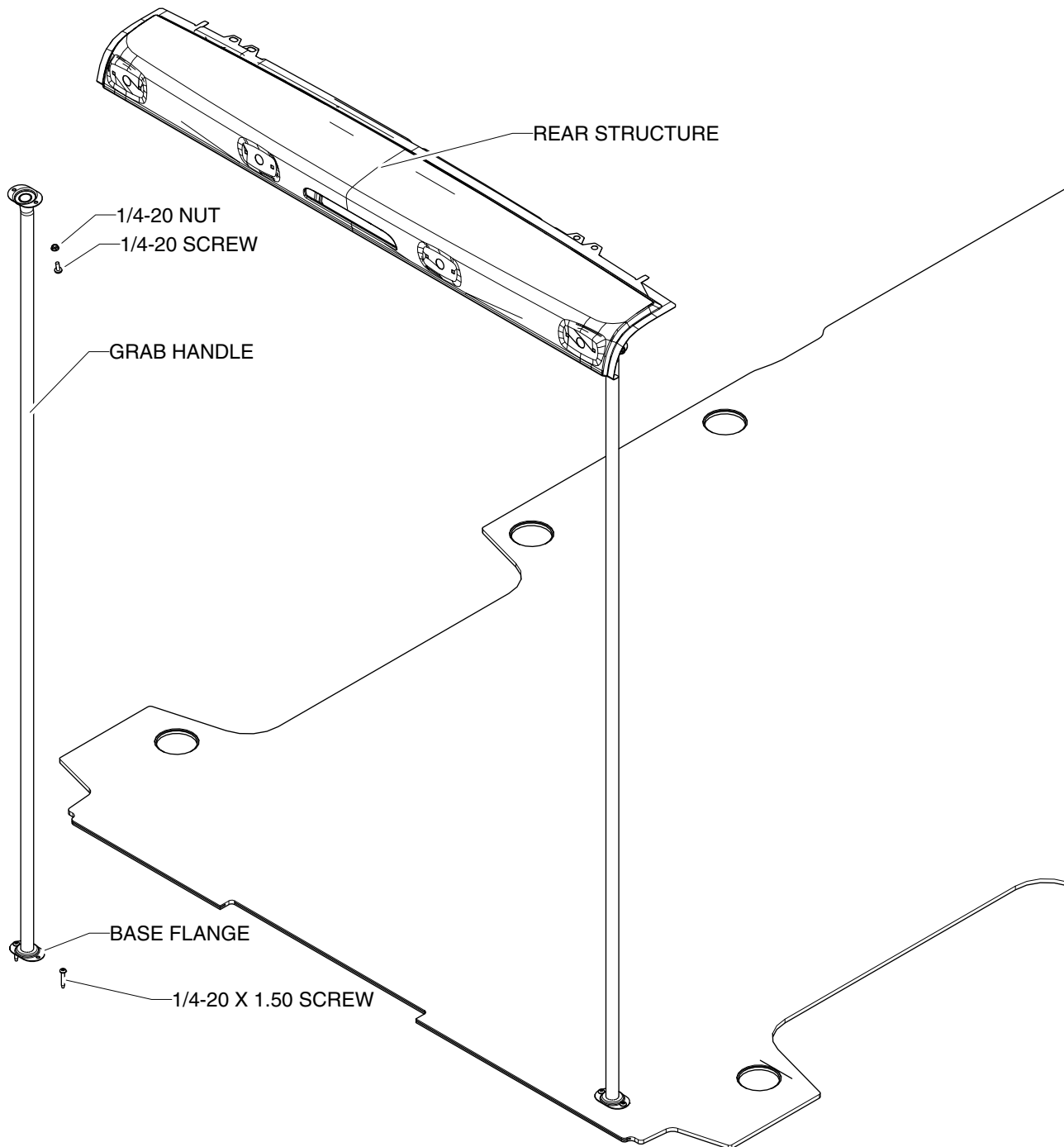
## Kit Parts List

23003551-001SK		ProMaster—Rear 71" Grab Handle (BLACK)
QTY	PART NUMBER	DESCRIPTION
1	23003551	GRAB HANDLE REAR CARGO (DRAWING)
1	03104592-N008EN	REAR CARGO GRAB HANDLE INSTALL INSTRUCTIONS
2	08613352-00001	GRAB HANDLE 71.4" REAR PRMSTR - BLACK
4	11001401	SCREW PNH TX 1/4-20 X .688
4	11300120	SCREW STP PNH TX 1/4-20 X 1.50 ZN
4	11600674	NUT FLG 1/4-20 PTLK GR5 ZN
8	3	SHIM RR CARGO GRAB HANDLE PRMSTR

23003551-002SK		ProMaster—Rear 71" Grab Handle (YELLOW)
QTY	PART NUMBER	DESCRIPTION
1	23003551	GRAB HANDLE REAR CARGO (DRAWING)
1	03104592-N008EN	REAR CARGO GRAB HANDLE INSTALL INSTRUCTIONS
2	08613352-00002	GRAB HANDLE 71.4" REAR PRMSTR - YELLOW
4	11001401	SCREW PNH TX 1/4-20 X .688
4	11300120	SCREW STP PNH TX 1/4-20 X 1.50 ZN
4	11600674	NUT FLG 1/4-20 PTLK GR5 ZN
8	3	SHIM RR CARGO GRAB HANDLE PRMSTR

## Installation Instructions

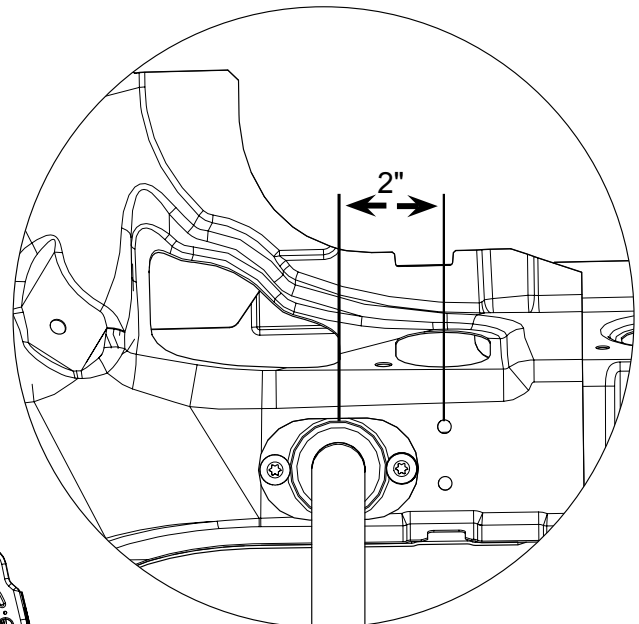
1. Read and understand all instructions before starting work.
2. Validate the packing slip with the list of parts in the instructions.



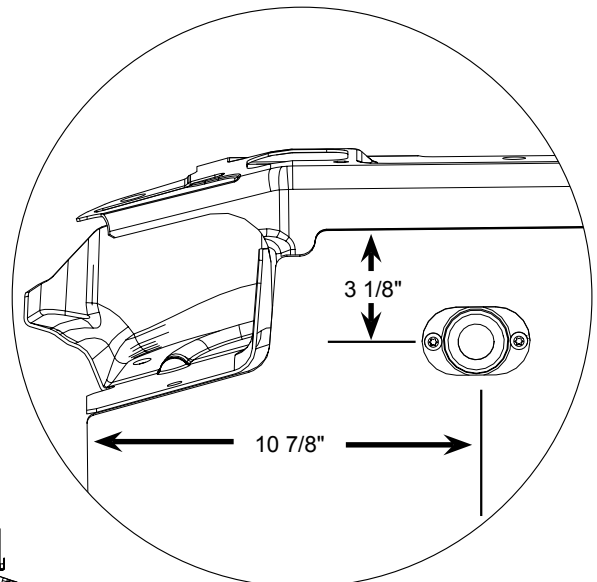
*Rear grab handles overview*

*NOTE: Add aluminum shims at the top as required depending to adjust to the thickness of the floor overlay material.*

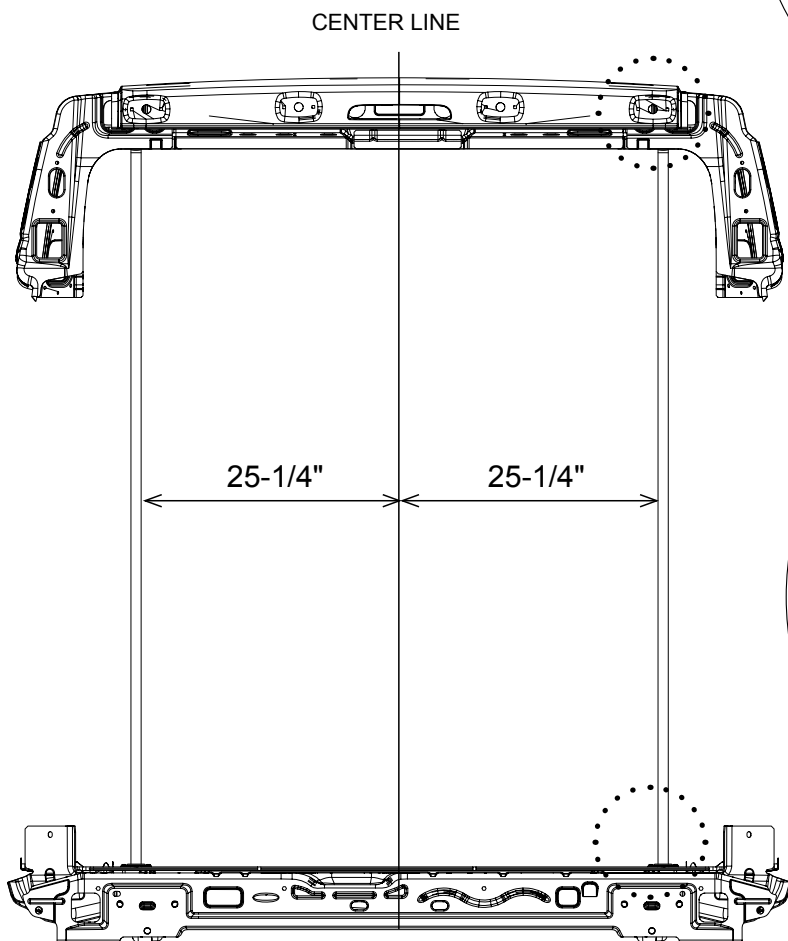
3. Measure 25-1/4" from the center line of the rear cargo door to position each grab handle. Align the center of the top flange 2" from the tooling holes on the rear structure.
4. Use holes in the top flange as a guide to drill (2) H-bit holes in the rear structure.
5. Secure with (2) 1/4-20 screws and nuts.
6. Measure 10-7/8" from the outboard edge and 3-1/8" from the rear edge of the cargo floor to position the floor flange.
7. Use the holes in the floor flange as a guide to drill (2) 7/32" holes in the cargo floor.
8. Secure floor flange with (2) 1/4-20 self-tapping screws.



*Top flange mount*



*Floor flange mount*



*Grab handle position at rear doors*

## Revision Control

**Document Part Number: 03104592-N008EN**

Revision: A

April 2014

## Important Notices

© 2014, Utilimaster Corp.®

Title: *ProMaster—Rear 71" Grab Handle*

Utilimaster Corporation attempts to provide information that is accurate, complete, and useful. All information contained in this manual is based on the latest product information available at the time of publication. However, because of the Utilimaster policy of continual product improvement, Utilimaster reserves the right to amend the information in this document at any time without prior notice.

This material is confidential and the property of Utilimaster. It is shared with your company for the sole purpose of helping you with the operation of the described equipment.

Utilimaster makes no warranty of any kind with regard to this material, including, but not limited to, the implied warranties of merchantability and fitness for a particular purpose. Utilimaster shall not be liable for errors contained herein or for incidental or consequential damages in connection with the furnishing, performance, or use of this material.

Utilimaster expressly disclaims all responsibility and liability for the installation, use, performance, maintenance, and support of third-party products. Customers are advised to make their independent evaluation of such products.

No part of this document may be photocopied, reproduced, or translated to another language without the prior written consent of Utilimaster.

Utilimaster® is a registered trademark of Utilimaster Corporation. All other products or name brands mentioned in this document are trademarks of their respective owners.

Browse our web site [www.utilimaster.com](http://www.utilimaster.com) for more information about Utilimaster and its products.