

DRAWING INDEX

CONNECTOR LOADING DIAGRAMS.....3-4-5-6-7  
 CONNECTOR LOCATING DIAGRAM.....8  
 POWER DISTRIBUTION.....9-10  
 GROUND DISTRIBUTION.....11  
 SWITCHES.....12-14  
 WIPER SYSTEM.....15  
 FORWARD LAMP WIRING.....16  
 REAR LIGHT WIRING-STANDARD.....17-18-19  
 CLEARANCE LIGHT SYSTEM.....20  
 FRONT CLEARANCE LIGHT.....21  
 REAR CLEARANCE LIGHT.....22  
 PANEL LAMP.....23  
 DOOR AJAR.....24

WIRE COLOR CODE:

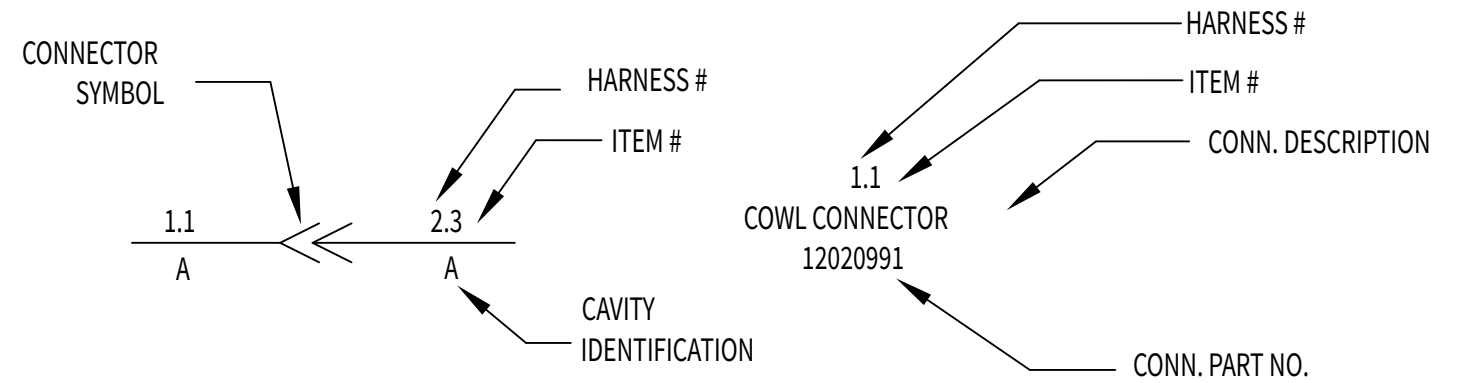
- BK - BLACK
- BR - BROWN
- DB - DARK BLUE
- DG - DARK GREEN
- GY - GRAY
- LB - LIGHT BLUE
- LG - LIGHT GREEN
- OR - ORANGE
- PK - PINK
- RD - RED
- YL - YELLOW
- VT - VIOLET
- WT - WHITE

WIRE GAUGE CHART:

- 18 - 18 GA - 0.8mm
- 16 - 16 GA - 1.0mm
- 14 - 14 GA - 2.0mm
- 12 - 12 GA - 3.0mm

NOTES:

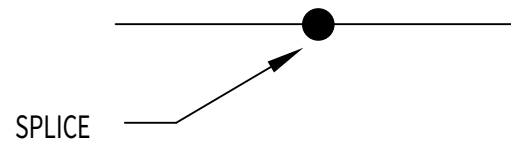
- 1) ALL CONNECTORS ARE SHOWN IN THE LOAD POSITION.
- 2) SPECIAL CUSTOMER OPTIONS MAY NOT BE COVERED BY THESE DIAGRAMS.



CONTINUE TO ANOTHER SHEET

CONTINUED FROM ANOTHER SHEET

CONN. WITH NO NUMBER ASSIGNED



1 - HARNESS #

500 BK 2.0mm

WIRE GAUGE SIZE IN MM

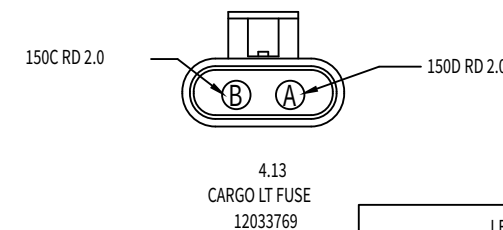
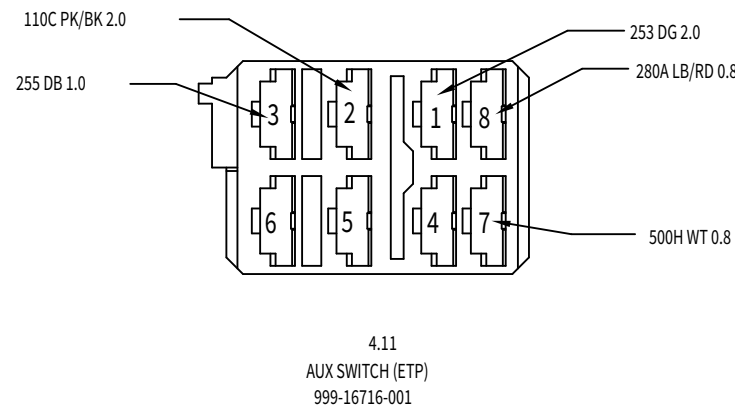
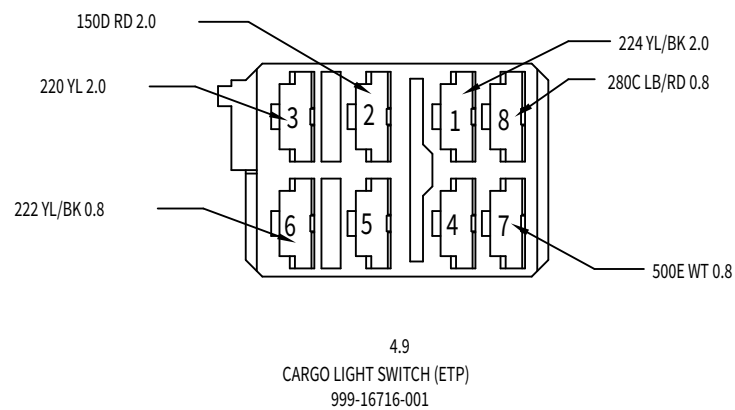
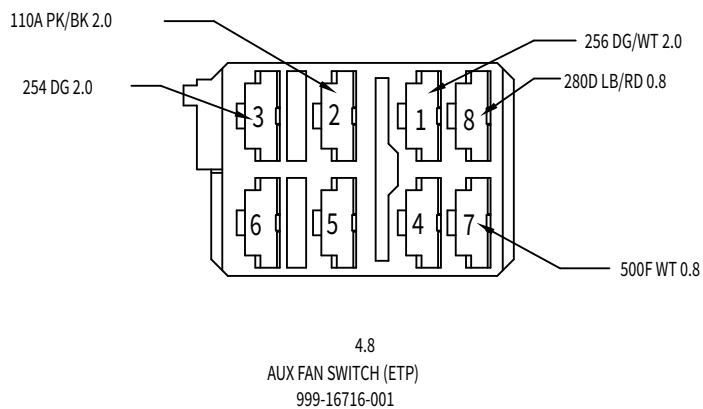
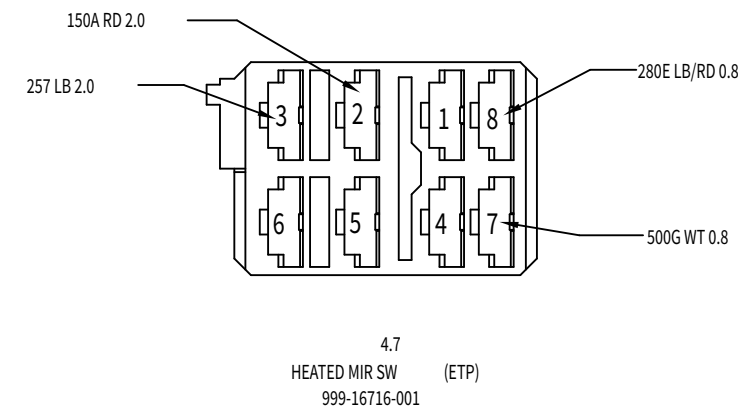
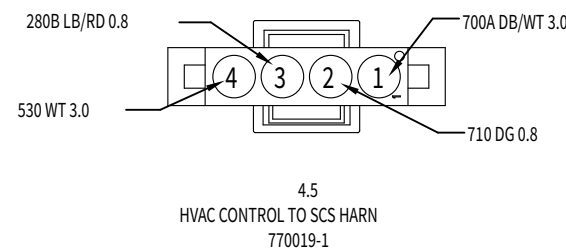
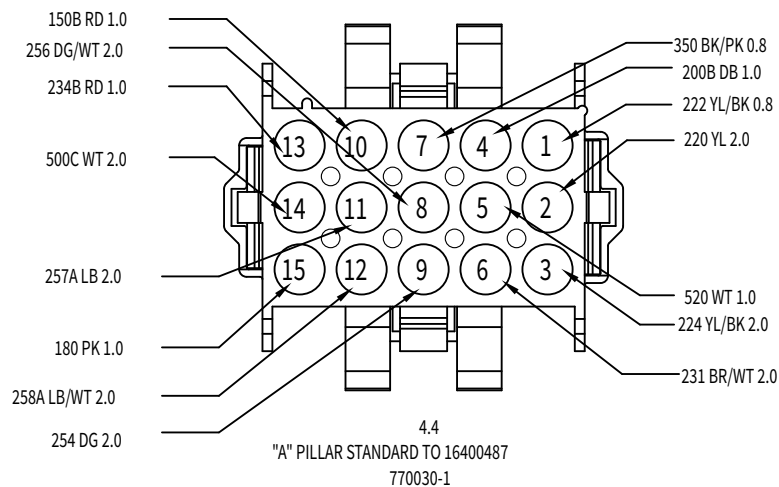
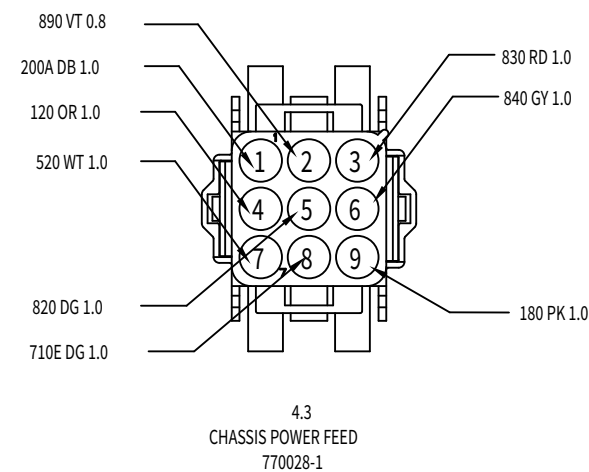
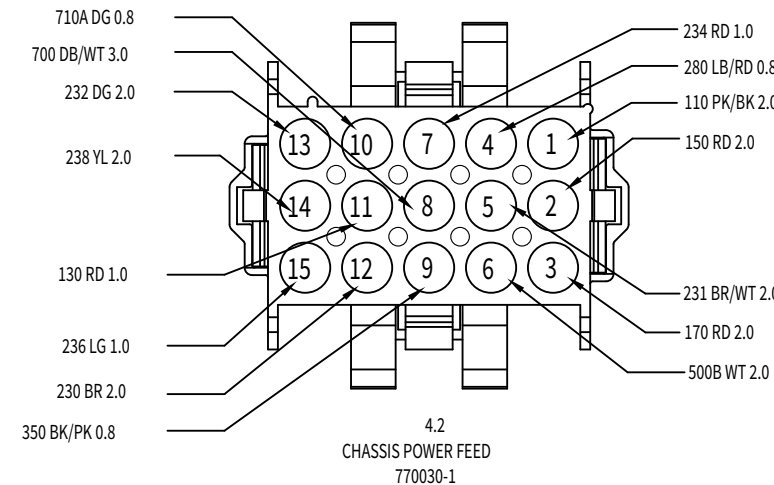
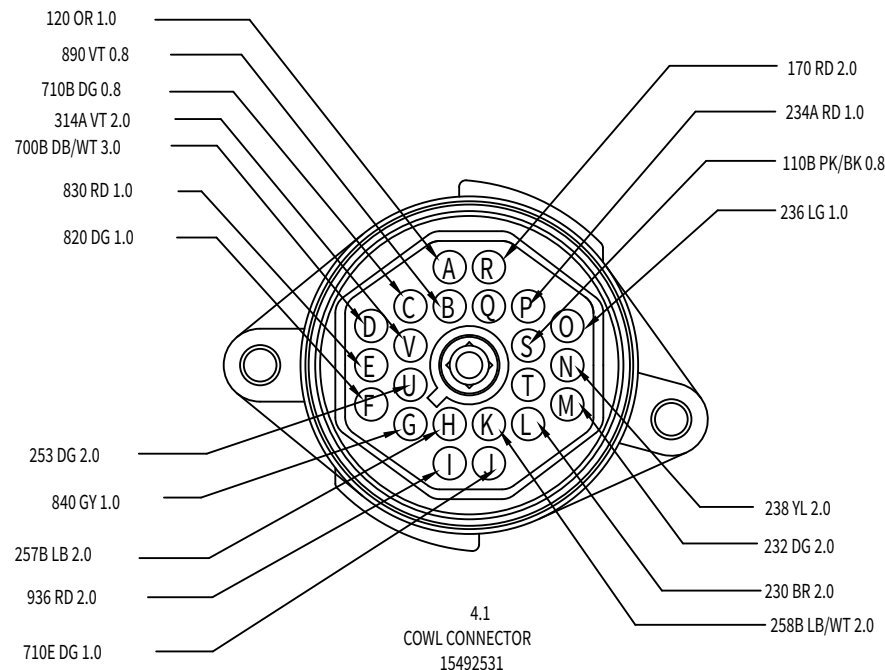
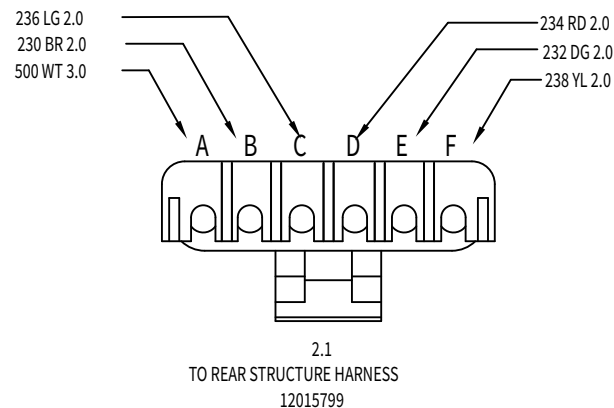
WIRE COLOR

CIRCUIT #

LEGEND	
BATT	HOT AT ALL TIMES
IGN	HOT IN RUN OR START
ACC	HOT IN ACC OR RUN

A RELEASE FOR PRODUCTION				515140				ENGINEER	DRAWN BY	Spartan Motors USA, Inc. 603 Earthway Blvd Bristol, IN 46507	TITLE	SCHEMATIC FREIGHTLINER MT55
REV.		REVISIONS	AUTH	DATE	BY	CHECKED BY	APPROVED BY	RLC	DATE	02/15/17	CAGE CODE	DWG. NUMBER
								RLC			36MVO	58232645

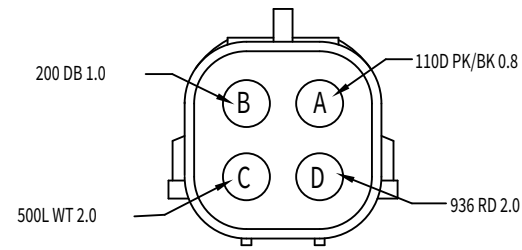
CONNECTOR VIEW



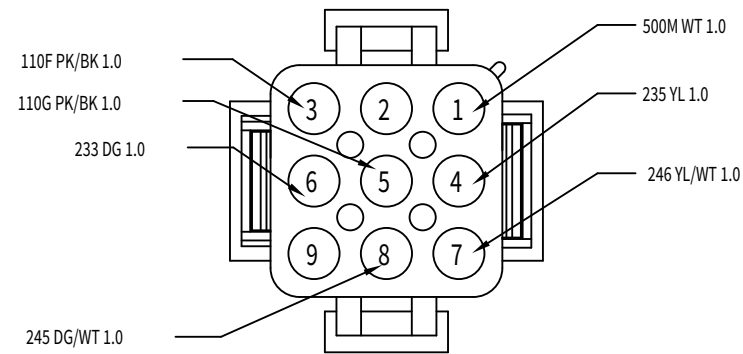
LEGEND	
[Symbol]	BATT HOT AT ALL TIMES
[Symbol]	IGN HOT IN RUN OR START
[Symbol]	ACC HOT IN ACC OR RUN

PAGE 3 OF 12	ENGINEER	DRAWN BY	Spartan Motors USA, Inc. 603 Earthway Blvd Bristol, IN 46507	TITLE	36MVO	DWG. NUMBER	A
	---	JYD		SCHEMATIC FREIGHTLINER MT55			
A RELEASE FOR PRODUCTION		515140	RLC	CHECKED BY	DATE	THE INFORMATION CONTAINED IN THIS DRAWING IS THE SOLE PROPERTY OF SPARTAN MOTORS USA, INC. ANY REPRODUCTION IN PART OR AS A WHOLE WITHOUT THE WRITTEN PERMISSION OF SPARTAN MOTORS IS PROHIBITED.	58232645
REV.	REVISIONS	AUTH	DATE	BY	02/15/17	DOCUMENT IS ELECTRONICALLY CONTROLLED. VERIFY REV PRIOR TO USE.	

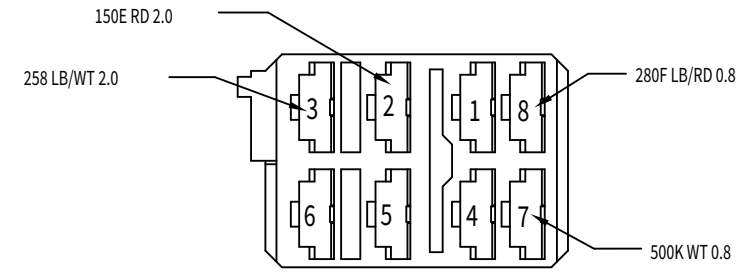
CONNECTOR VIEW



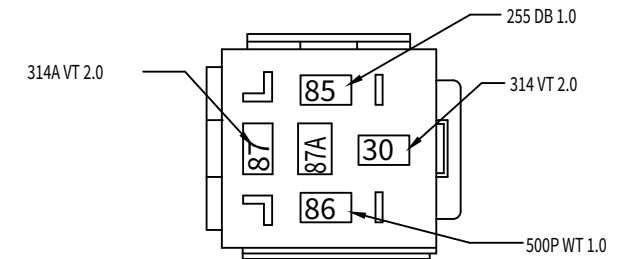
4.14  
KEYLESS POWER  
12015024



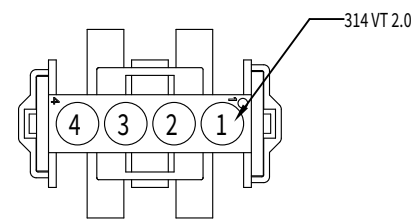
4.24  
CORNERING LIGHT MODULE  
770021-1



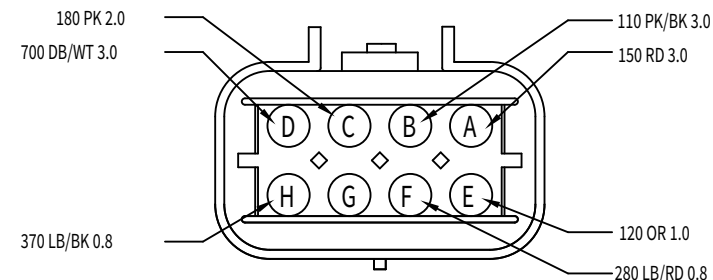
4.27  
CARGO LIGHT SWITCH (ETP)  
999-16716-001



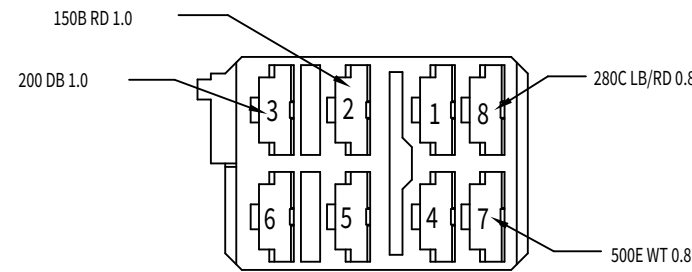
4.28  
AUX HEATER RELAY  
12033871



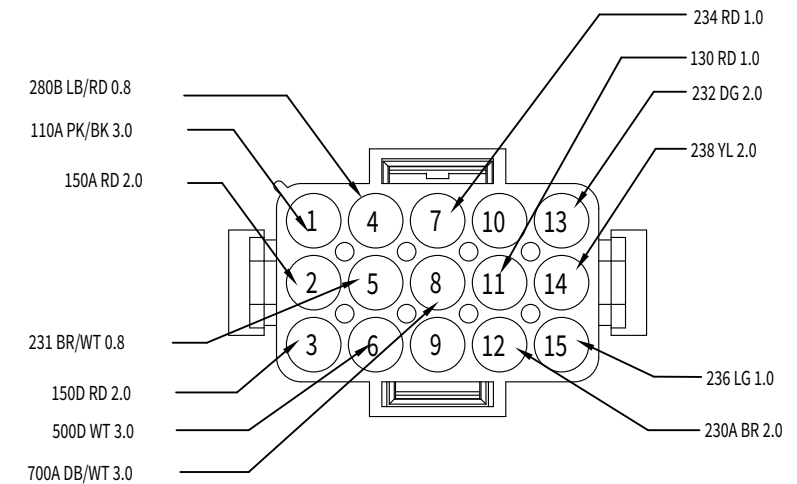
4.29  
AUX HEATER FEED  
770026-1



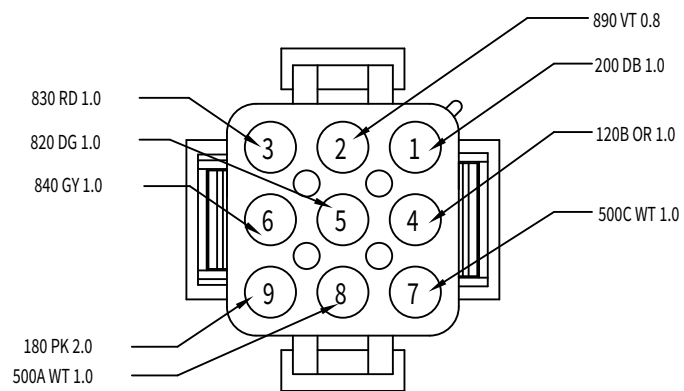
5.1  
BODY BUILDER CONNECTOR  
15326655



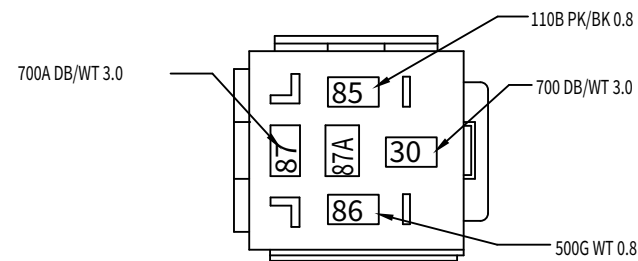
5.2  
DOME LIGHT SWITCH (ETP)  
999-16716-001



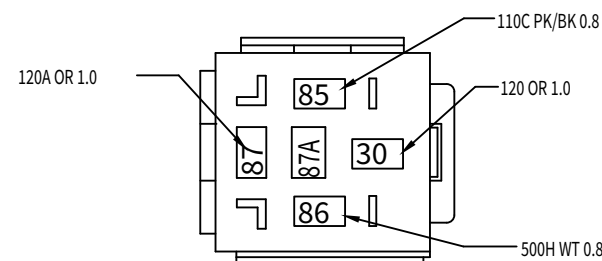
5.3  
POWER FEED #1  
770023-1



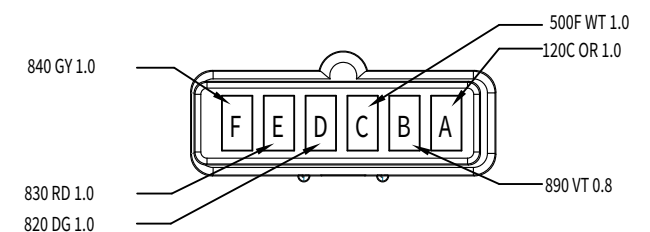
5.4  
POWER FEED #2  
770021-1



5.5  
HVAC POWER RELAY  
12033871



5.6  
WIPER POWER RELAY  
12033871



5.8  
WIPER SWITCH (ETP)  
06288539

LEGEND	
	HOT AT ALL TIMES
	HOT IN RUN OR START
	HOT IN ACC OR RUN

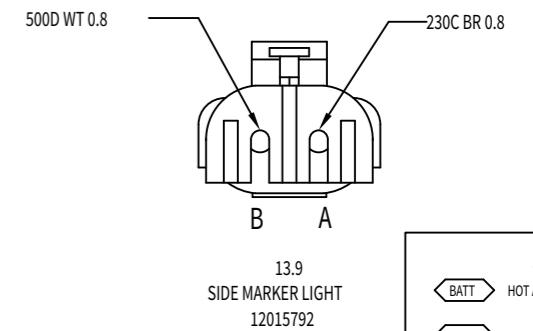
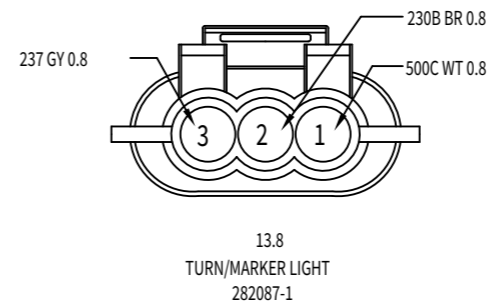
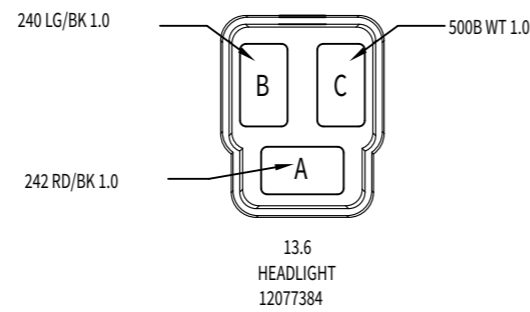
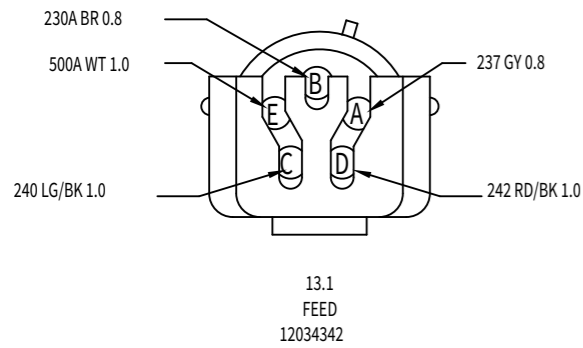
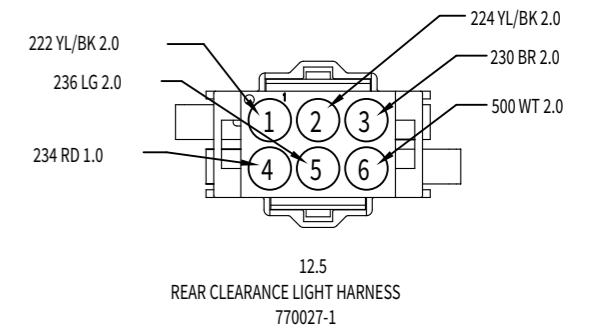
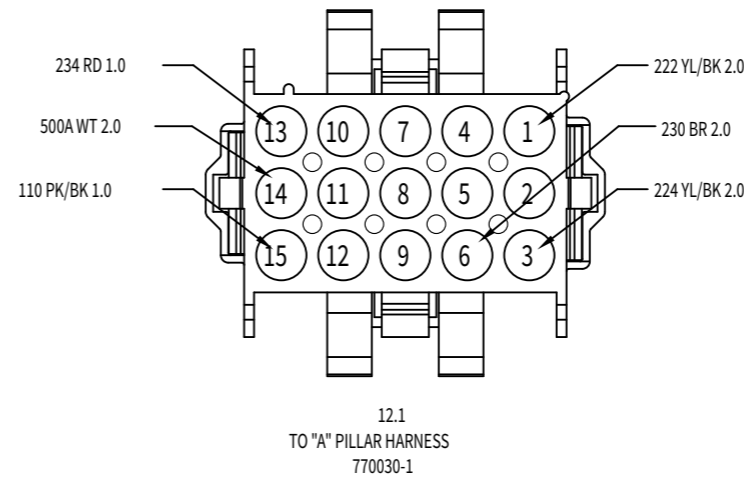
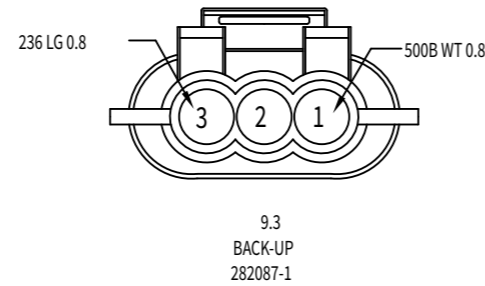
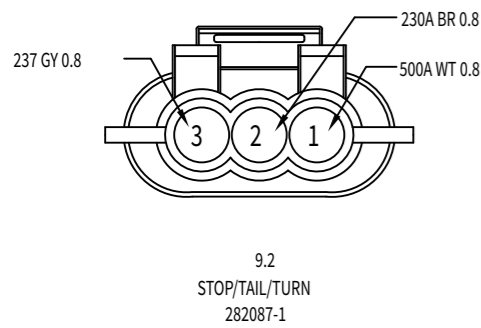
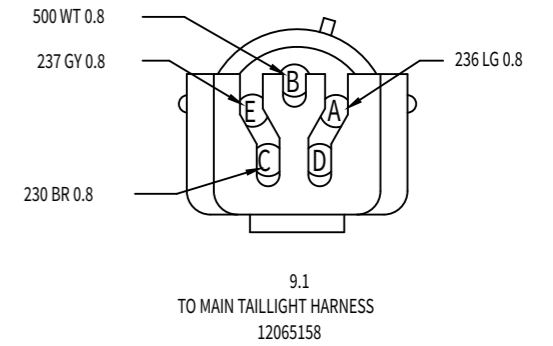
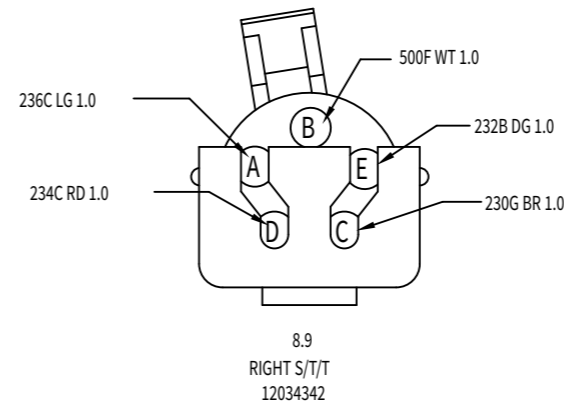
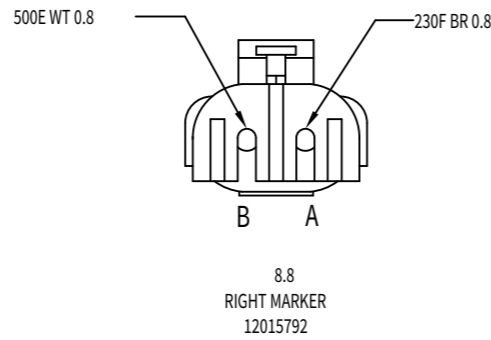
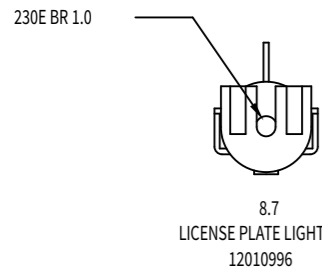
PAGE 4 OF 12

A		RELEASE FOR PRODUCTION	515140				ENGINEER	DRAWN BY	Spartan Motors USA, Inc. 603 Earthway Blvd Bristol, IN 46507	TITLE	SCHEMATIC FREIGHTLINER MT55	
REV.		REVISIONS	AUTH	DATE	BY	CHECKED BY	RLC	DATE	02/15/17	CAGE CODE	DWG. NUMBER	58232645
						APPROVED BY				36MV0		A

THE INFORMATION CONTAINED IN THIS DRAWING IS THE SOLE PROPERTY OF SPARTAN MOTORS USA, INC. ANY REPRODUCTION IN PART OR AS A WHOLE WITHOUT THE WRITTEN PERMISSION OF SPARTAN MOTORS IS PROHIBITED.  
DOCUMENT IS ELECTRONICALLY CONTROLLED. VERIFY REV PRIOR TO USE.



CONNECTOR VIEW

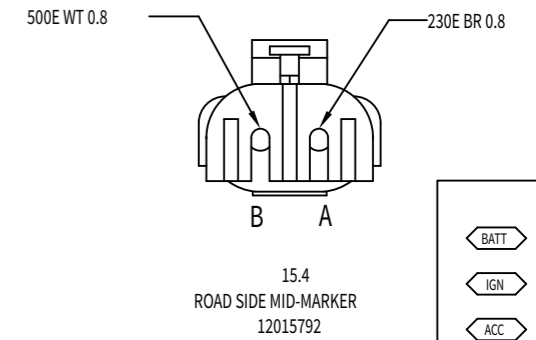
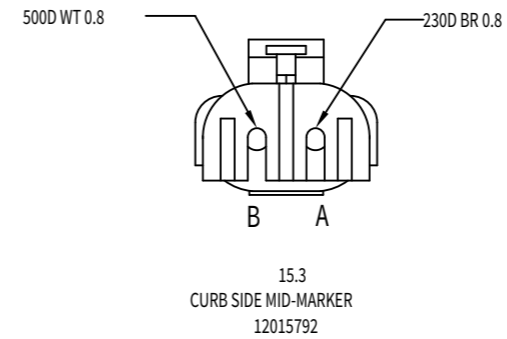
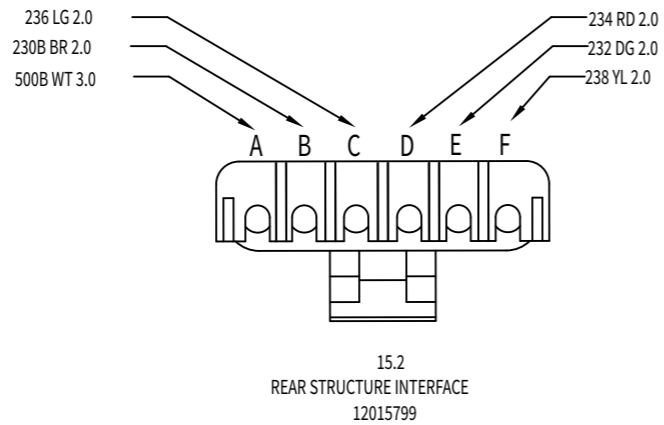
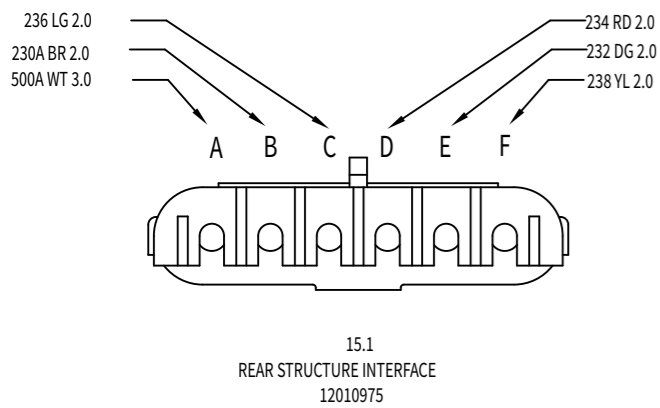
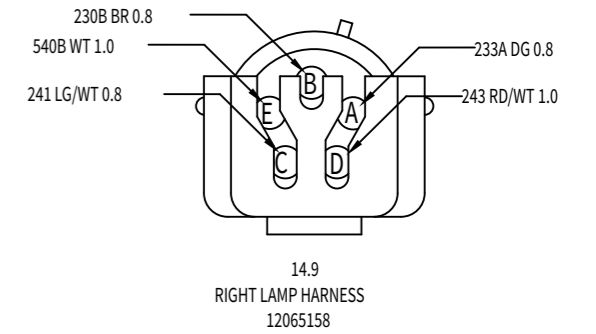
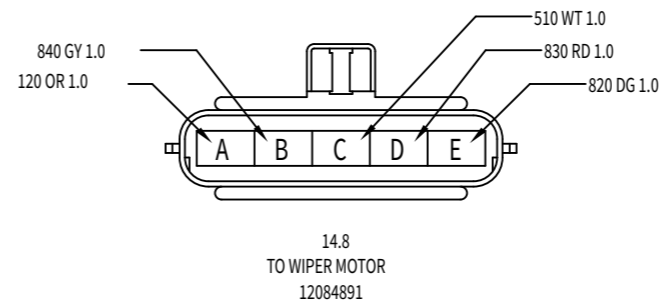
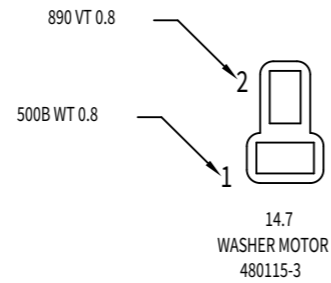
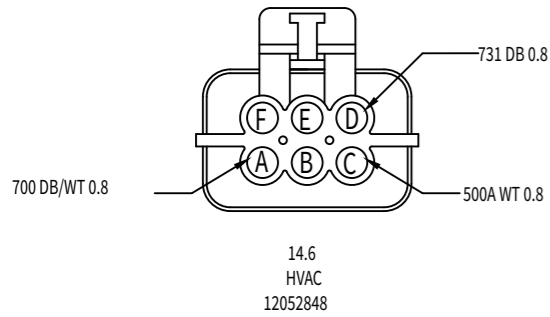
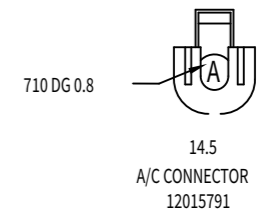
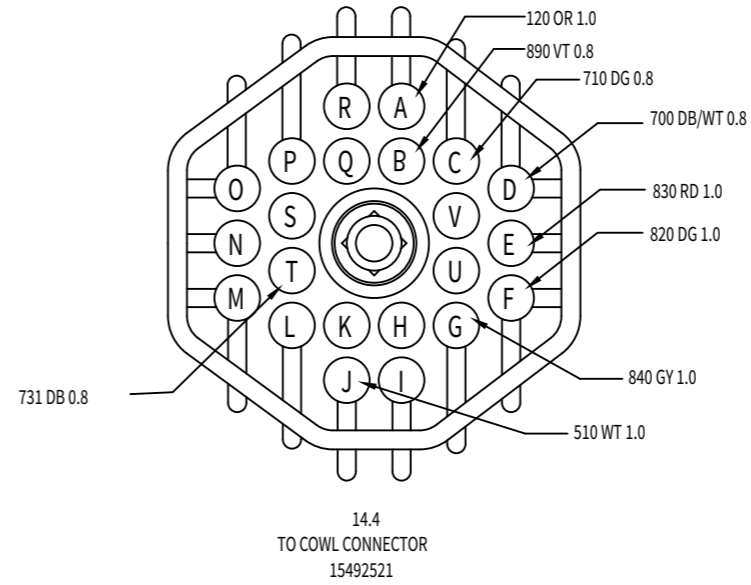
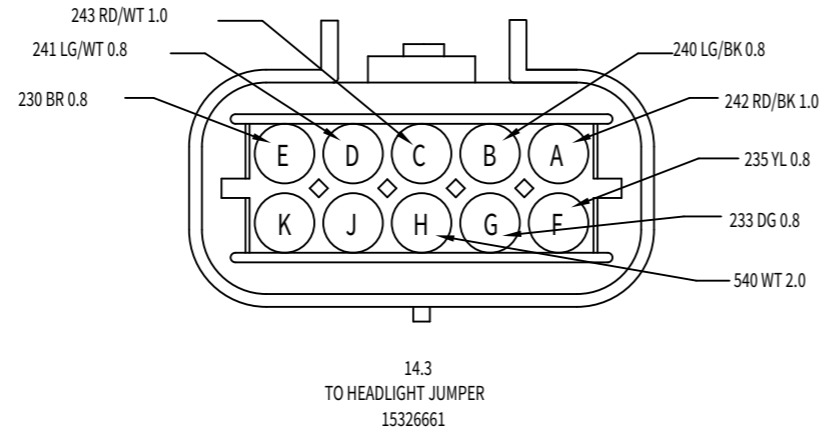
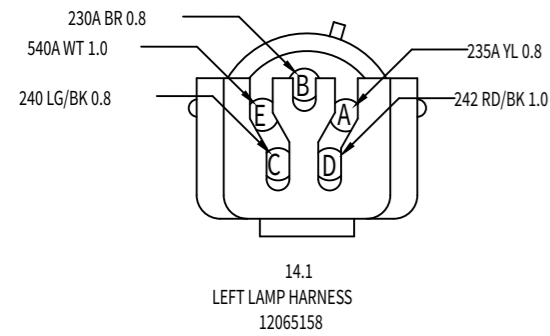


LEGEND	
[Symbol]	BATT HOT AT ALL TIMES
[Symbol]	IGN HOT IN RUN OR START
[Symbol]	ACC HOT IN ACC OR RUN

PAGE 6 OF 12

<p><b>RELEASE FOR PRODUCTION</b></p>					<p>515140</p>	<p>DATE</p>	<p>BY</p>	<p>CHECKED BY</p>	<p>APPROVED BY</p>	<p>ENGINEER</p> <p>---</p>	<p>DRAWN BY</p> <p><b>JYD</b></p>	<p>Spartan Motors USA, Inc. 603 Earthway Blvd Bristol, IN 46507</p>	<p>TITLE</p> <p><b>SCHEMATIC FREIGHTLINER MT55</b></p>
<p>REV</p>	<p>REVISIONS</p>	<p>AUTH</p>	<p>DATE</p>	<p>BY</p>	<p>CHECKED BY</p>	<p>APPROVED BY</p>	<p>ENGINEER</p> <p><b>RLC</b></p>	<p>DATE</p> <p>02/15/17</p>	<p>CAGE CODE</p> <p>36MVO</p>	<p>DWG. NUMBER</p> <p><b>58232645</b></p>	<p>DOCUMENT IS ELECTRONICALLY CONTROLLED. VERIFY REV PRIOR TO USE.</p>	<p>36MVO</p>	<p><b>A</b></p>

CONNECTOR VIEW

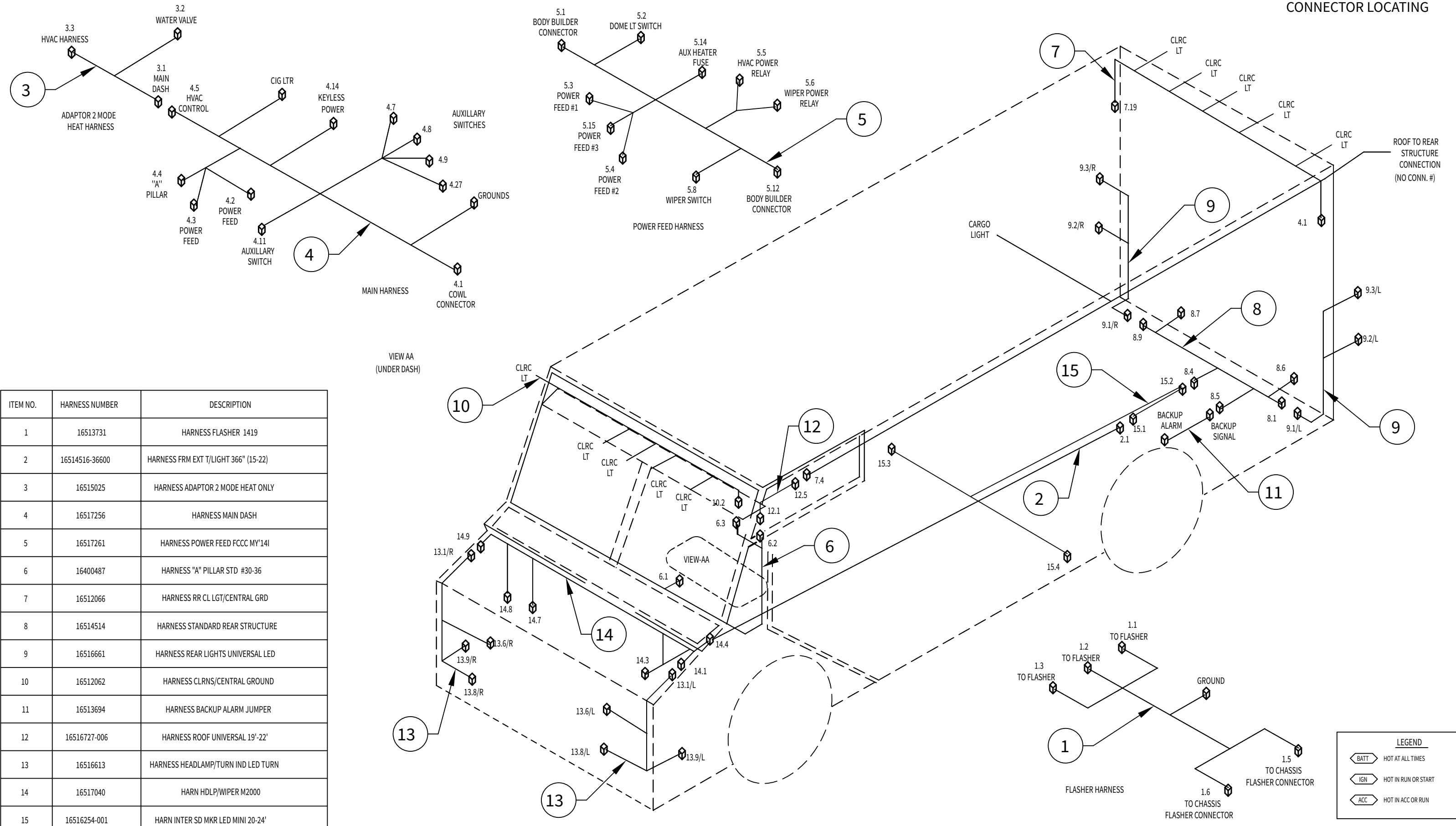


LEGEND	
[Symbol]	BATT HOT AT ALL TIMES
[Symbol]	IGN HOT IN RUN OR START
[Symbol]	ACC HOT IN ACC OR RUN

PAGE 7 OF 12	RELEASE FOR PRODUCTION				515140	DATE	BY	CHECKED BY	APPROVED BY	ENGINEER	DRAWN BY	Spartan Motors USA, Inc. 603 Earthway Blvd Bristol, IN 46507	TITLE	SCHEMATIC FREIGHTLINER MT55	CAGE CODE	DWG. NUMBER	36MVO	58232645	A
	REVISIONS	AUTH	DATE	BY	CHECKED BY	APPROVED BY	RLC	DATE	02/15/17	RLC	JYD								

THE INFORMATION CONTAINED IN THIS DRAWING IS THE SOLE PROPERTY OF SPARTAN MOTORS USA, INC. ANY REPRODUCTION IN PART OR AS A WHOLE WITHOUT THE WRITTEN PERMISSION OF SPARTAN MOTORS IS PROHIBITED. DOCUMENT IS ELECTRONICALLY CONTROLLED. VERIFY REV PRIOR TO USE.

CONNECTOR LOCATING



ITEM NO.	HARNESS NUMBER	DESCRIPTION
1	16513731	HARNESS FLASHER 1419
2	16514516-36600	HARNESS FRM EXT T/LIGHT 366" (15-22)
3	16515025	HARNESS ADAPTOR 2 MODE HEAT ONLY
4	16517256	HARNESS MAIN DASH
5	16517261	HARNESS POWER FEED FCCC MY'14I
6	16400487	HARNESS "A" PILLAR STD #30-36
7	16512066	HARNESS RR CL LGT/CENTRAL GRD
8	16514514	HARNESS STANDARD REAR STRUCTURE
9	16516661	HARNESS REAR LIGHTS UNIVERSAL LED
10	16512062	HARNESS CLRNS/CENTRAL GROUND
11	16513694	HARNESS BACKUP ALARM JUMPER
12	16516727-006	HARNESS ROOF UNIVERSAL 19'-22'
13	16516613	HARNESS HEADLAMP/TURN IND LED TURN
14	16517040	HARN HDLP/WIPER M2000
15	16516254-001	HARN INTER SD MKR LED MINI 20-24'

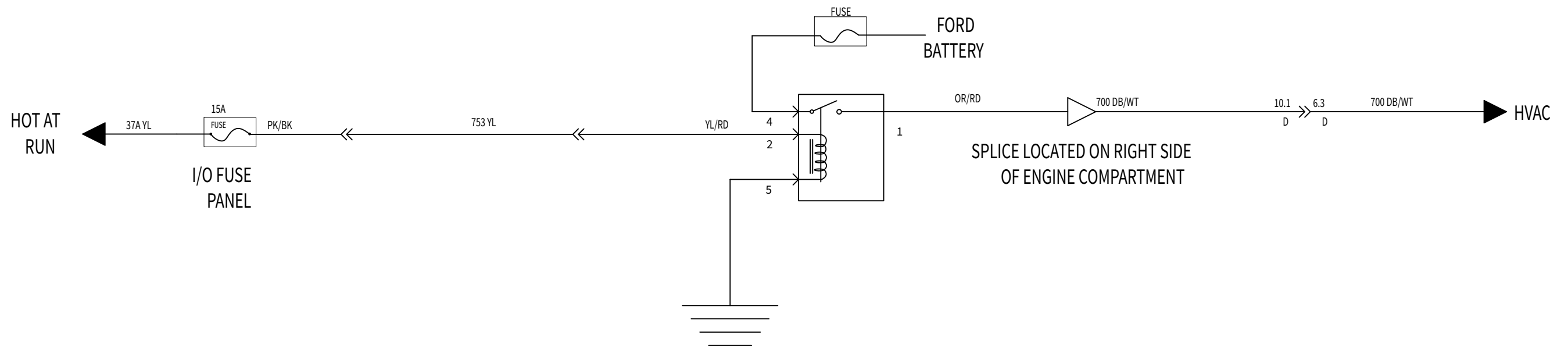
PAGE 3 OF 12

<p><b>RELEASE FOR PRODUCTION</b></p>				515140		DATE		BY		CHECKED BY		APPROVED BY		ENGINEER	DRAWN BY	Spartan Motors USA, Inc. 603 Earthway Blvd Bristol, IN 46507		TITLE
				AUTH		DATE		BY		CHECKED BY		APPROVED BY		RLC	RLC	DATE	02/15/17	CAGE CODE
<p>REVISIONS</p>																		

THE INFORMATION CONTAINED IN THIS DRAWING IS THE SOLE PROPERTY OF SPARTAN MOTORS USA, INC. ANY REPRODUCTION IN PART OR AS A WHOLE WITHOUT THE WRITTEN PERMISSION OF SPARTAN MOTORS IS PROHIBITED.

DOCUMENT IS ELECTRONICALLY CONTROLLED. VERIFY REV PRIOR TO USE.

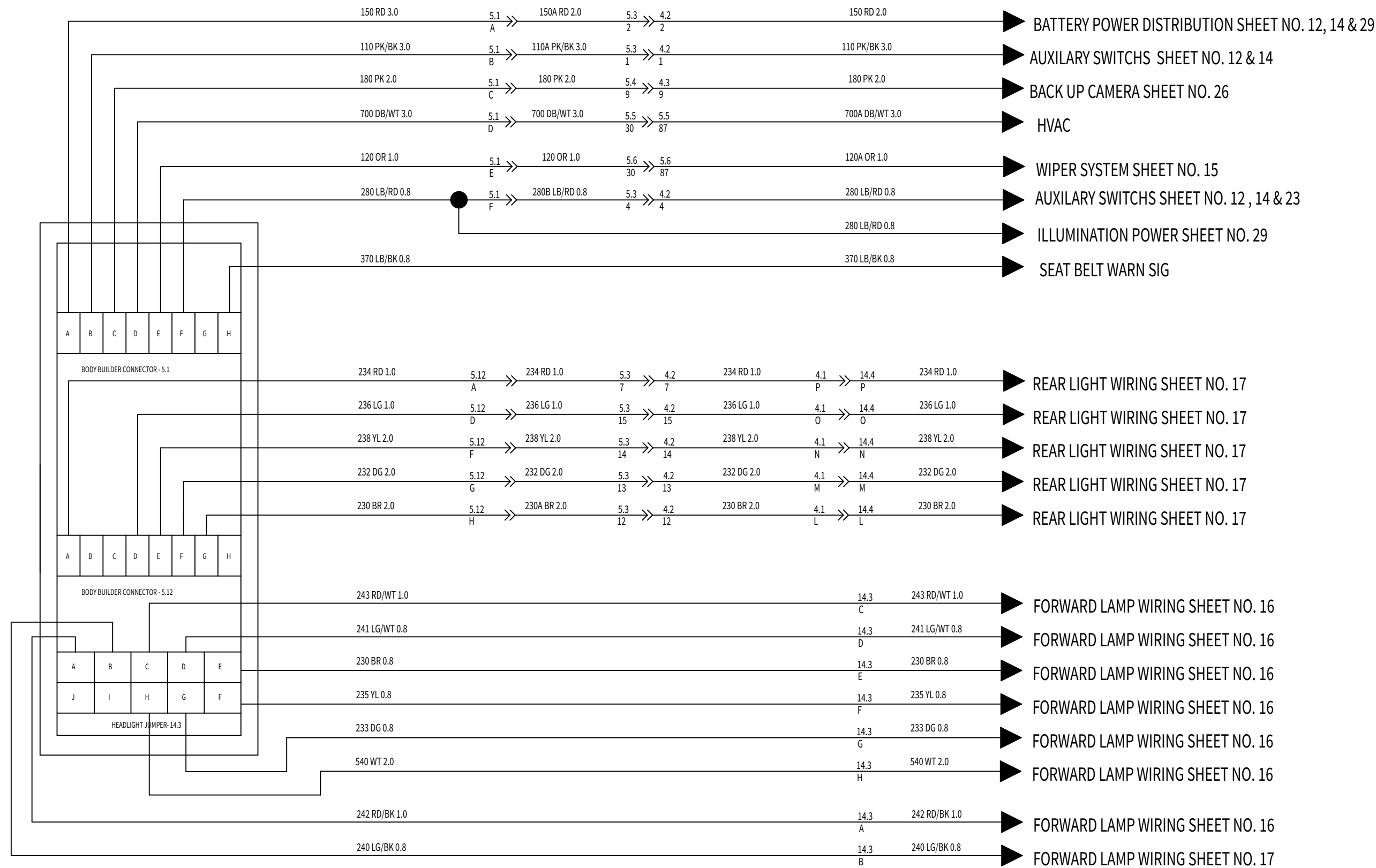
CAGE CODE: 36MVO



LEGEND	
	HOT AT ALL TIMES
	HOT IN RUN OR START
	HOT IN ACC OR RUN

PAGE 9 OF 12	REVISIONS	515140					ENGINEER ---	DRAWN BY JYD	Spartan Motors USA, Inc. 603 Earthway Blvd Bristol, IN 46507	TITLE <b>SCHEMATIC FREIGHTLINER MT55</b>
	A	RELEASE FOR PRODUCTION	AUTH	DATE	BY	CHECKED BY RLC	APPROVED BY RLC	DATE 02/15/17	THE INFORMATION CONTAINED IN THIS DRAWING IS THE SOLE PROPERTY OF SPARTAN MOTORS USA, INC. ANY REPRODUCTION IN PART OR AS A WHOLE WITHOUT THE WRITTEN PERMISSION OF SPARTAN MOTORS USA, INC. IS PROHIBITED. DOCUMENT IS ELECTRONICALLY CONTROLLED. VERIFY REV PRIOR TO USE.	CAGE CODE 36MVO





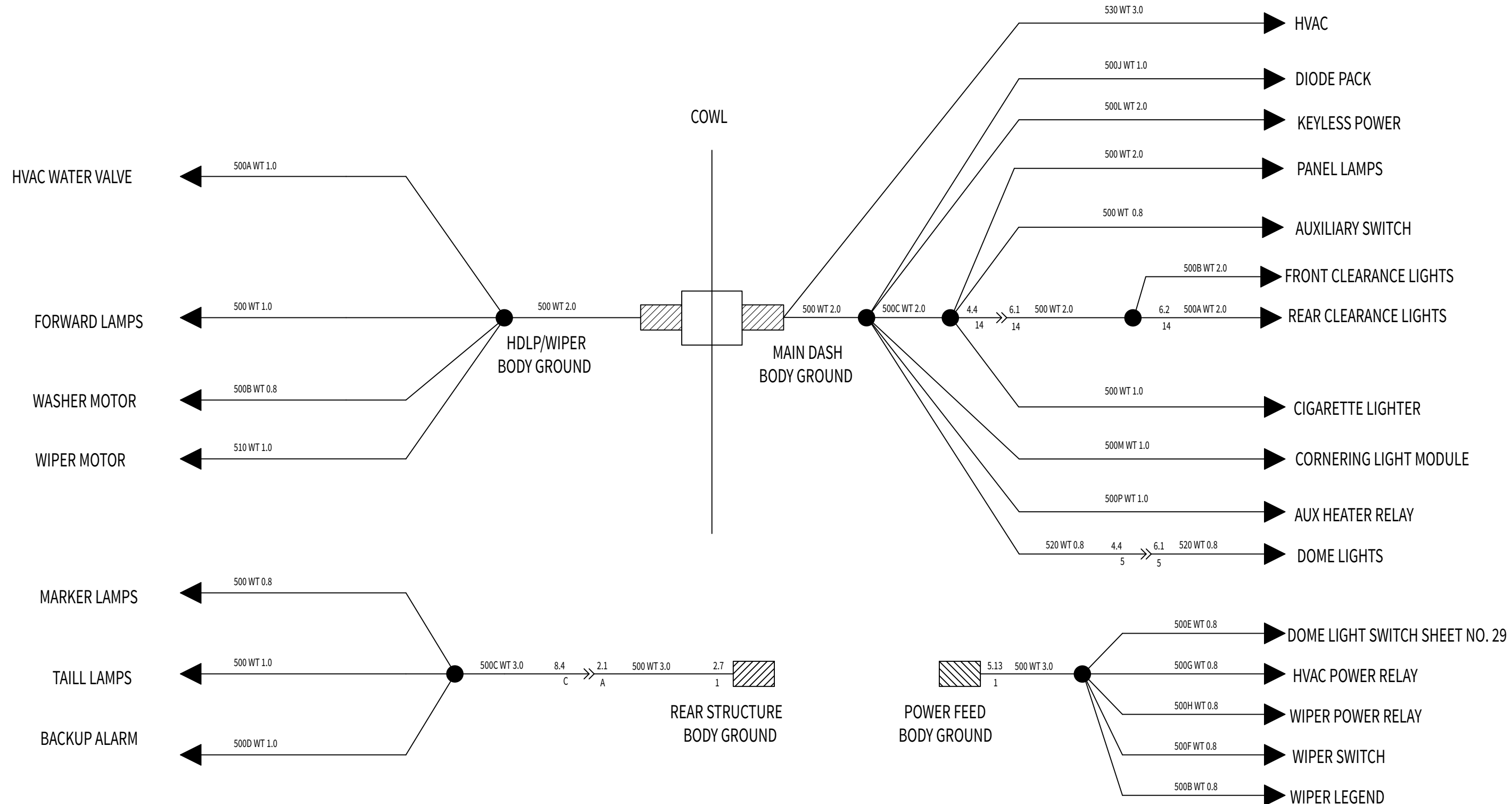
CHASSIS POWER DISTRIBUTION

LEGEND	
BATT	HOT AT ALL TIMES
IGN	HOT IN RUN OR START
ACC	HOT IN ACC OR RUN

PAGE 10 OF 12

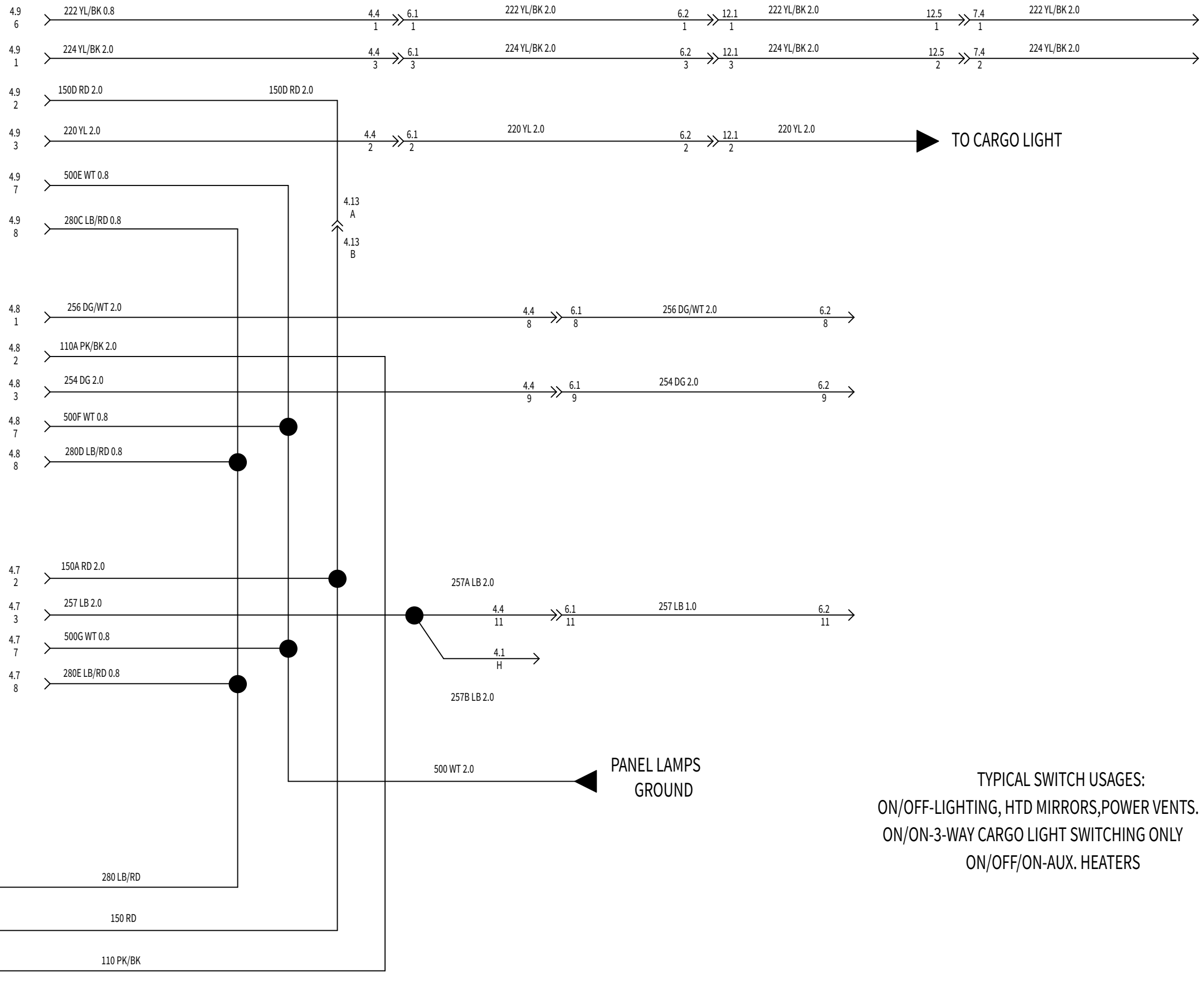
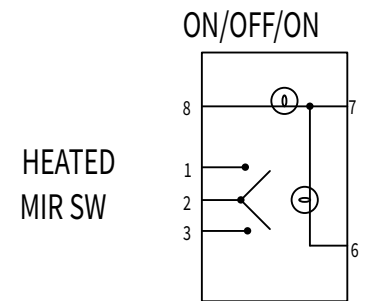
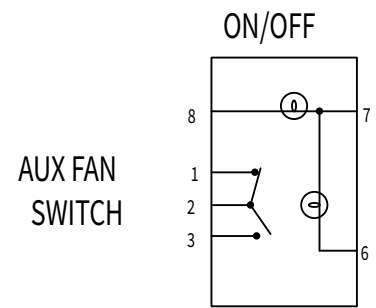
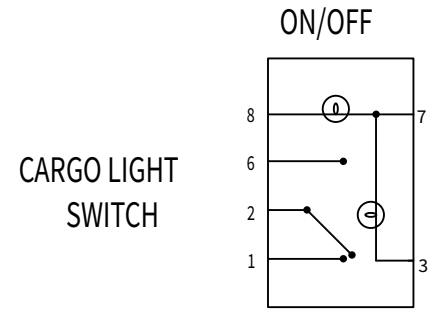
RELEASE FOR PRODUCTION				515140				ENGINEER	DRAWN BY	Spartan Motors USA, Inc. 603 Earthway Blvd Bristol, IN 46507	TITLE
REVISIONS				AUTH	DATE	BY	CHECKED BY	RLC	JYD		SCHEMATIC
							APPROVED BY		DATE	CAGE CODE	FREIGHTLINER MT55
									02/15/17	36MVO	DWG. NUMBER
											58232645
											A

THE INFORMATION CONTAINED IN THIS DRAWING IS THE SOLE PROPERTY OF SPARTAN MOTORS USA, INC. ANY REPRODUCTION IN PART OR AS A WHOLE WITHOUT THE WRITTEN PERMISSION OF SPARTAN MOTORS USA, INC. IS PROHIBITED. DOCUMENT IS ELECTRONICALLY CONTROLLED. VERIFY REV PRIOR TO USE.



LEGEND	
BATT	HOT AT ALL TIMES
IGN	HOT IN RUN OR START
ACC	HOT IN ACC OR RUN

PAGE 11 OF 12						ENGINEER	DRAWN BY	Spartan Motors USA, Inc. 603 Earthway Blvd Bristol, IN 46507		TITLE	<b>SCHEMATIC FREIGHTLINER MT55</b>	
	<b>RELEASE FOR PRODUCTION</b>					CHECKED BY	DATE	CAGE CODE		IDWG. NUMBER	58232645 A	
REV.	REVISIONS	AUTH	DATE	BY	CHECKED BY	APPROVED BY	RLC	02/15/17	36MVO	THE INFORMATION CONTAINED IN THIS DRAWING IS THE SOLE PROPERTY OF SPARTAN MOTORS USA, INC. ANY REPRODUCTION IN PART OR AS A WHOLE WITHOUT THE WRITTEN PERMISSION OF SPARTAN MOTORS USA, INC. IS PROHIBITED. DOCUMENT IS ELECTRONICALLY CONTROLLED. VERIFY REV PRIOR TO USE.		



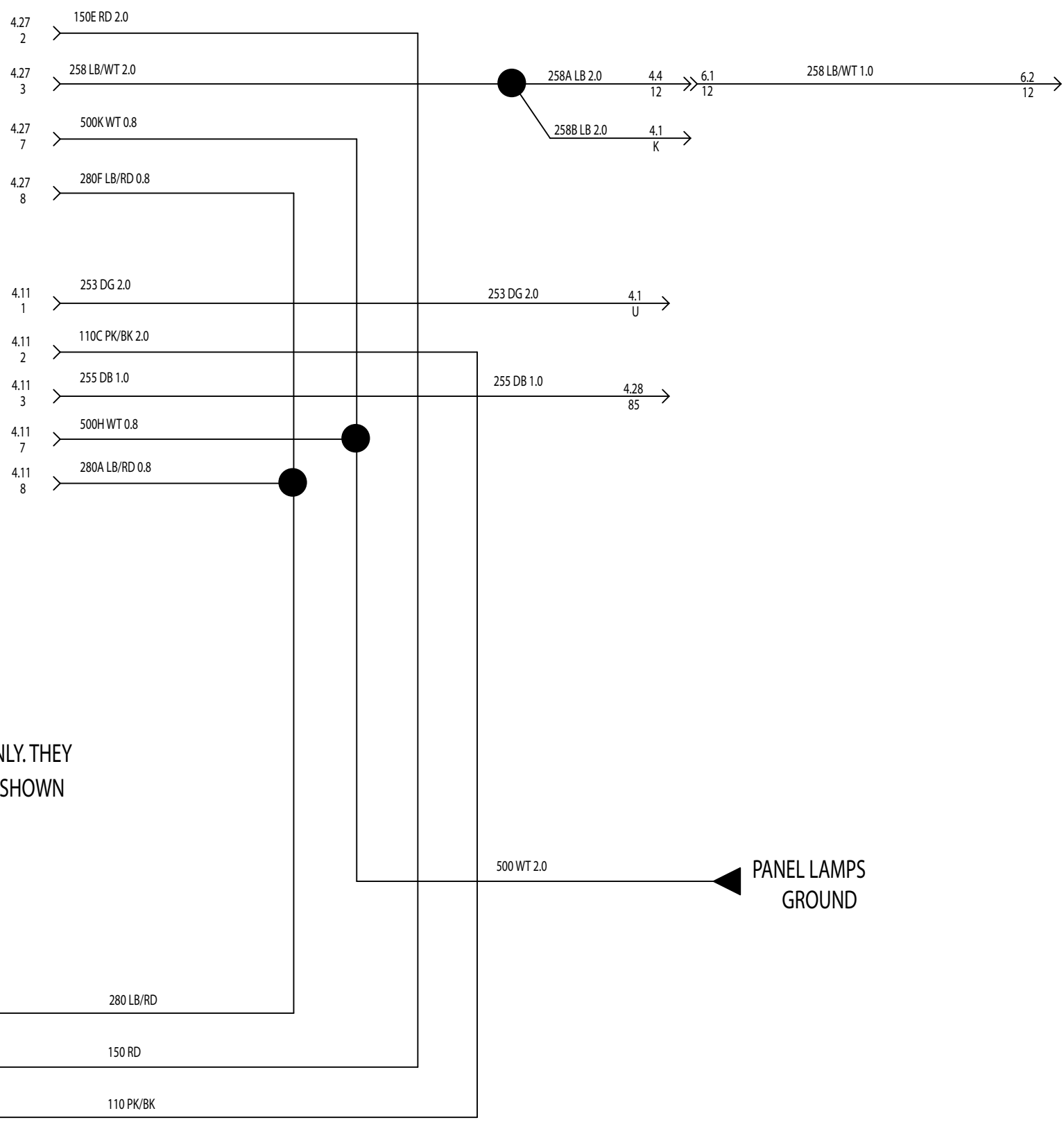
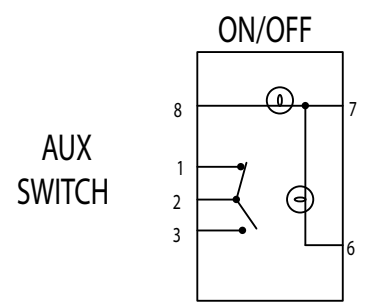
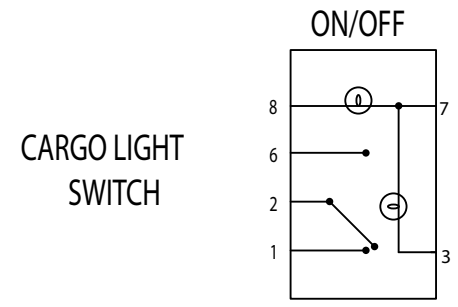
SWITCHES SHOWN ARE VISUAL  
FUNCTIONAL REASONS ONLY. THEY ARE  
NOT NECESSARILY MATCHED TO THE  
CONNECTOR # SHOWN

TYPICAL SWITCH USAGES:  
ON/OFF-LIGHTING, HTD MIRRORS, POWER VENTS.  
ON/ON-3-WAY CARGO LIGHT SWITCHING ONLY  
ON/OFF/ON-AUX. HEATERS

LEGEND	
BATT	HOT AT ALL TIMES
IGN	HOT IN RUN OR START
ACC	HOT IN ACC OR RUN

ENGINEER	---	DRAWN BY	JYD	Spartan Motors USA, Inc. 603 Earthway Blvd Bristol, IN 46507		TITLE	<b>SCHEMATIC FREIGHTLINER MT55</b>	
CHECKED BY	RLC	DATE	02/15/17	CAGE CODE	36MVO	DWG. NUMBER	<b>58232645 A</b>	
REV.	A	REVISIONS	515140	AUTH	DATE	BY	CHECKED BY	APPROVED BY

PAGE 12 OF 12

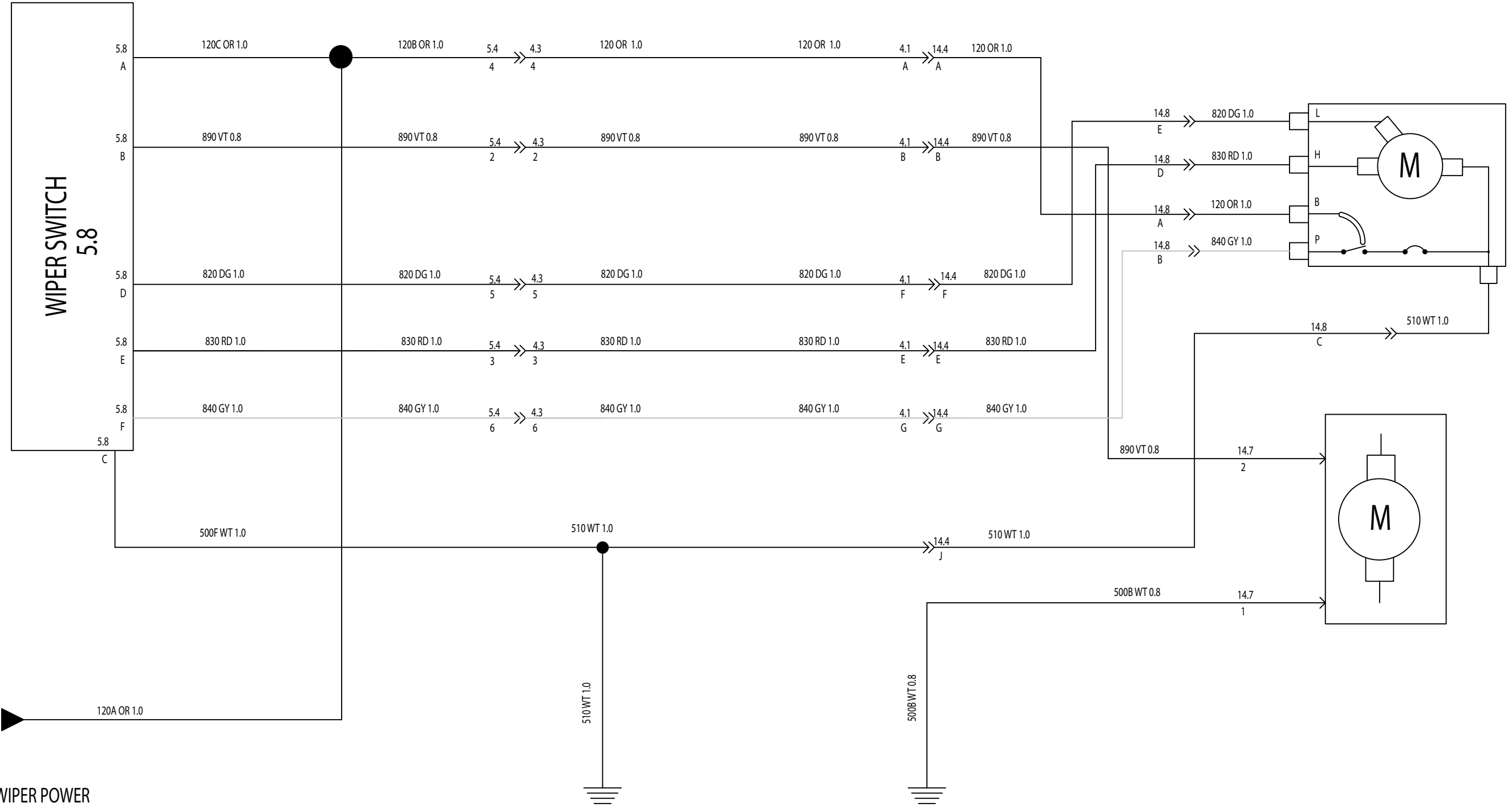


SWITCHES SHOWN ARE VISUAL FUNCTIONAL REASONS ONLY. THEY ARE NOT NECESSARILY MATCHED TO THE CONNECTOR # SHOWN

ILLUMINATION POWER DISTRIBUTION  
 POWER DISTRIBUTION  
 IGNITION POWER DISTRIBUTION

LEGEND	
	HOT AT ALL TIMES
	HOT IN RUN OR START
	HOT IN ACC OR RUN

PAGE 2 OF 12	REVISIONS	515140	DATE	BY	CHECKED BY	APPROVED BY	ENGINEER	DRAWN BY	Spartan Motors USA, Inc. 603 Earthway Blvd Bristol, IN 46507	TITLE
	A	RELEASE FOR PRODUCTION			RLC	RLC		JYD		SCHEMATIC FREIGHTLINER MT55
REV.		AUTH						02/15/17	CAGE CODE 36MVO	DWG. NUMBER 58232645



WIPER POWER SHEET NO.10

- 120 OR - WIPER POWER
- 510 WT - WIPER MOTOR GROUND
- 820 DG - LOW SPEED
- 840 GY - PARK
- 830 RD - HIGH SPEED
- 890A VT - WASHER PUMP

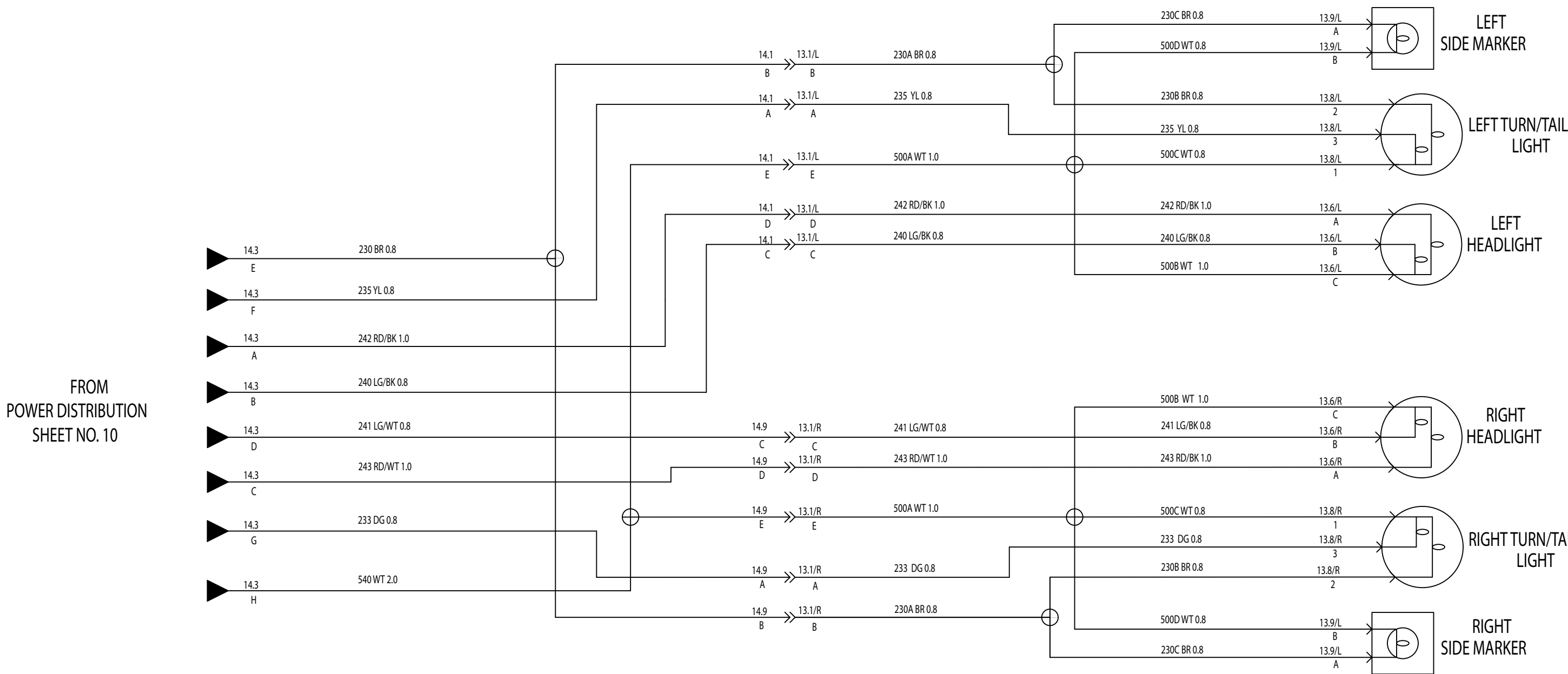
WIPER MOTOR GROUND

WASHER GROUND

LEGEND	
(BATT)	HOT AT ALL TIMES
(IGN)	HOT IN RUN OR START
(ACC)	HOT IN ACC OR RUN

PAGE 3 OF 12

RELEASE FOR PRODUCTION				515140				ENGINEER	DRAWN BY	Spartan Motors USA, Inc. 603 Earthway Blvd Bristol, IN 46507	TITLE	
REV.	REVISIONS	AUTH	DATE	BY	CHECKED BY	APPROVED BY	DATE	RLC	JYD	02/15/17	36MVO	SCHMATIC FREIGHTLINER MT55
THE INFORMATION CONTAINED IN THIS DRAWING IS THE SOLE PROPERTY OF SPARTAN MOTORS USA, INC. ANY REPRODUCTION IN PART OR AS A WHOLE WITHOUT THE WRITTEN PERMISSION OF SPARTAN MOTORS IS PROHIBITED. DOCUMENT IS ELECTRONICALLY CONTROLLED. VERIFY REV PRIOR TO USE.										DWG. NUMBER	58232645	



FROM  
 POWER DISTRIBUTION  
 SHEET NO. 10

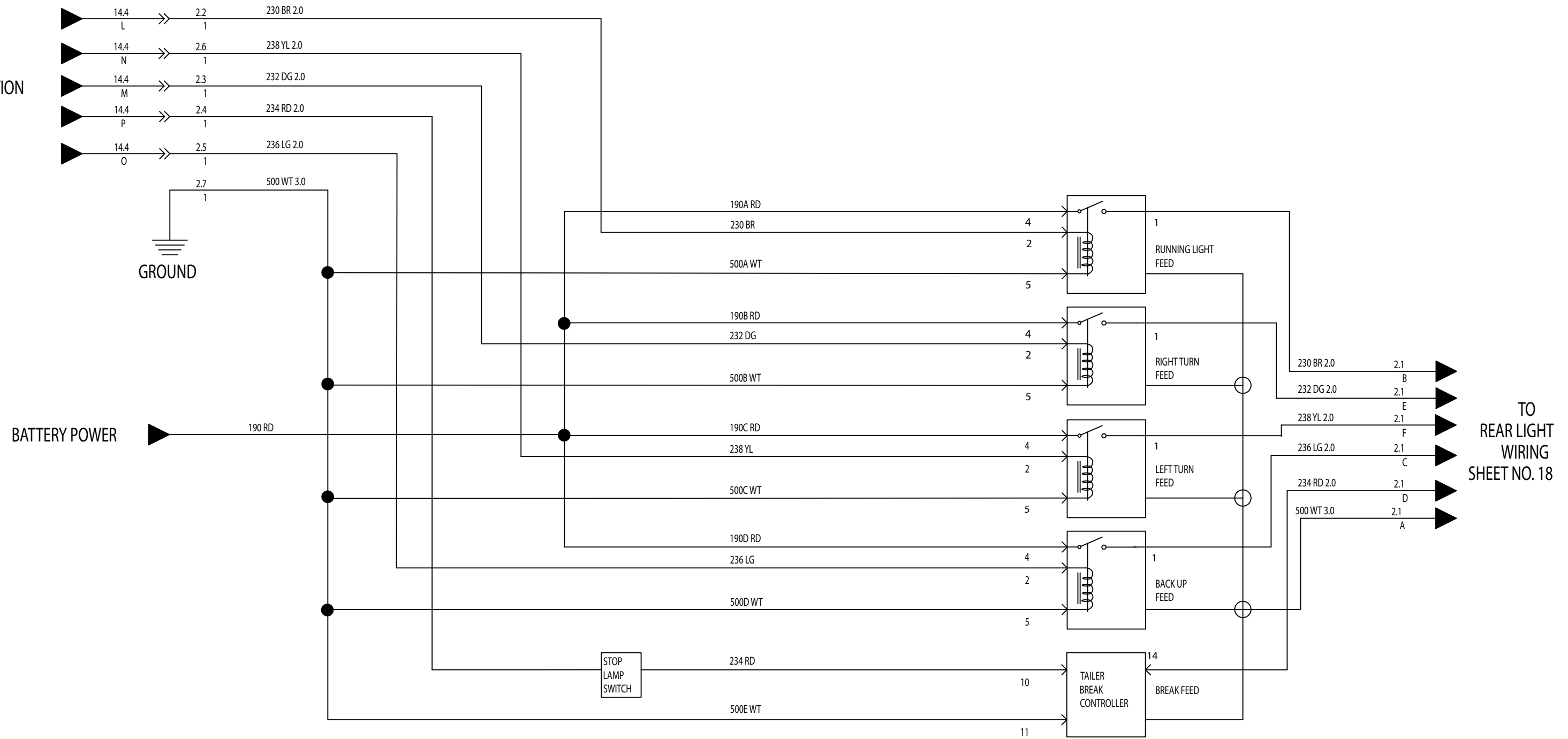
LEGEND	
	HOT AT ALL TIMES
	HOT IN RUN OR START
	HOT IN ACC OR RUN

PAGE 4 OF 12	A <b>RELEASE FOR PRODUCTION</b>					515140	DATE	BY	CHECKED BY	APPROVED BY	ENGINEER	DRAWN BY	Spartan Motors USA, Inc. 603 Earthway Blvd Bristol, IN 46507		TITLE	<b>SCHEMATIC FREIGHTLINER MT55</b>	
	REV.	REVISIONS					AUTH				RLC	RLC	JYD	DATE	02/15/17	CAGE CODE	DWG. NUMBER

THE INFORMATION CONTAINED IN THIS DRAWING IS THE SOLE PROPERTY OF SPARTAN MOTORS USA, INC. ANY REPRODUCTION IN PART OR AS A WHOLE WITHOUT THE WRITTEN PERMISSION OF SPARTAN MOTORS USA, INC. IS PROHIBITED. DOCUMENT IS ELECTRONICALLY CONTROLLED. VERIFY REV PRIOR TO USE.

REAR LIGHT WIRING-STANDARD

FROM  
POWER DISTRIBUTION  
SHEET NO. 10



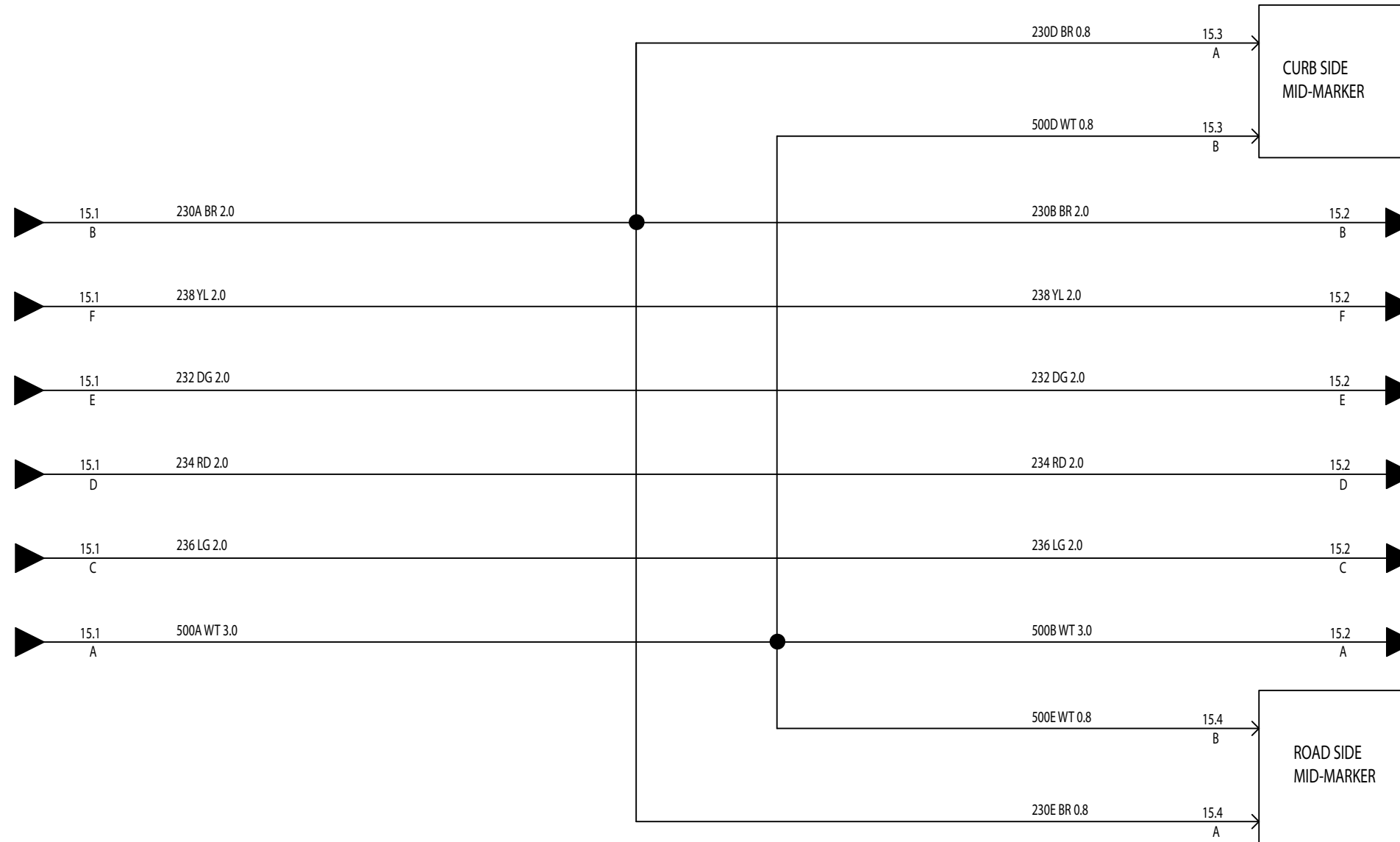
TO  
REAR LIGHT  
WIRING  
SHEET NO. 18

LEGEND	
	HOT AT ALL TIMES
	HOT IN RUN OR START
	HOT IN ACC OR RUN

PAGE 5 OF 12	A	RELEASE FOR PRODUCTION	515140	AUTH	DATE	BY	CHECKED BY	APPROVED BY	ENGINEER	DRAWN BY	Spartan Motors USA, Inc. 603 Earthway Blvd Bristol, IN 46507	TITLE	
									---	JYD		SCHEMATIC	
REV.		REVISIONS							CHECKED BY	DATE	THE INFORMATION CONTAINED IN THIS DRAWING IS THE SOLE PROPERTY OF SPARTAN MOTORS USA, INC. ANY REPRODUCTION IN PART OR AS A WHOLE WITHOUT THE WRITTEN PERMISSION OF SPARTAN MOTORS USA, INC. IS PROHIBITED. DOCUMENT IS ELECTRONICALLY CONTROLLED. VERIFY REV PRIOR TO USE.	CAGE CODE	DWG. NUMBER
									RLC	02/15/17	36MVO	58232645	A

REAR LIGHT WIRING-STANDARD

FROM  
REAR LIGHT WIRING  
SHEET NO. 17



TO  
REAR LIGHT WIRING  
SHEET NO. 19

LEGEND	
	HOT AT ALL TIMES
	HOT IN RUN OR START
	HOT IN ACC OR RUN

PAGE 6 OF 12	REVISIONS	AUTH	DATE	BY	CHECKED BY	APPROVED BY	ENGINEER	DRAWN BY	DATE	CAGE CODE	DWG. NUMBER	TITLE
	A	515140			RLC	RLC	---	JYD	02/15/17	36MVO	58232645	SCHEMATIC FREIGHTLINER MT55

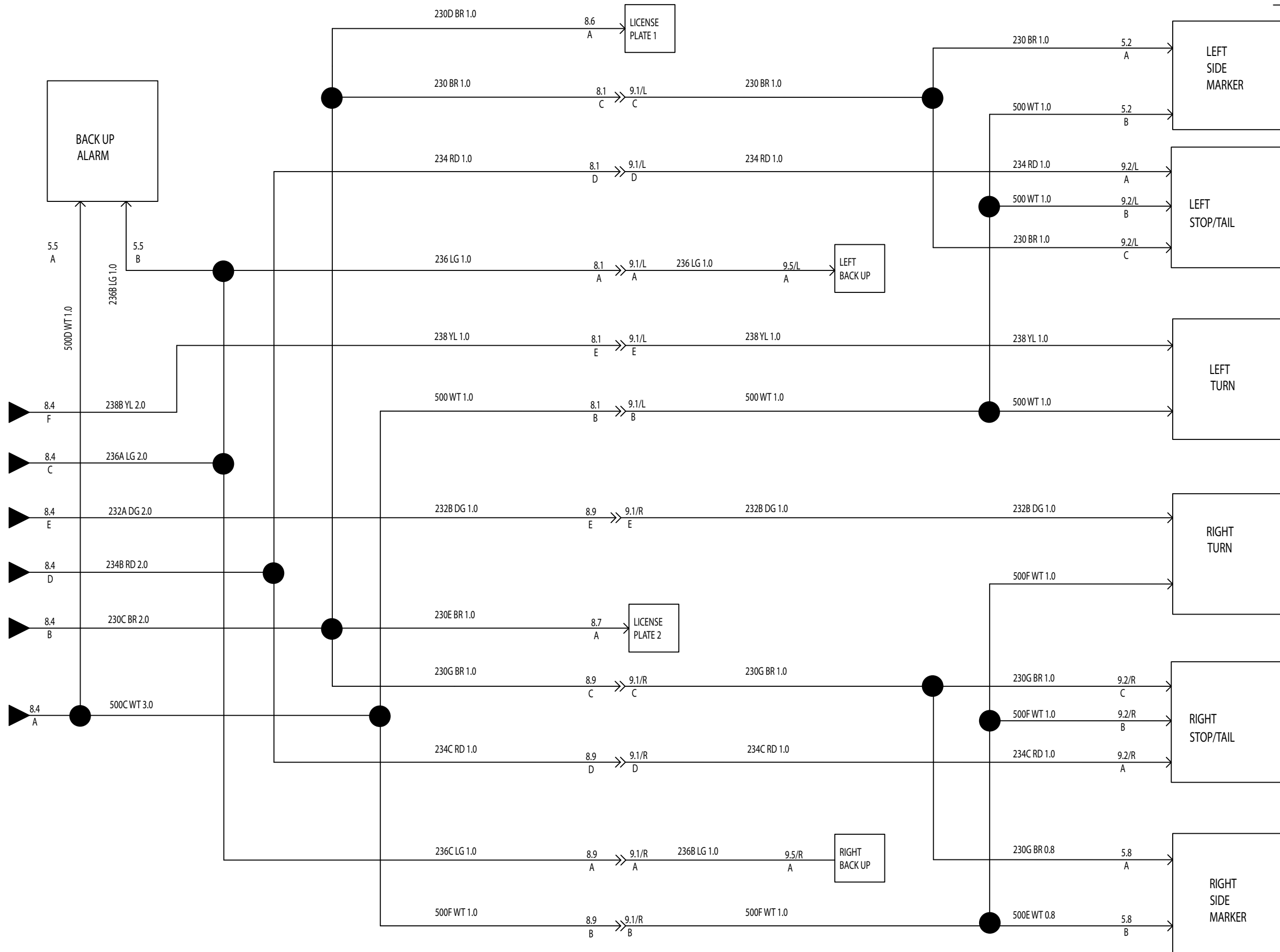
RELEASE FOR PRODUCTION

THE INFORMATION CONTAINED IN THIS DRAWING IS THE SOLE PROPERTY OF SPARTAN MOTORS USA, INC. ANY REPRODUCTION IN PART OR AS A WHOLE WITHOUT THE WRITTEN PERMISSION OF SPARTAN MOTORS USA, INC. IS PROHIBITED. DOCUMENT IS ELECTRONICALLY CONTROLLED. VERIFY REV PRIOR TO USE.

Spartan Motors USA, Inc.  
603 Earthway Blvd  
Bristol, IN 46507



REAR LIGHT WIRING-STANDARD



**LEGEND**

BATT	HOT AT ALL TIMES
IGN	HOT IN RUN OR START
ACC	HOT IN ACC OR RUN

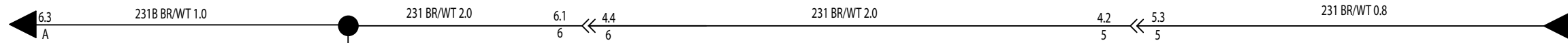
PAGE 7 OF 12

<b>RELEASE FOR PRODUCTION</b>					515140				ENGINEER ---	DRAWN BY <b>JYD</b>	Spartan Motors USA, Inc. 603 Earthway Blvd Bristol, IN 46507	TITLE <b>SCHEMATIC FREIGHTLINER MT55</b>
REV.	REVISIONS	AUTH	DATE	BY	CHECKED BY	APPROVED BY	CHECKED BY <b>RLC</b>	DATE 02/15/17	<small>THE INFORMATION CONTAINED IN THIS DRAWING IS THE SOLE PROPERTY OF SPARTAN MOTORS USA, INC. ANY REPRODUCTION IN PART OR AS A WHOLE WITHOUT THE WRITTEN PERMISSION OF SPARTAN MOTORS USA, INC. IS PROHIBITED. DOCUMENT IS ELECTRONICALLY CONTROLLED. VERIFY REV PRIOR TO USE.</small>		CAGE CODE 36MVO	DWG. NUMBER <b>58232645</b>

A

CLEARANCE LIGHT SYSTEM

TO  
FRONT CLEARANCE LIGHT  
SHEET NO. 21

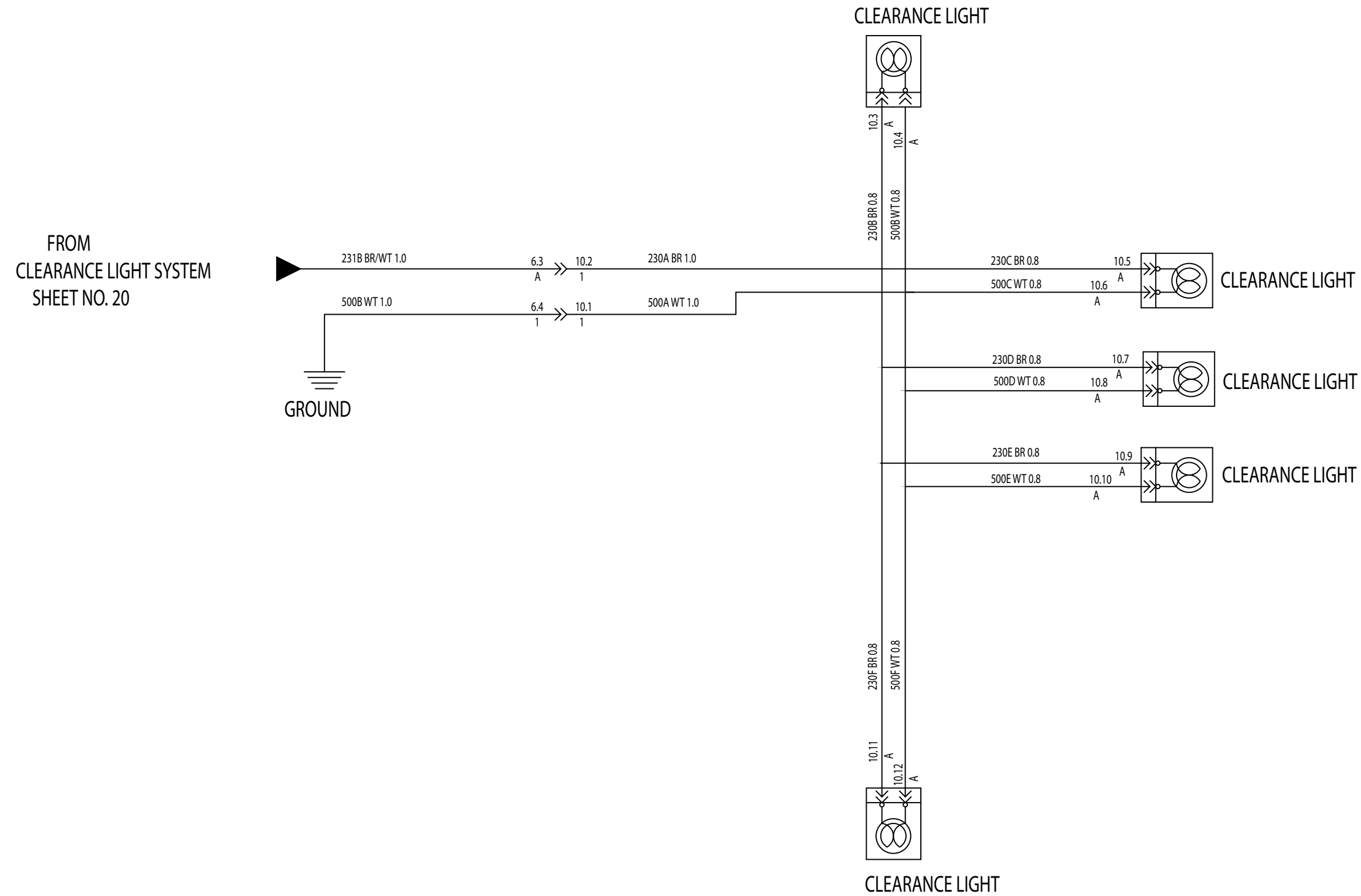


CLEARANCE LIGHTS  
POWER FEED

TO  
REAR CLEARANCE LIGHT  
SHEET NO. 22

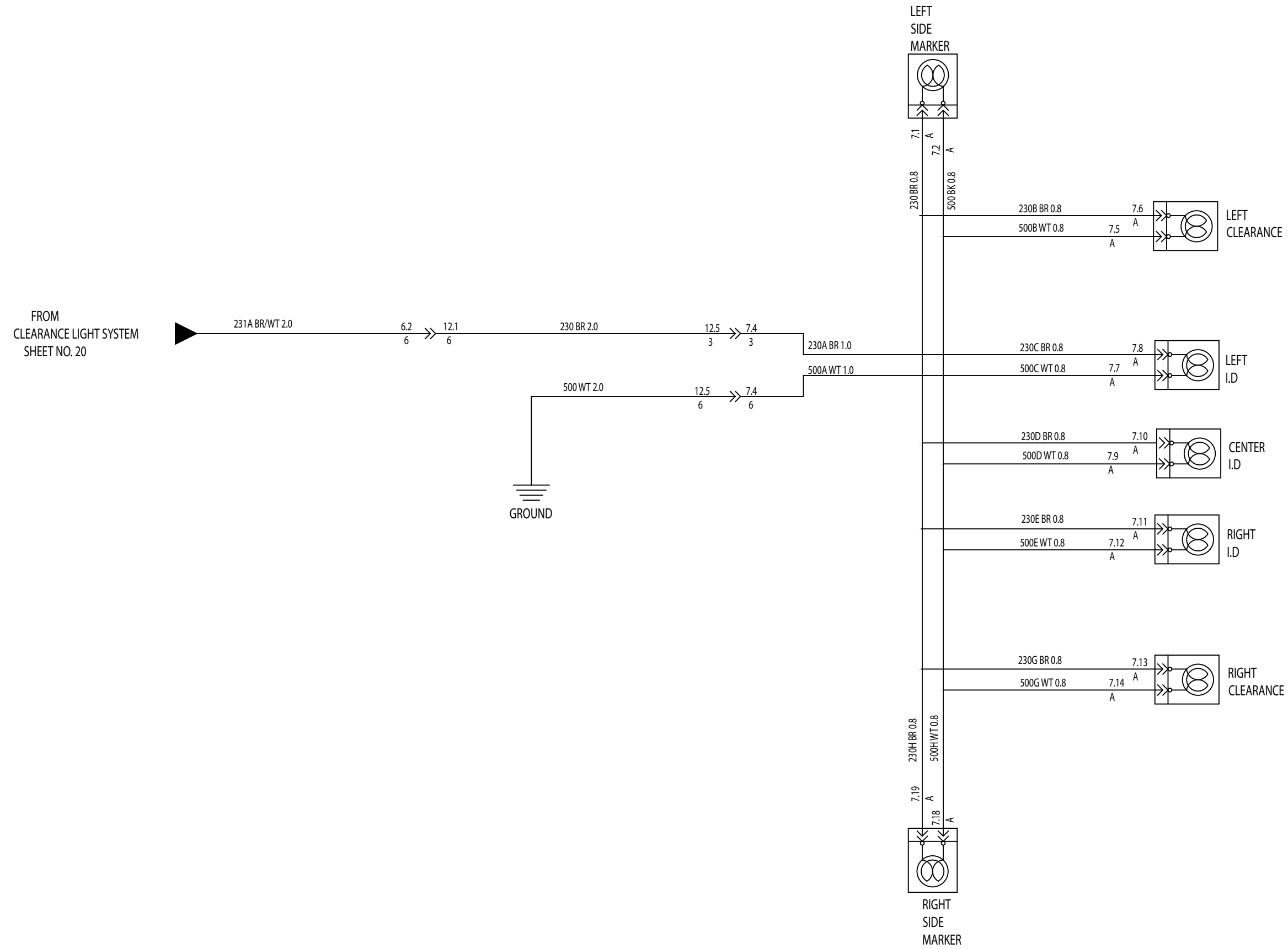
LEGEND	
	HOT AT ALL TIMES
	HOT IN RUN OR START
	HOT IN ACC OR RUN

PAGE 8 OF 12	REVISIONS	515140					ENGINEER ---	DRAWN BY JYD	Spartan Motors USA, Inc. 603 Earthway Blvd Bristol, IN 46507	TITLE <b>SCHEMATIC FREIGHTLINER MT55</b>	
	A	RELEASE FOR PRODUCTION	AUTH	DATE	BY	CHECKED BY RLC	APPROVED BY RLC	DATE 02/15/17	THE INFORMATION CONTAINED IN THIS DRAWING IS THE SOLE PROPERTY OF SPARTAN MOTORS USA, INC. ANY REPRODUCTION IN PART OR AS A WHOLE WITHOUT THE WRITTEN PERMISSION OF SPARTAN MOTORS IS PROHIBITED. DOCUMENT IS ELECTRONICALLY CONTROLLED. VERIFY REV PRIOR TO USE.	CAGE CODE 36MVO	DWG. NUMBER <b>58232645</b>



LEGEND	
	HOT AT ALL TIMES
	HOT IN RUN OR START
	HOT IN ACC OR RUN

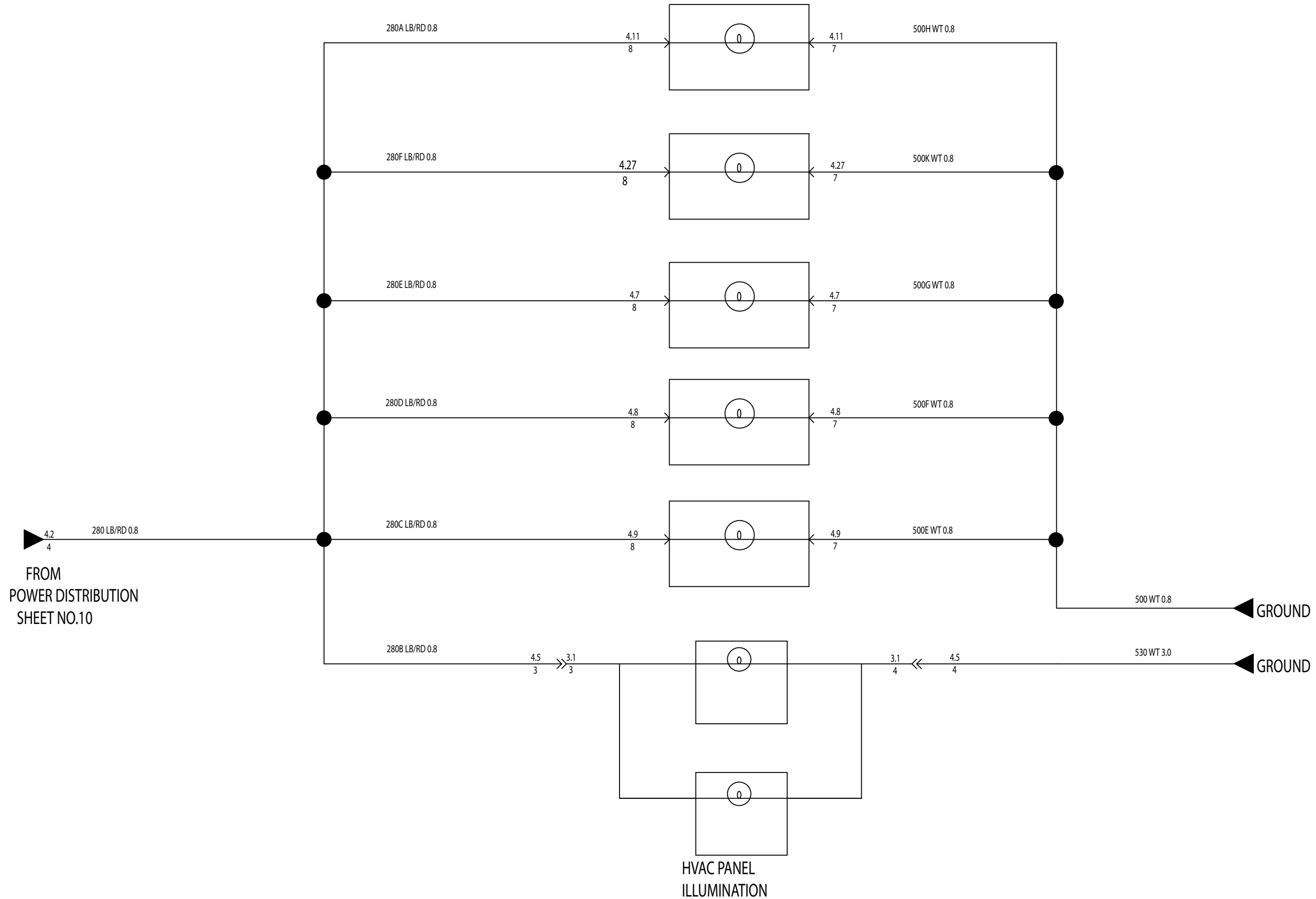
PAGE 9 OF 12	REVISIONS	515140				ENGINEER ---	DRAWN BY <b>JYD</b>	Spartan Motors USA, Inc. 603 Earthway Blvd Bristol, IN 46507	TITLE <b>SCHEMATIC FREIGHTLINER MT55</b>	
	<b>A</b>	<b>RELEASE FOR PRODUCTION</b>	AUTH	DATE	BY	CHECKED BY <b>RLC</b>	APPROVED BY <b>RLC</b>	DATE 02/15/17	CAGE CODE 36MVO	DWG. NUMBER <b>58232645</b>



LEGEND	
	HOT AT ALL TIMES
	HOT IN RUN OR START
	HOT IN ACC OR RUN

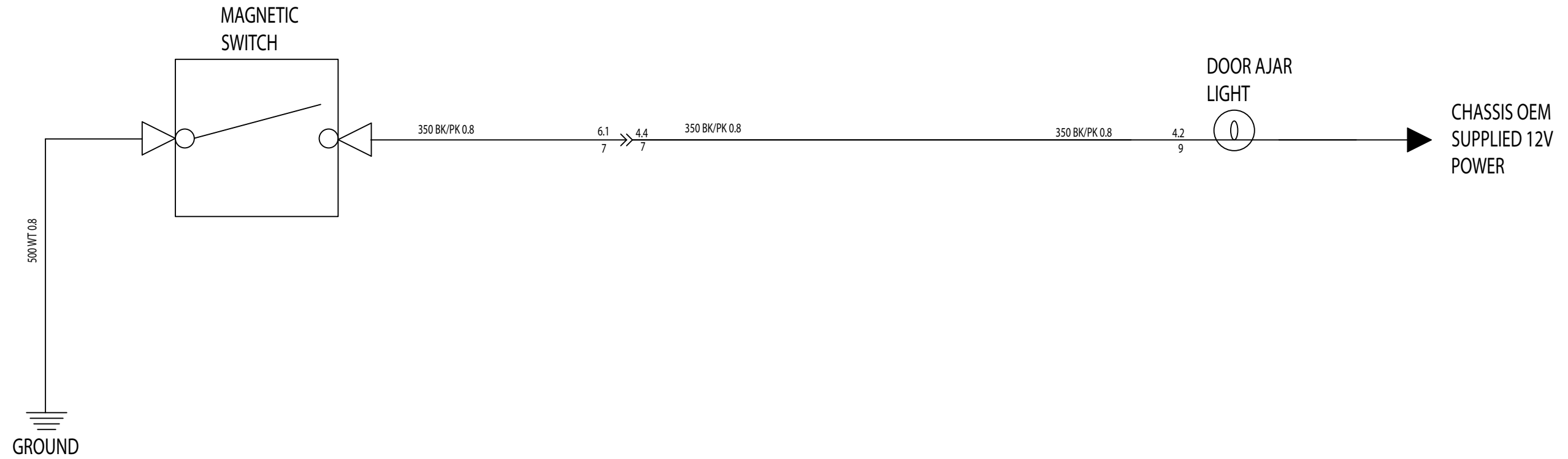
PAGE 10 OF 12	REVISIONS	515140				ENGINEER	DRAWN BY	Spartan Motors USA, Inc. 603 Earthway Blvd Bristol, IN 46507	TITLE	CAGE CODE	DWG. NUMBER
	A	RELEASE FOR PRODUCTION	AUTH	DATE	BY	CHECKED BY	APPROVED BY				
REV.						RLC	RLC				A

THE INFORMATION CONTAINED IN THIS DRAWING IS THE SOLE PROPERTY OF SPARTAN MOTORS USA, INC. ANY REPRODUCTION IN PART OR AS A WHOLE WITHOUT THE WRITTEN PERMISSION OF SPARTAN MOTORS USA, INC. IS PROHIBITED. DOCUMENT IS ELECTRONICALLY CONTROLLED. VERIFY REV PRIOR TO USE.



LEGEND	
	HOT AT ALL TIMES
	HOT IN RUN OR START
	HOT IN ACC OR RUN

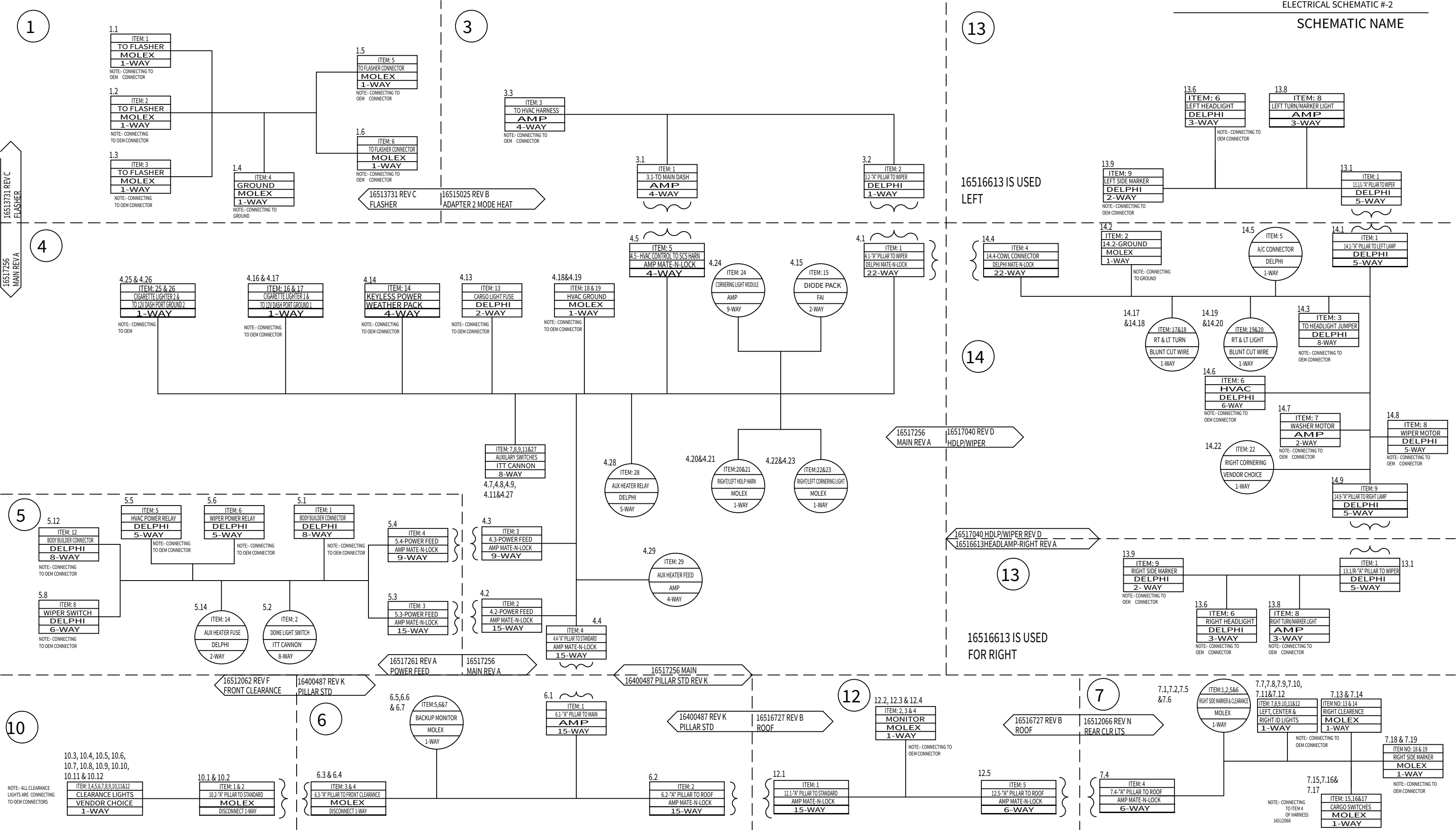
PAGE 11 OF 12	REVISIONS					515140	DATE	BY	CHECKED BY	APPROVED BY	ENGINEER	DRAWN BY	Spartan Motors USA, Inc. 603 Earthway Blvd Bristol, IN 46507	TITLE
	A RELEASE FOR PRODUCTION					AUTH				RLC	RLC	JYD	DATE	SCHEMATIC FREIGHTLINER MT55
												02/15/17	CAGE CODE	DWG. NUMBER
													36MVO	58232645 A



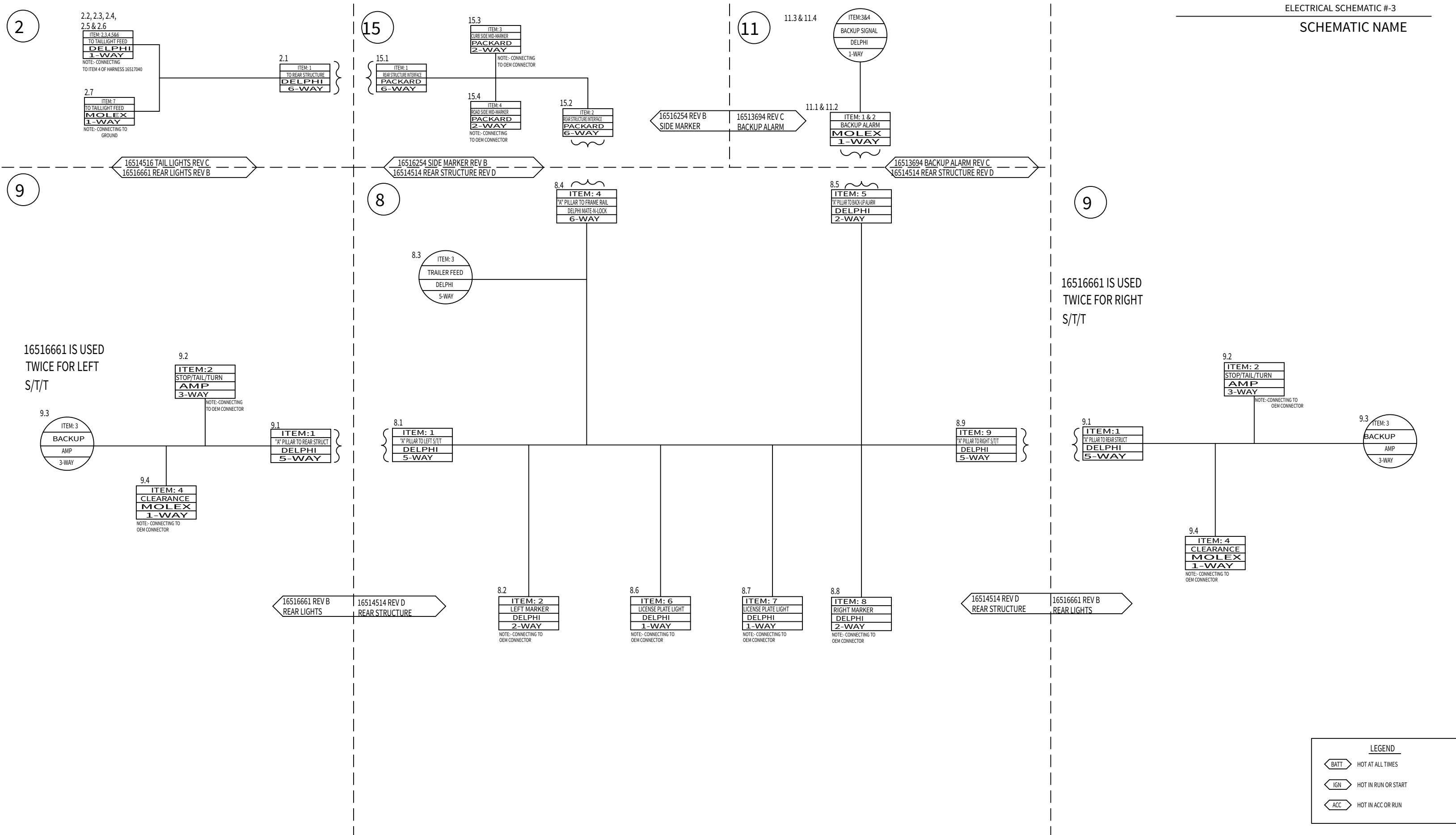
LEGEND	
	HOT AT ALL TIMES
	HOT IN RUN OR START
	HOT IN ACC OR RUN

PAGE 12 OF 12	REVISIONS	515140					ENGINEER ---	DRAWN BY <b>JYD</b>	Spartan Motors USA, Inc. 603 Earthway Blvd Bristol, IN 46507	TITLE <b>SCHEMATIC FREIGHTLINER MT55</b>	
	A	RELEASE FOR PRODUCTION	AUTH	DATE	BY	CHECKED BY	APPROVED BY <b>RLC</b>	DATE 02/15/17	THE INFORMATION CONTAINED IN THIS DRAWING IS THE SOLE PROPERTY OF SPARTAN MOTORS USA, INC. ANY REPRODUCTION IN PART OR AS A WHOLE WITHOUT THE WRITTEN PERMISSION OF SPARTAN MOTORS IS PROHIBITED. DOCUMENT IS ELECTRONICALLY CONTROLLED. VERIFY REV PRIOR TO USE.	CAGE CODE 36MVO	DWG. NUMBER <b>58232645</b>

SCHEMATIC NAME



ENGINEER	---	DRAWN BY	JYD	Spartan Motors USA, Inc. 603 Earthway Blvd Bristol, IN 46507		TITLE	<b>HARNESS LAYOUT FREIGHTLINER MT55</b>	
CHECKED BY	RLC	DATE	02/15/17	CAGE CODE	36MVO	DWG. NUMBER	<b>58232645</b>	
<b>RELEASE FOR PRODUCTION</b>				<b>515140</b>		<b>A</b>		
REV.	REVISIONS		AUTH	DATE	BY	CHECKED BY	APPROVED BY	



PAGE 3 OF 3	REV. A	RELEASE FOR PRODUCTION	515140						ENGINEER	DRAWN BY	Spartan Motors USA, Inc. 603 Earthway Blvd Bristol, IN 46507	TITLE
		REVISIONS	AUTH	DATE	BY	CHECKED BY	APPROVED BY	RLC	RLC	JYD	DATE	HARNES LAYOUT FREIGHTLINER MT55
										02/15/17	CAGE CODE	DWG. NUMBER
											36MVO	58232645 A

THE INFORMATION CONTAINED IN THIS DRAWING IS THE SOLE PROPERTY OF SPARTAN MOTORS USA, INC. ANY REPRODUCTION IN PART OR AS A WHOLE WITHOUT THE WRITTEN PERMISSION OF SPARTAN MOTORS IS PROHIBITED. DOCUMENT IS ELECTRONICALLY CONTROLLED. VERIFY REV PRIOR TO USE.