

DRAWING INDEX

CONNECTOR LOADING DIAGRAMS.....3  
 CONNECTOR LOCATING DIAGRAM.....4  
 CLEARANCE LIGHT SYSTEM.....5  
 INTERMEDIATE TURN SIGNAL.....6  
 BACK UP CAMERA SYSTEM.....7  
 REAR LIGHT WIRING-STANDARD.....8  
 DOME/CAM SYSTEM.....9  
 GEOTAB.....10  
 REAR SENSOR SYSTEM.....11  
 SOLAR CONTROLLER.....12

NOTES:

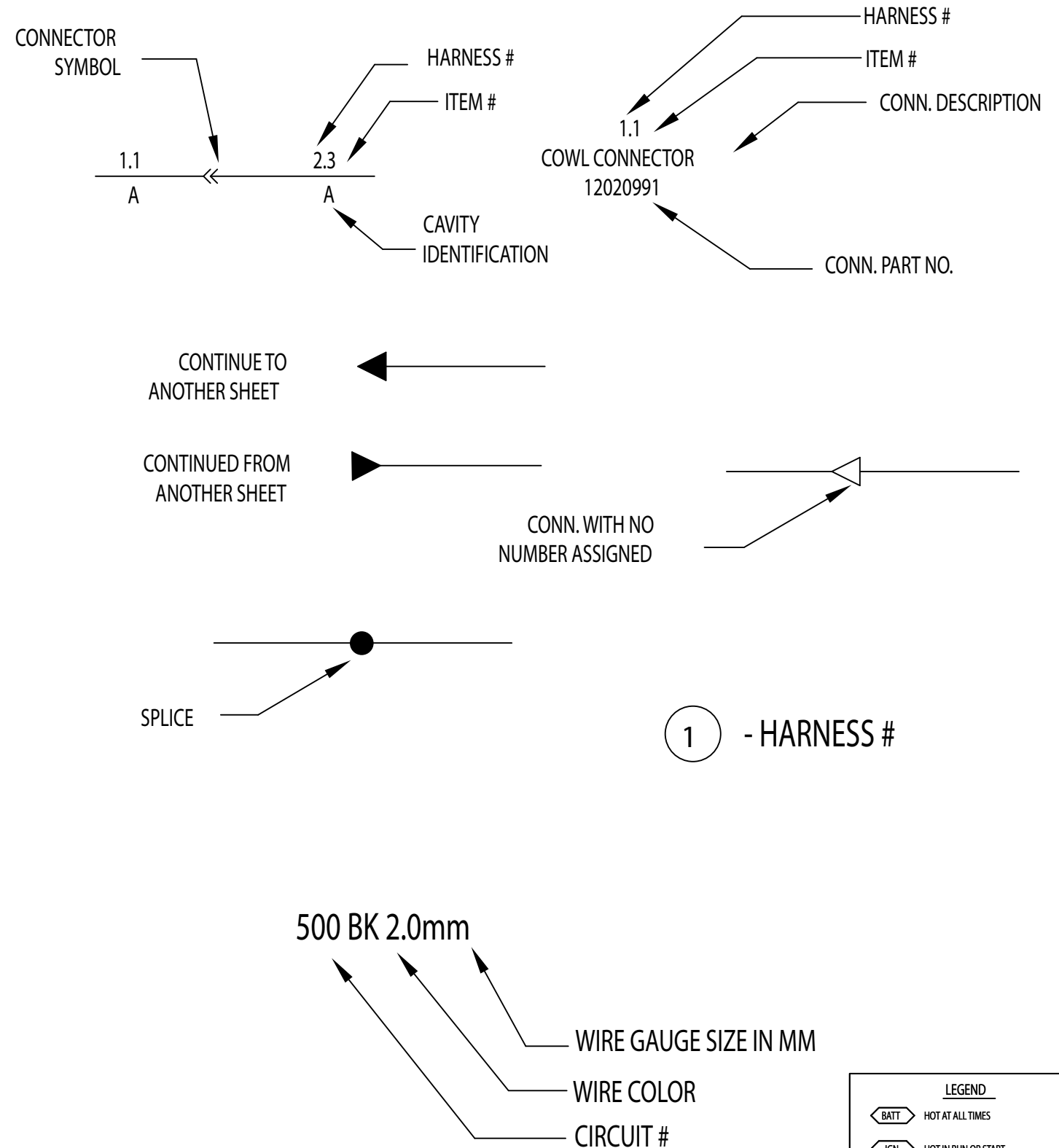
- 1) ALL CONNECTORS ARE SHOWN IN THE LOAD POSITION.
- 2) SPECIAL CUSTOMER OPTIONS MAY NOT BE COVERED BY THESE DIAGRAMS.

WIRE COLOR CODE:

- BK - BLACK
- BR - BROWN
- DB - DARK BLUE
- DG - DARK GREEN
- GY - GRAY
- LB - LIGHT BLUE
- LG - LIGHT GREEN
- OR - ORANGE
- PK - PINK
- RD - RED
- YL - YELLOW
- VT - VIOLET
- WT - WHITE

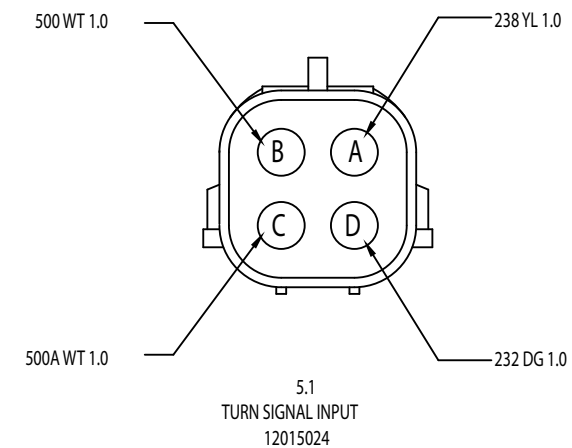
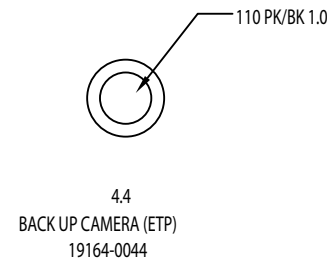
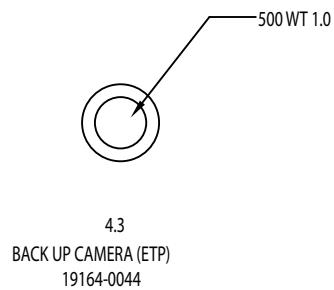
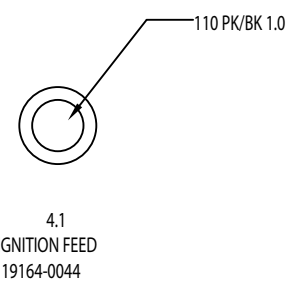
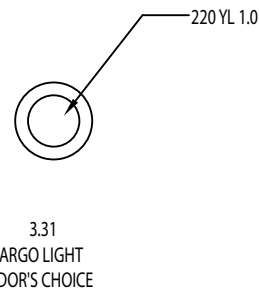
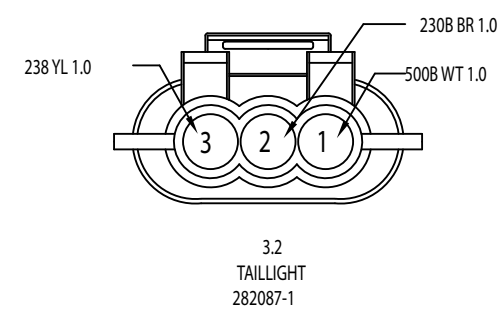
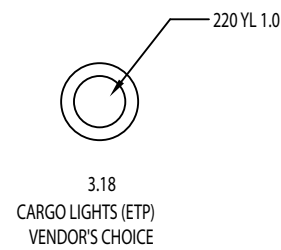
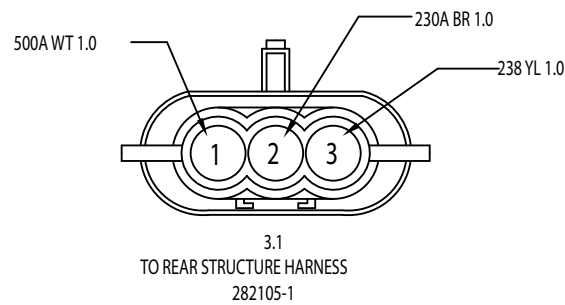
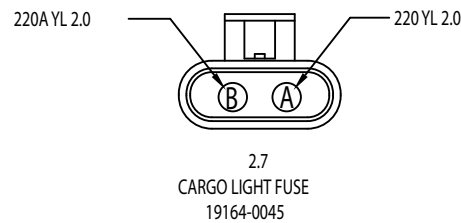
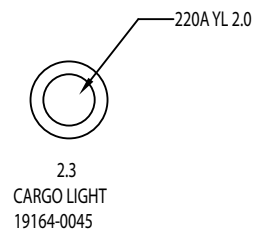
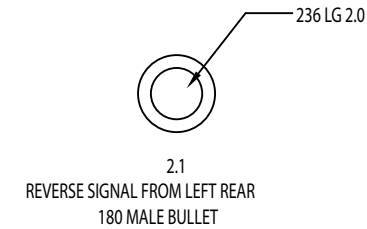
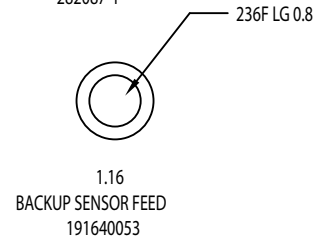
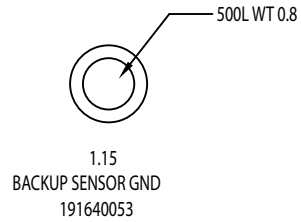
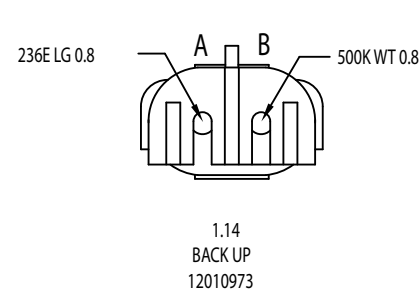
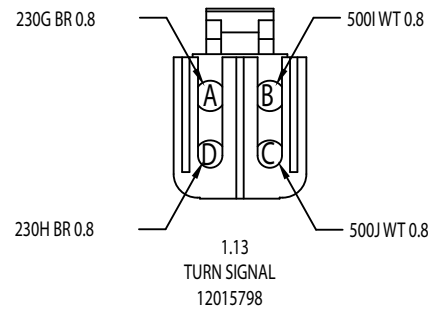
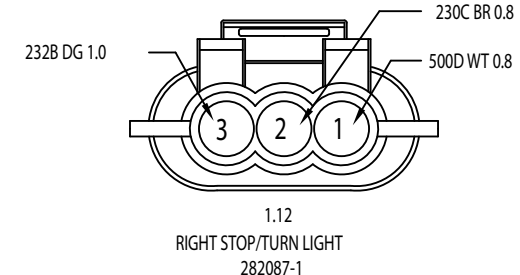
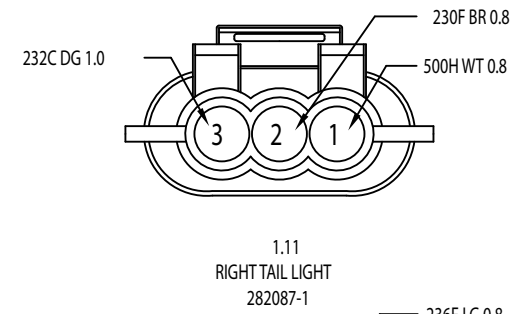
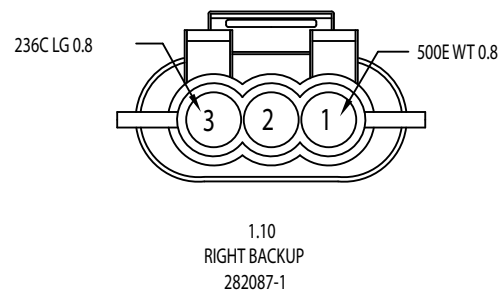
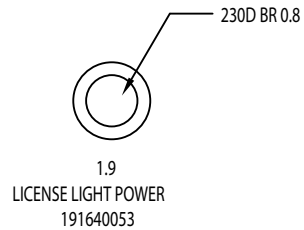
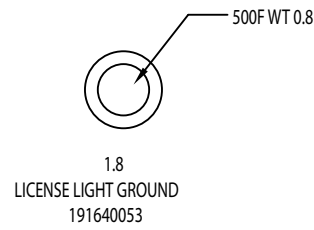
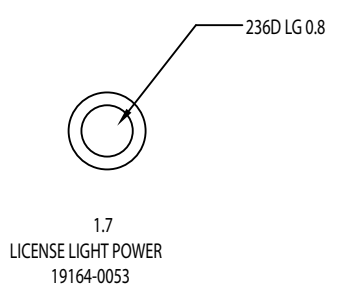
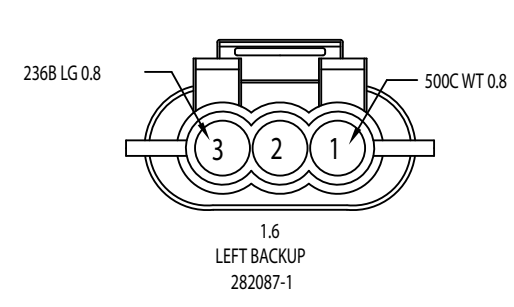
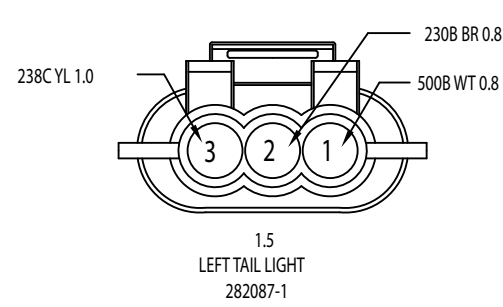
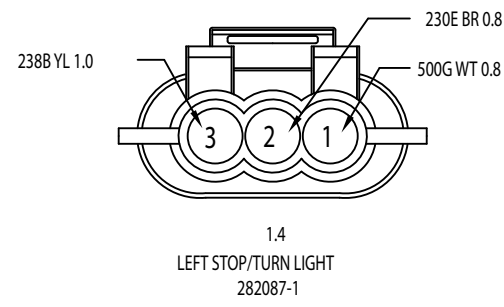
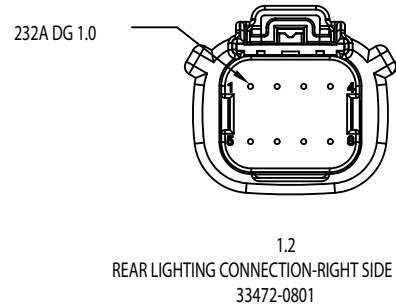
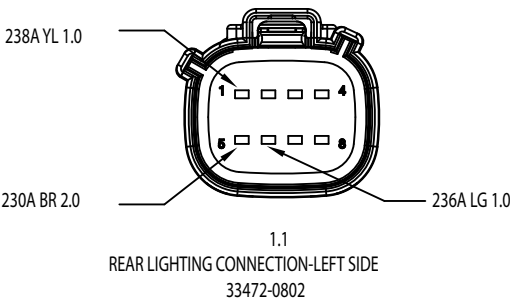
WIRE GAUGE CHART:

- 18 - 18 GA - 0.8mm
- 16 - 16 GA - 1.0mm
- 14 - 14 GA - 2.0mm
- 12 - 12 GA - 3.0mm



A					ENGINEER	DRAWN BY	Spartan Motors USA, Inc. 603 Earthway Blvd Bristol, IN 46507		TITLE
RELEASE FOR PRODUCTION					---	JYD			SCHMATIC
REVISIONS					CHECKED BY	DATE	CAGE CODE		DWG NUMBER
REV.					RLC	02/08/17	36MV0		58212172
ECN-#					CHECKED BY	DATE	DOCUMENT IS ELECTRONICALLY CONTROLLED. VERIFY REV PRIOR TO USE.		A
AUTH					BY	DATE			

CONNECTOR VIEW



LEGEND	
[Symbol]	BATT HOT AT ALL TIMES
[Symbol]	IGN HOT IN RUN OR START
[Symbol]	ACC HOT IN ACC OR RUN

PAGE 3 OF 12

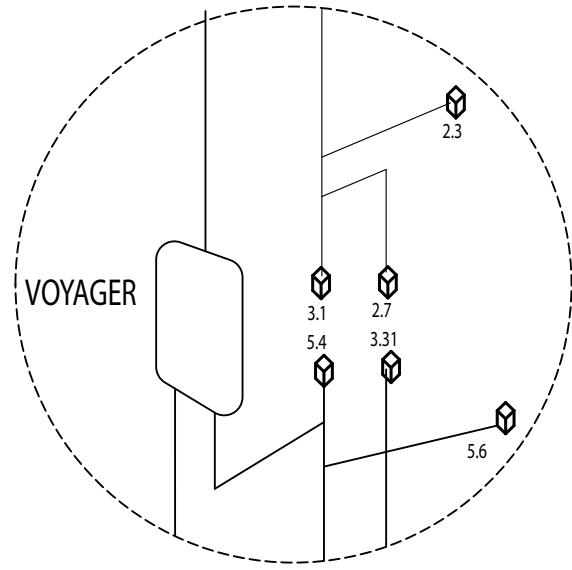
A		RELEASE FOR PRODUCTION	
REV.	REVISIONS	AUTH	DATE

ECN-#	DATE	BY	CHECKED BY	APPROVED BY
			RLC	RLC

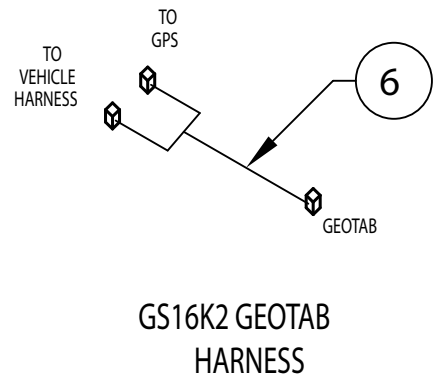
ENGINEER	DRAWN BY
	JYD
CHECKED BY	DATE
RLC	02/08/17

Spartan Motors USA, Inc. 603 Earthway Blvd Bristol, IN 46507	
CAGE CODE	DWG NUMBER
36MV0	58212172

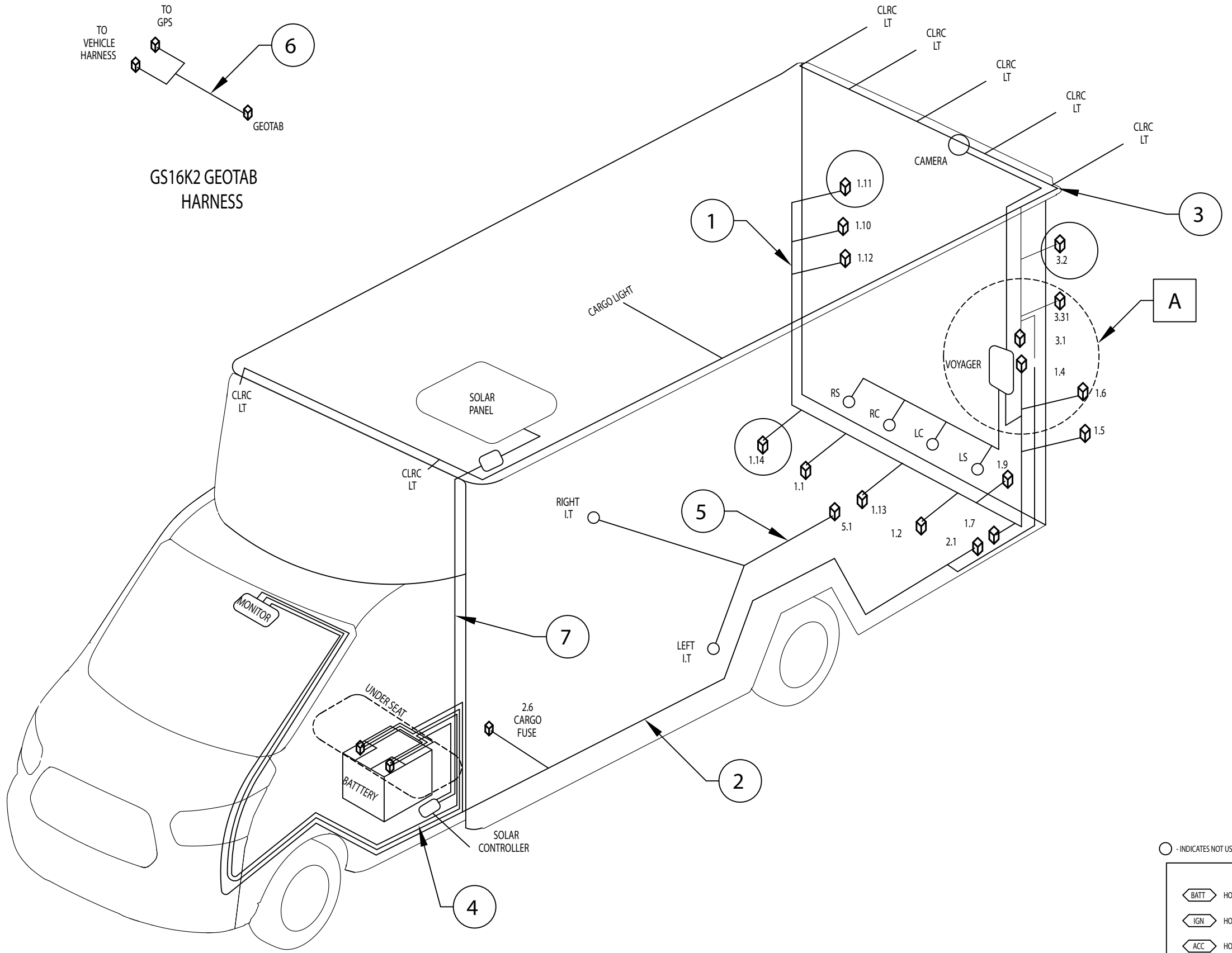
TITLE	
SCHEMATIC FORD TRANSIT TRUCK BODY	
CAGE CODE	DWG NUMBER
36MV0	58212172



DETAIL A  
SCALE 2:1



GS16K2 GEOTAB  
HARNESS

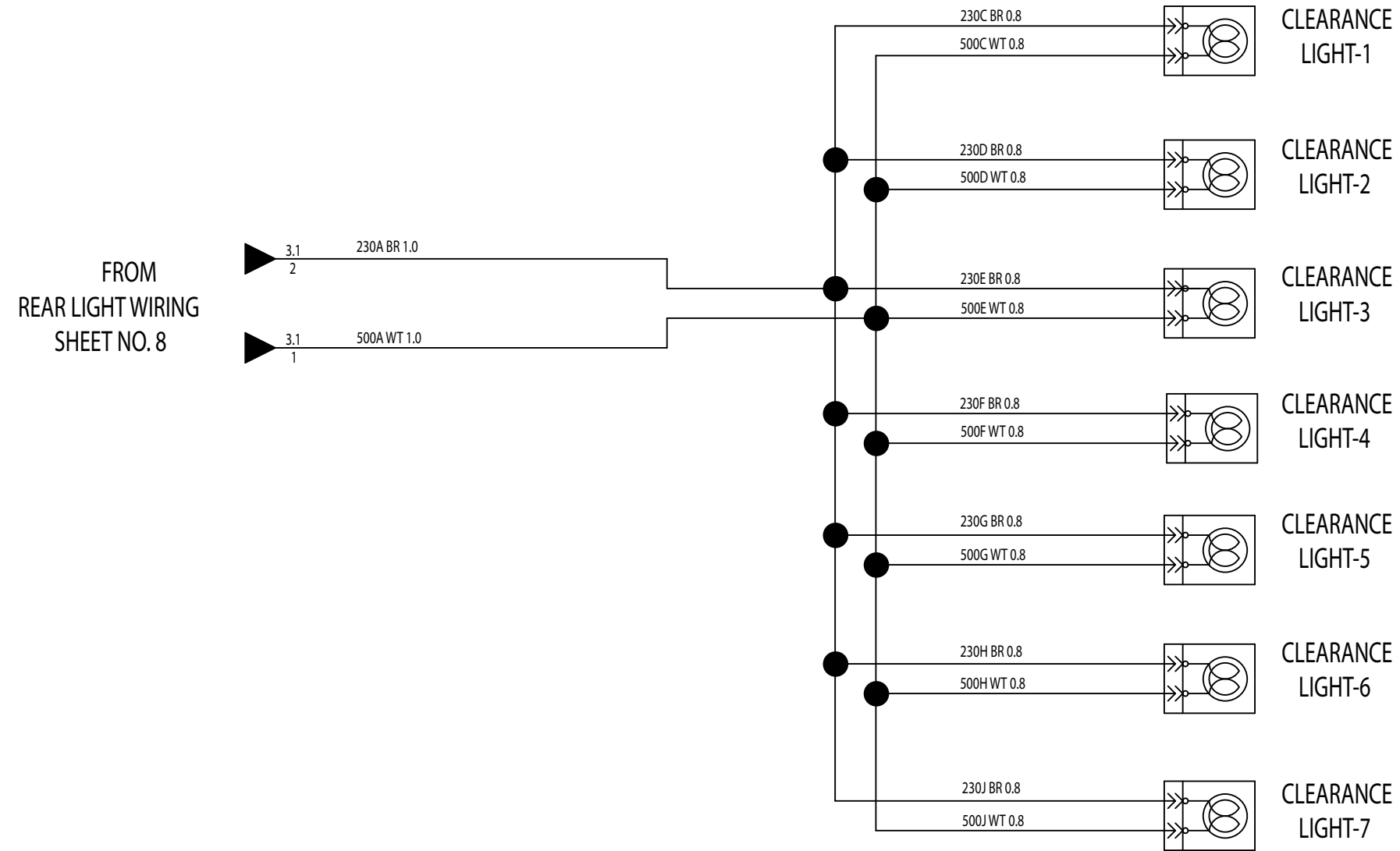


ITEM NO.	HARNESS NUMBER	DESCRIPTION
1	16516885	HARNESS REAR LIGHT CHASSIS TRANSIT CUT
2	16517349	HARNESS, PWR FEED CARGO LGT AND BU
3	16517219	HARNESS LIGHTS CLR
4	16516692	HARNESS RR CL LGT/CENTRAL GRD
5	16514713	HARNESS GEN III.5 MID TURNS
6	16517026	HARNESS GEOTAB HARNESS-GS16K2
7	58212163	WIRING INSTALL SOLAR PANEL

○ - INDICATES NOT USED CONNECTORS

LEGEND	
	HOT AT ALL TIMES
	HOT IN RUN OR START
	HOT IN ACC OR RUN

CLEARANCE LIGHT



LEGEND

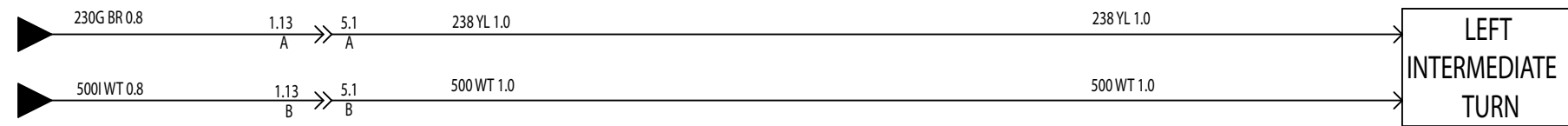
BATT	HOT AT ALL TIMES
IGN	HOT IN RUN OR START
ACC	HOT IN ACC OR RUN

PAGE 5 OF 12						ENGINEER	DRAWN BY	Spartan Motors USA, Inc. 603 Earthway Blvd Bristol, IN 46507		TITLE	<b>SCHEMATIC</b>	
	<b>RELEASE FOR PRODUCTION</b>					ECN-#	---	<b>JYD</b>			<b>FORD TRANSIT TRUCK BODY</b>	
REV.	REVISIONS	AUTH	DATE	BY	CHECKED BY	APPROVED BY	DATE	CAGE CODE	DWG NUMBER	58212172		
					RLC	RLC	02/08/17	36MV0		A		

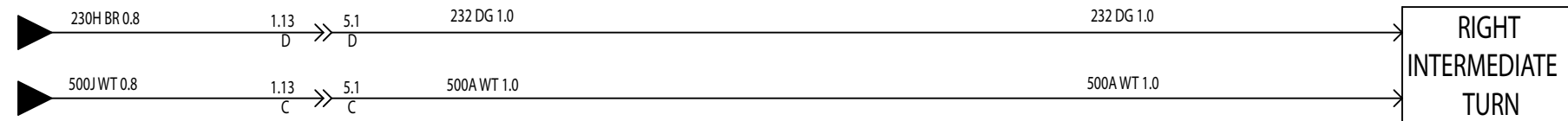
THE INFORMATION CONTAINED IN THIS DRAWING IS THE SOLE PROPERTY OF SPARTAN MOTORS USA, INC. ANY REPRODUCTION IN PART OR AS A WHOLE WITHOUT THE WRITTEN PERMISSION OF SPARTAN MOTORS IS PROHIBITED. DOCUMENT IS ELECTRONICALLY CONTROLLED. VERIFY REV PRIOR TO USE.

INTERMEDIATE TURN SIGNAL

FROM  
REAR LIGHT WIRING  
SHEET NO. 8



FROM  
REAR LIGHT WIRING  
SHEET NO. 8

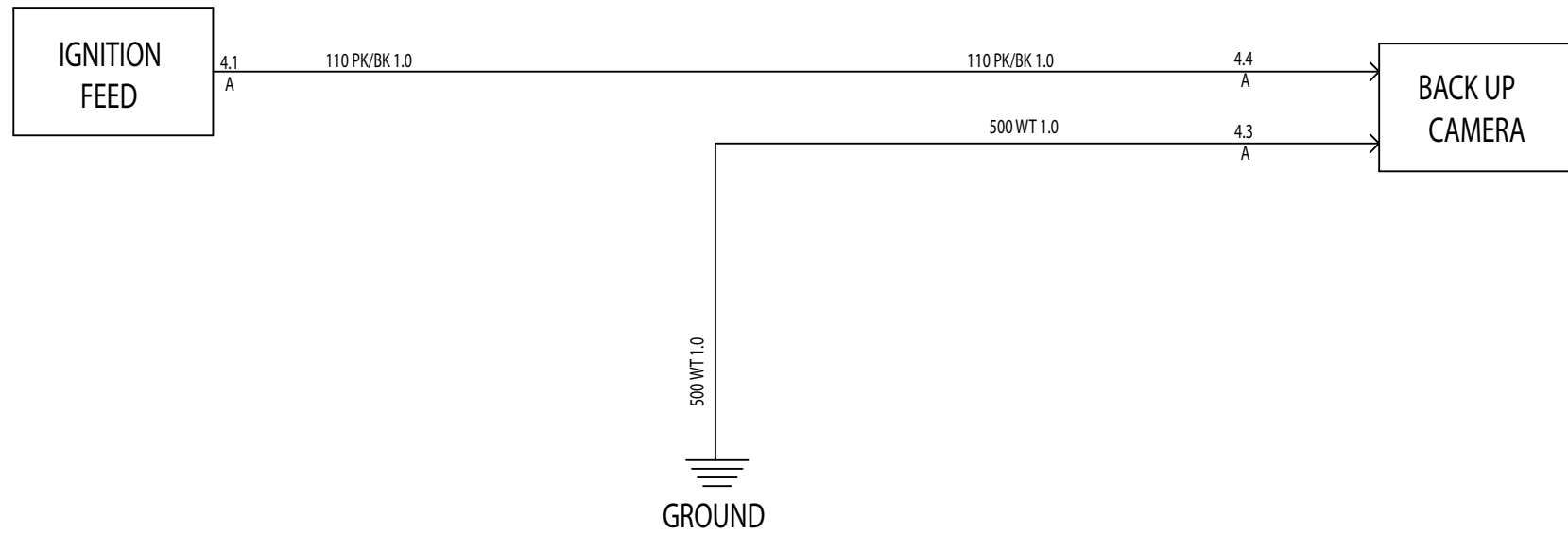


LEGEND	
	HOT AT ALL TIMES
	HOT IN RUN OR START
	HOT IN ACC OR RUN

PAGE 6 OF 12	REVISIONS	ECN-#	DATE	BY	CHECKED BY	APPROVED BY	ENGINEER	DRAWN BY	Spartan Motors USA, Inc. 603 Earthway Blvd Bristol, IN 46507	TITLE
	A	RELEASE FOR PRODUCTION			RLC	RLC	---	JYD		<b>SCHEMATIC</b> <b>FORD TRANSIT TRUCK BODY</b>
								02/08/17		CAGE CODE 36MV0
										DWG NUMBER <b>58212172</b>

THE INFORMATION CONTAINED IN THIS DRAWING IS THE SOLE PROPERTY OF SPARTAN MOTORS USA, INC. ANY REPRODUCTION IN PART OR AS A WHOLE WITHOUT THE WRITTEN PERMISSION OF SPARTAN MOTORS IS PROHIBITED. DOCUMENT IS ELECTRONICALLY CONTROLLED. VERIFY REV PRIOR TO USE.

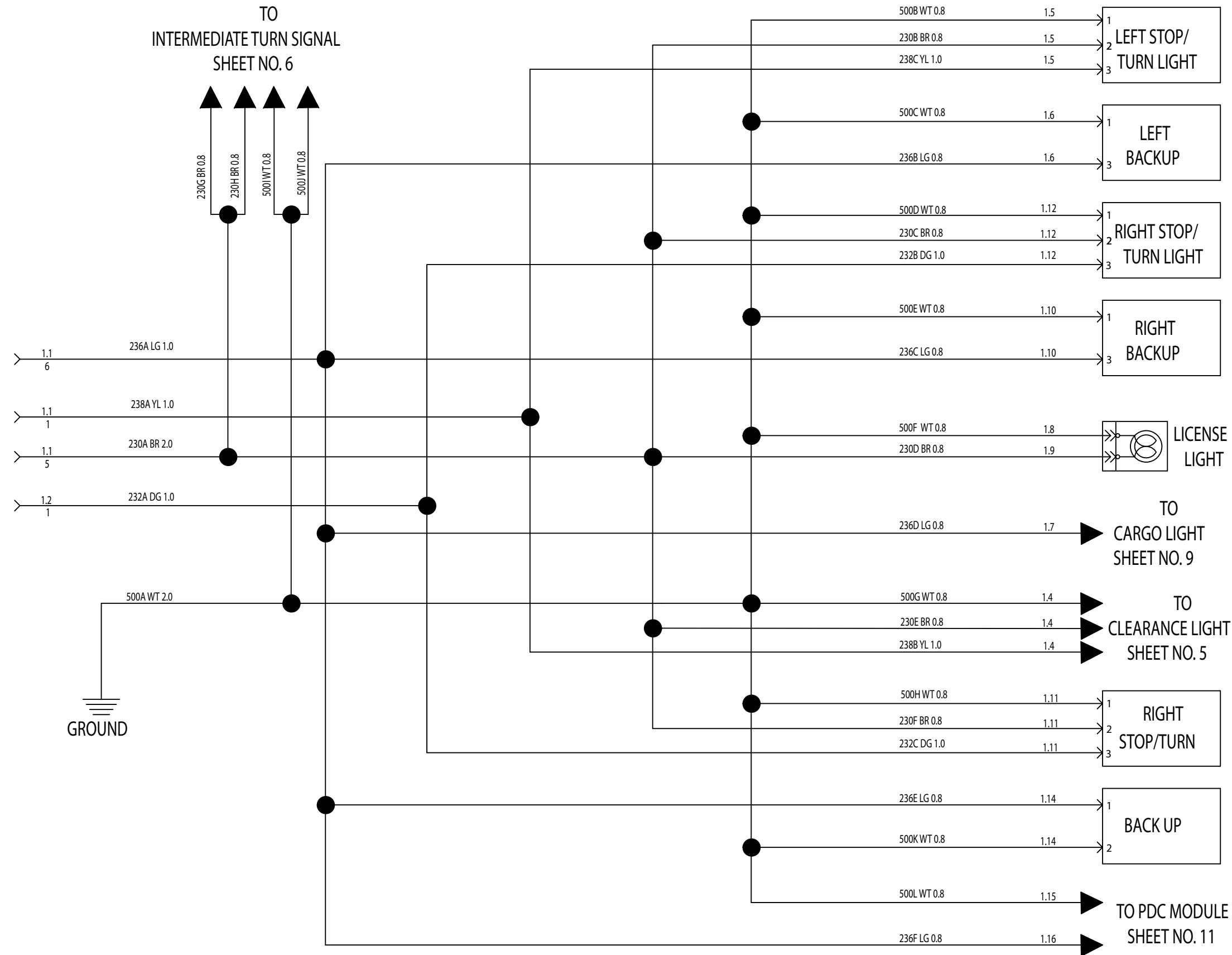
BACKUP CAMERA



LEGEND	
	HOT AT ALL TIMES
	HOT IN RUN OR START
	HOT IN ACC OR RUN

PAGE 7 OF 12	REVISIONS	ECN-#	DATE	BY	CHECKED BY	APPROVED BY	ENGINEER	DRAWN BY	Spartan Motors USA, Inc. 603 Earthway Blvd Bristol, IN 46507	TITLE
	A	RELEASE FOR PRODUCTION				RLC	RLC	JYD		SCHMATIC FORD TRANSIT TRUCK BODY
		AUTH						02/08/17	CAGE CODE 36MV0	DWG NUMBER 58212172

THE INFORMATION CONTAINED IN THIS DRAWING IS THE SOLE PROPERTY OF SPARTAN MOTORS USA, INC. ANY REPRODUCTION IN PART OR AS A WHOLE WITHOUT THE WRITTEN PERMISSION OF SPARTAN MOTORS IS PROHIBITED.  
DOCUMENT IS ELECTRONICALLY CONTROLLED. VERIFY REV PRIOR TO USE.



LEGEND

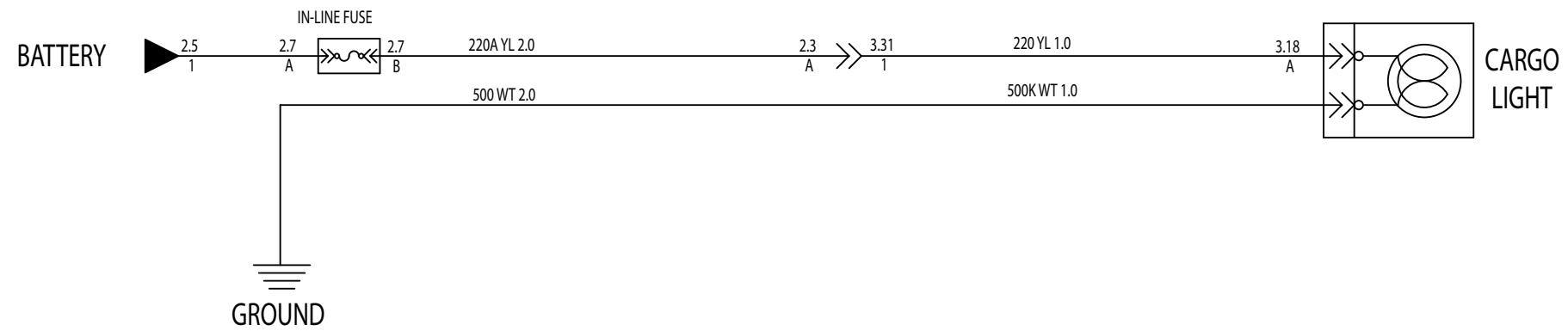
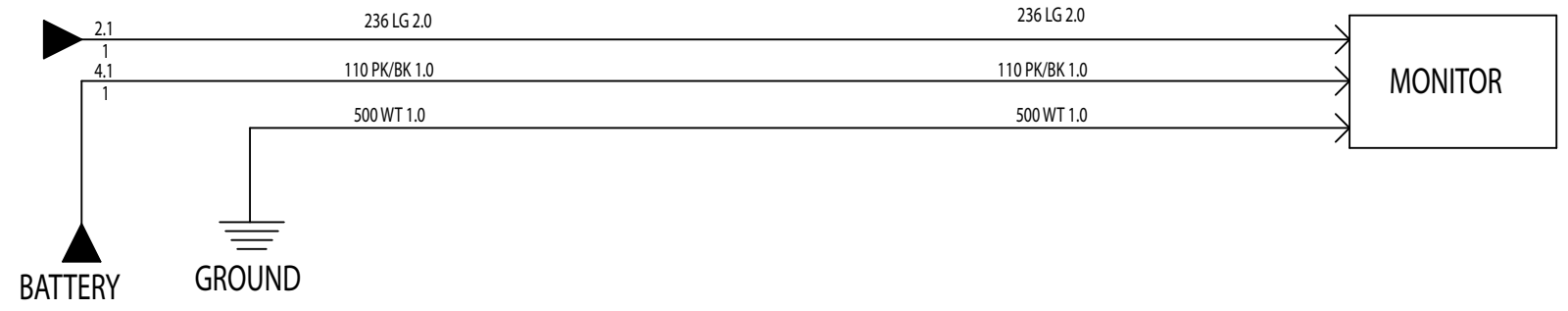
BATT	HOT AT ALL TIMES
IGN	HOT IN RUN OR START
ACC	HOT IN ACC OR RUN

REV.	RELEASE FOR PRODUCTION					ECN-#	DATE	BY	CHECKED BY	APPROVED BY	ENGINEER	DRAWN BY	Spartan Motors USA, Inc. 603 Earthway Blvd Bristol, IN 46507	TITLE	SCHMATIC
	REVISIONS					AUTH			RLC	RLC		JYD		CAGE CODE	FORD TRANSIT TRUCK BODY
												02/08/17	36MV0	DWG NUMBER	58212172

PAGE 8 OF 12

THE INFORMATION CONTAINED IN THIS DRAWING IS THE SOLE PROPERTY OF SPARTAN MOTORS USA, INC. ANY REPRODUCTION IN PART OR AS A WHOLE WITHOUT THE WRITTEN PERMISSION OF SPARTAN MOTORS IS PROHIBITED. DOCUMENT IS ELECTRONICALLY CONTROLLED. VERIFY REV PRIOR TO USE.

FROM  
REAR LIGHT WIRING  
SHEET NO. 8

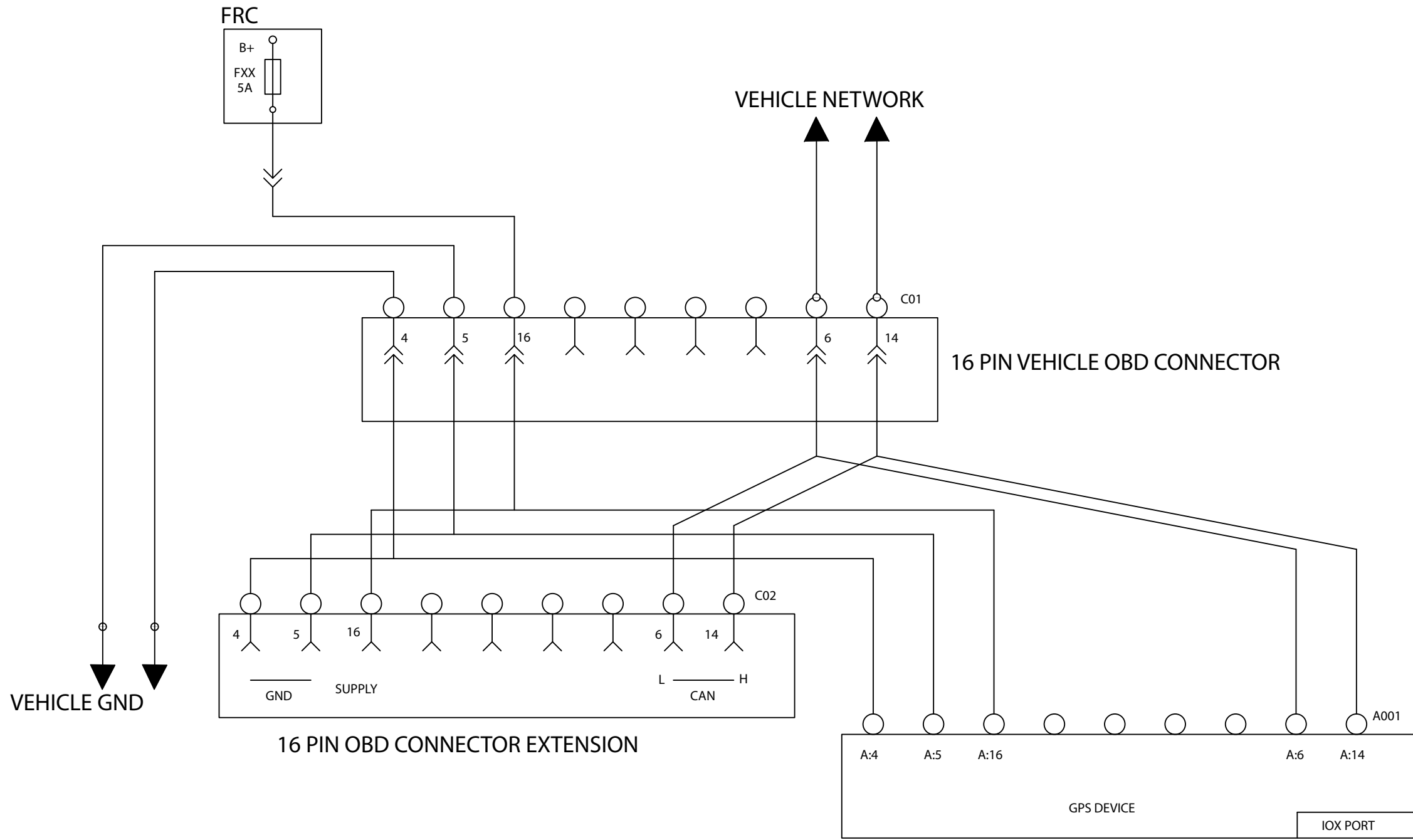


LEGEND	
	HOT AT ALL TIMES
	HOT IN RUN OR START
	HOT IN ACC OR RUN

PAGE 9 OF 12

A		RELEASE FOR PRODUCTION	ECN-#						ENGINEER	---	DRAWN BY	JYD	Spartan Motors USA, Inc. 603 Earthway Blvd Bristol, IN 46507	TITLE	SCHEMATIC FORD TRANSIT TRUCK BODY	
REV.		REVISIONS	AUTH	DATE	BY	CHECKED BY	APPROVED BY	RLC	CHECKED BY	RLC	DATE	02/08/17	THE INFORMATION CONTAINED IN THIS DRAWING IS THE SOLE PROPERTY OF SPARTAN MOTORS USA, INC. ANY REPRODUCTION IN PART OR AS A WHOLE WITHOUT THE WRITTEN PERMISSION OF SPARTAN MOTORS IS PROHIBITED.	CAGE CODE	DWG NUMBER	58212172
													DOCUMENT IS ELECTRONICALLY CONTROLLED. VERIFY REV PRIOR TO USE.	36MV0		A

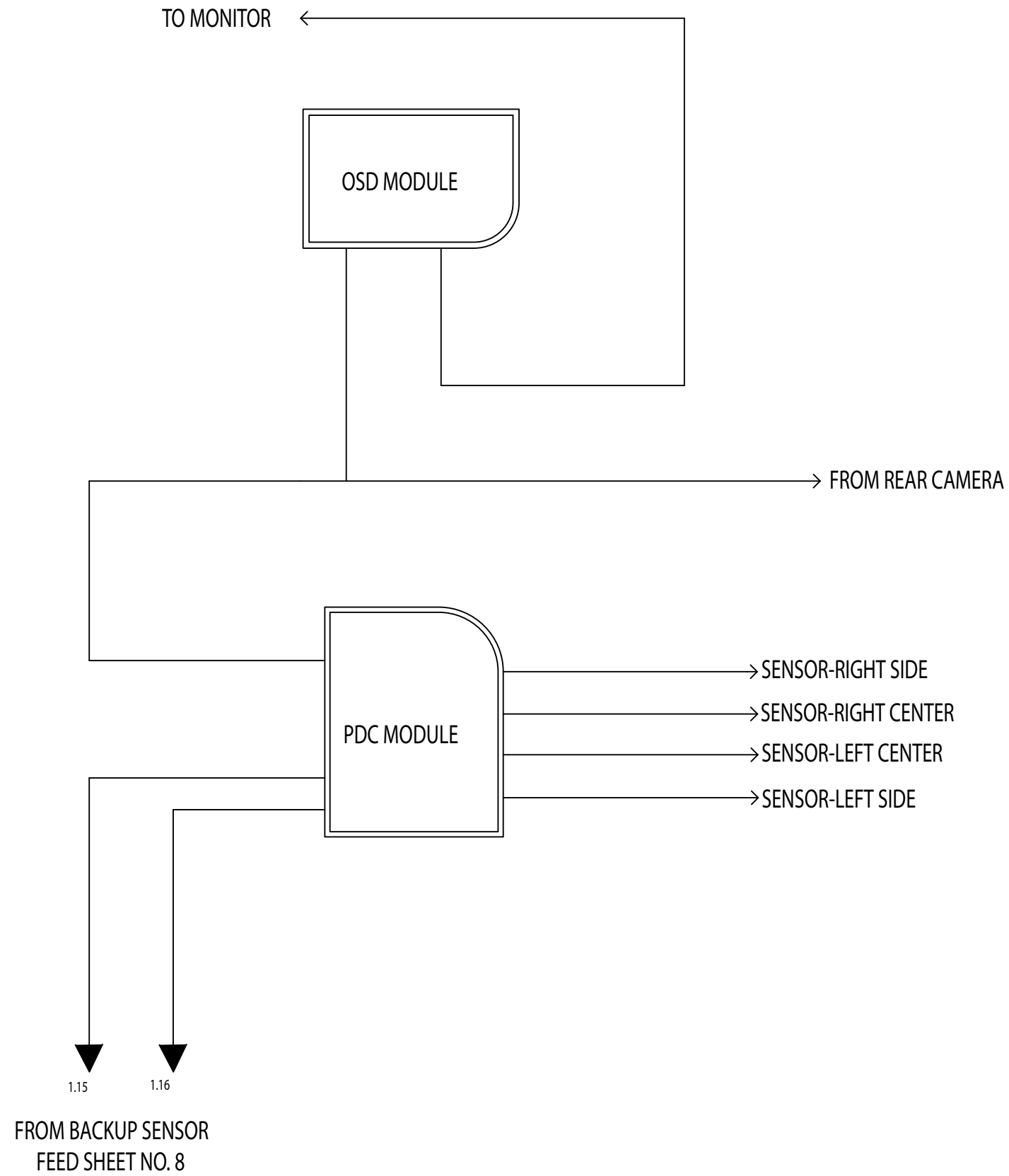




LEGEND	
	HOT AT ALL TIMES
	HOT IN RUN OR START
	HOT IN ACC OR RUN

PAGE 10 OF 12	A	RELEASE FOR PRODUCTION	ECN-#					ENGINEER	DRAWN BY	Spartan Motors USA, Inc. 603 Earthway Blvd Bristol, IN 46507	TITLE	SCHEMATIC FORD TRANSIT TRUCK BODY	
		REVISIONS	AUTH	DATE	BY	CHECKED BY	APPROVED BY	RLC	RLC	DATE	02/08/17		CAGE CODE
THE INFORMATION CONTAINED IN THIS DRAWING IS THE SOLE PROPERTY OF SPARTAN MOTORS USA, INC. ANY REPRODUCTION IN PART OR AS A WHOLE WITHOUT THE WRITTEN PERMISSION OF SPARTAN MOTORS IS PROHIBITED.											36MV0	58212172	A

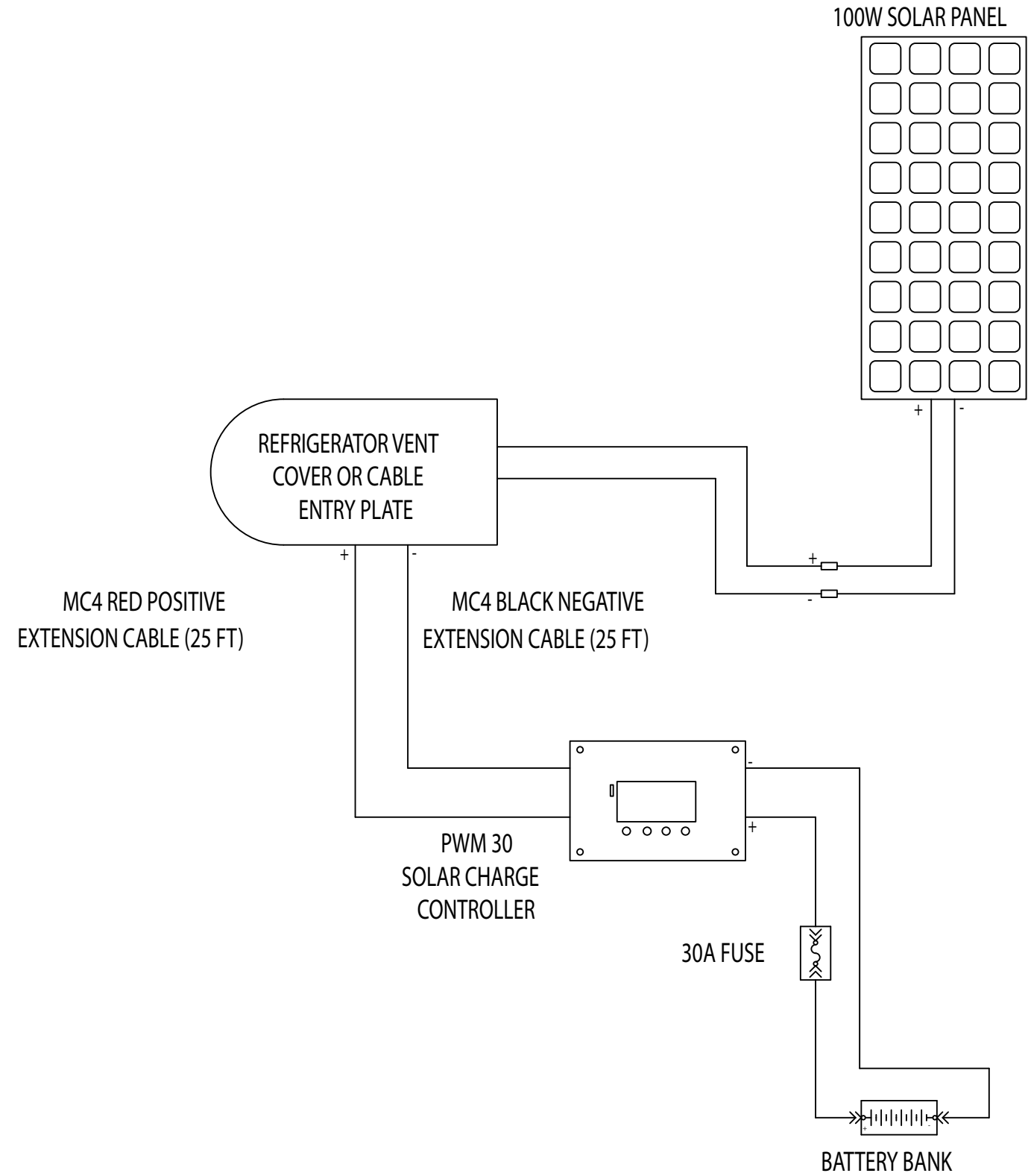
REAR SENSOR SYSTEM INSTALLATION



LEGEND	
BATT	HOT AT ALL TIMES
IGN	HOT IN RUN OR START
ACC	HOT IN ACC OR RUN

PAGE 11 OF 12	REVISIONS	ECN-#	DATE	BY	CHECKED BY	APPROVED BY	ENGINEER	DRAWN BY	Spartan Motors USA, Inc. 603 Earthway Blvd Bristol, IN 46507	TITLE
	A	RELEASE FOR PRODUCTION			RLC	RLC		JYD		<b>SCHEMATIC</b> <b>FORD TRANSIT TRUCK BODY</b>
REV.		AUTH						DATE	CAGE CODE	DWG NUMBER
								02/08/17	36MV0	58212172

THE INFORMATION CONTAINED IN THIS DRAWING IS THE SOLE PROPERTY OF SPARTAN MOTORS USA, INC. ANY REPRODUCTION IN PART OR AS A WHOLE WITHOUT THE WRITTEN PERMISSION OF SPARTAN MOTORS IS PROHIBITED. DOCUMENT IS ELECTRONICALLY CONTROLLED. VERIFY REV PRIOR TO USE.

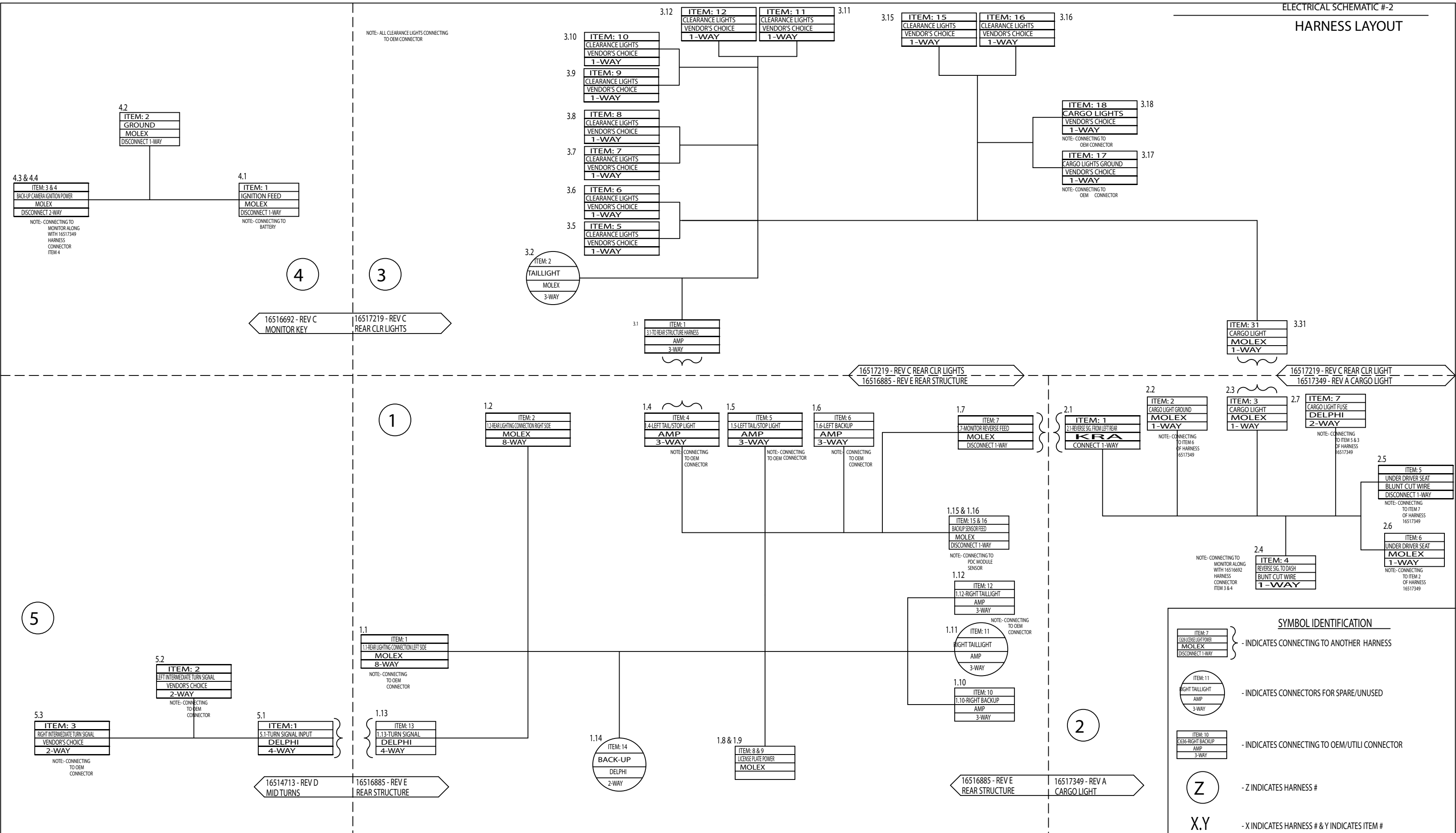


LEGEND	
	HOT AT ALL TIMES
	HOT IN RUN OR START
	HOT IN ACC OR RUN

A		RELEASE FOR PRODUCTION			ECN-#					ENGINEER	---	DRAWN BY	JYD	Spartan Motors USA, Inc. 603 Earthway Blvd Bristol, IN 46507	TITLE	SCHEMATIC FORD TRANSIT TRUCK BODY		
REV.		REVISIONS			AUTH	DATE	BY	CHECKED BY	APPROVED BY	RLC		DATE	02/08/17	THE INFORMATION CONTAINED IN THIS DRAWING IS THE SOLE PROPERTY OF SPARTAN MOTORS USA, INC. ANY REPRODUCTION IN PART OR AS A WHOLE WITHOUT THE WRITTEN PERMISSION OF SPARTAN MOTORS IS PROHIBITED. DOCUMENT IS ELECTRONICALLY CONTROLLED. VERIFY REV PRIOR TO USE.	CAGE CODE	DWG NUMBER	58212172	A
														36MV0				

HARNES LAYOUT

NOTE: ALL CLEARANCE LIGHTS CONNECTING TO OEM CONNECTOR



**SYMBOL IDENTIFICATION**

- INDICATES CONNECTING TO ANOTHER HARNES
- INDICATES CONNECTORS FOR SPARE/UNUSED
- INDICATES CONNECTING TO OEM/UTILI CONNECTOR
- Z** - Z INDICATES HARNES #
- X.Y** - X INDICATES HARNES # & Y INDICATES ITEM #

PAGE 2 OF 2	ENGINEER	---	DRAWN BY	<b>JYD</b>	Spartan Motors USA, Inc. 603 Earthway Blvd Bristol, IN 46507	TITLE	<b>HARNES LAYOUT</b>
	CHECKED BY	---	DATE	02/08/17	36MV0	DWG NUMBER	<b>XXXXXXXXXX</b>
<b>RELEASE FOR PRODUCTION</b>		ECN-#		BY			<b>A</b>
REV.	REVISIONS	AUTH	DATE	CHECKED BY	APPROVED BY		

THE INFORMATION CONTAINED IN THIS DRAWING IS THE SOLE PROPERTY OF SPARTAN MOTORS USA, INC. ANY REPRODUCTION IN PART OR AS A WHOLE WITHOUT THE WRITTEN PERMISSION OF SPARTAN MOTORS USA, INC. IS PROHIBITED. DOCUMENT IS ELECTRONICALLY CONTROLLED. VERIFY REV PRIOR TO USE.