

UTILIMASTER **REACH**™

Body Wiring Manual



DRIVING INTELLIGENT VEHICLE SOLUTIONS

Introduction

Congratulations on operating a Reach vehicle with a quality Utilimaster® body. Utilimaster is dedicated to serving our customers' needs through the excellence of our products, services, and information. Please read and follow the instructions in this document for safe and optimal operation and maintenance of this vehicle.

This manual contains drawings and photos to aid in servicing the vehicle, and it may include information on some items installed but not manufactured by Utilimaster Corporation. Items such as chassis and drive train components or certain interior furnishings may be covered by separate manufacturer-supplied information. Information provided here is intended to assist Utilimaster customers and is in no way meant to replace or supersede instructions provided by other suppliers for their products.

This manual provides *basic* wiring information for Reach vehicle bodies built by Utilimaster Corporation. See the *Reach–Body Operator's Guide* for expanded descriptions on the features and options unique to the Reach. See the *Reach–Body Service Manual* for aid in servicing the vehicle. For information on chassis and drive train operations, see the *Isuzu's NPR Stripped Chassis Owner's and Driver's Manual*. For additional technical documentation on parts, see the references in the *More Information and Publications* section.

Utilimaster Corporation attempts to provide accurate, complete, and useful information. All information contained in this manual is based on the latest product information available at the time of publication. However, because of the Utilimaster policy of continual product improvement, Utilimaster reserves the right to amend the information in this document at any time without prior notice.

Reach Customer Service

HOTLINE 574-862-3362

Monday–Friday 6:30 a.m. to 6 p.m. Eastern Standard Time Zone

Email: reach@utilimaster.com

NOTE: The information in this document is generic. Images and procedures may differ from those for vehicles you are servicing. Because Utilimaster manufactures customized vehicle bodies, this document cannot list and illustrate every possible option for every vehicle. The most common body options are described here. Use this information as a guideline.

Contents

<i>Introduction</i>	2
<i>Manual Features</i>	4
<i>Harnesses</i>	5
<i>Cab Overhead</i>	5
<i>Dash, Main</i>	6
<i>Plenum Heat Only</i>	10
<i>Main</i>	10
<i>Blower Switch</i>	12
<i>Control Head</i>	13
<i>Plenum with Air Conditioning</i>	15
<i>Main</i>	15
<i>Condenser Fan and Pressure Switch</i>	17
<i>Control Head</i>	18
<i>Switch, 8-Position</i>	19
<i>Switch, Pressure Trinary</i>	20
<i>Lights</i>	21
<i>3-Way Switch</i>	21
<i>Front</i>	22
<i>Rear</i>	23
<i>Single Cab</i>	27
<i>Dual Cab</i>	28
<i>Roof</i>	29
<i>Seat, Power</i>	30
<i>Wiper and Coolant Valve</i>	31
<i>Reporting Safety Defects</i>	32
<i>United States Only</i>	32
<i>Canada Only</i>	32
<i>Ordering Parts</i>	33
<i>Customizable Parts Order Form</i>	34
<i>Returns</i>	34
<i>More Information and Publications</i>	36
<i>Web Site and Downloading Files</i>	36
<i>Service Manuals</i>	36
<i>Contacting Utilimaster</i>	37
<i>Revision Control</i>	40
<i>Important Notices</i>	40

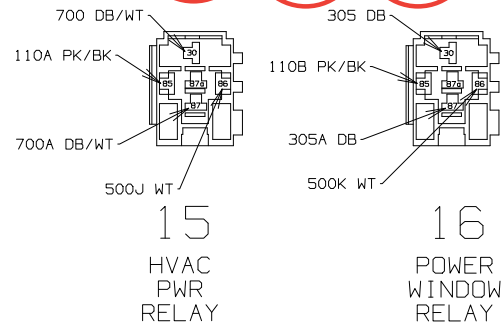
16515123c



Relays below tray panel



Below tray panel



15

HVAC PWR RELAY

16

POWER WINDOW RELAY



Manual Features

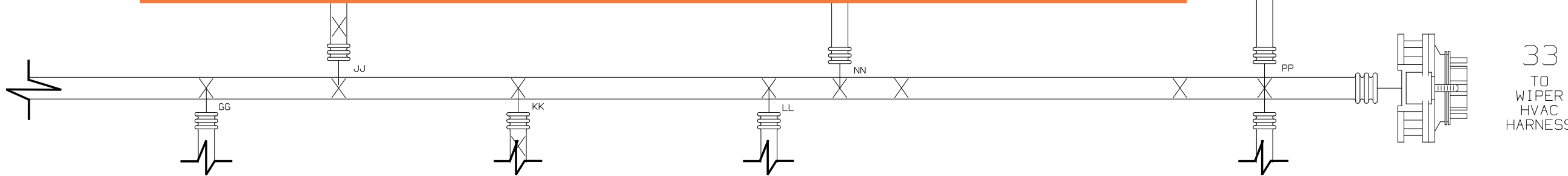
1. Link to order replacement parts.
2. Toll free number or dial direct 574-862-3362 Monday-Friday 6:30 a.m. to 6:00 p.m. Eastern Standard Time.
3. Reference to the wire harnesses part number and revision level at time of publication.
4. Photo and description of connector location on the vehicle.
5. Traffic signs that link to the Table of Contents, Previous Page, and Index.
6. Connectors shown from terminal insertion view unless noted otherwise.
7. Circuit reference number.
8. Wire color.
9. Connector description and reference number.
10. Small traffic sign on photo links to the next page destination.
11. Description of the next page destination with a Traffic Sign link.
12. Document title.
13. Web site to Utilimaster home page.
14. Name of wire harness.
15. Multiple sheet reference.
16. Document page number.



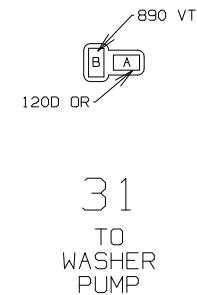
14 WIPER HIGH/LOW DIODE



16515123 Sheet 2



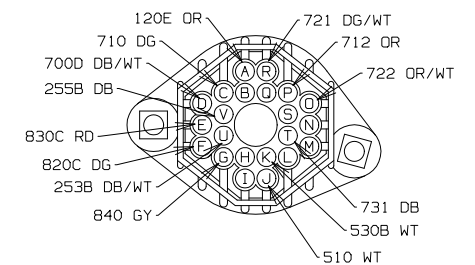
16515123 Sheet 4



31 TO WASHER PUMP



Below washer bottle 16515127



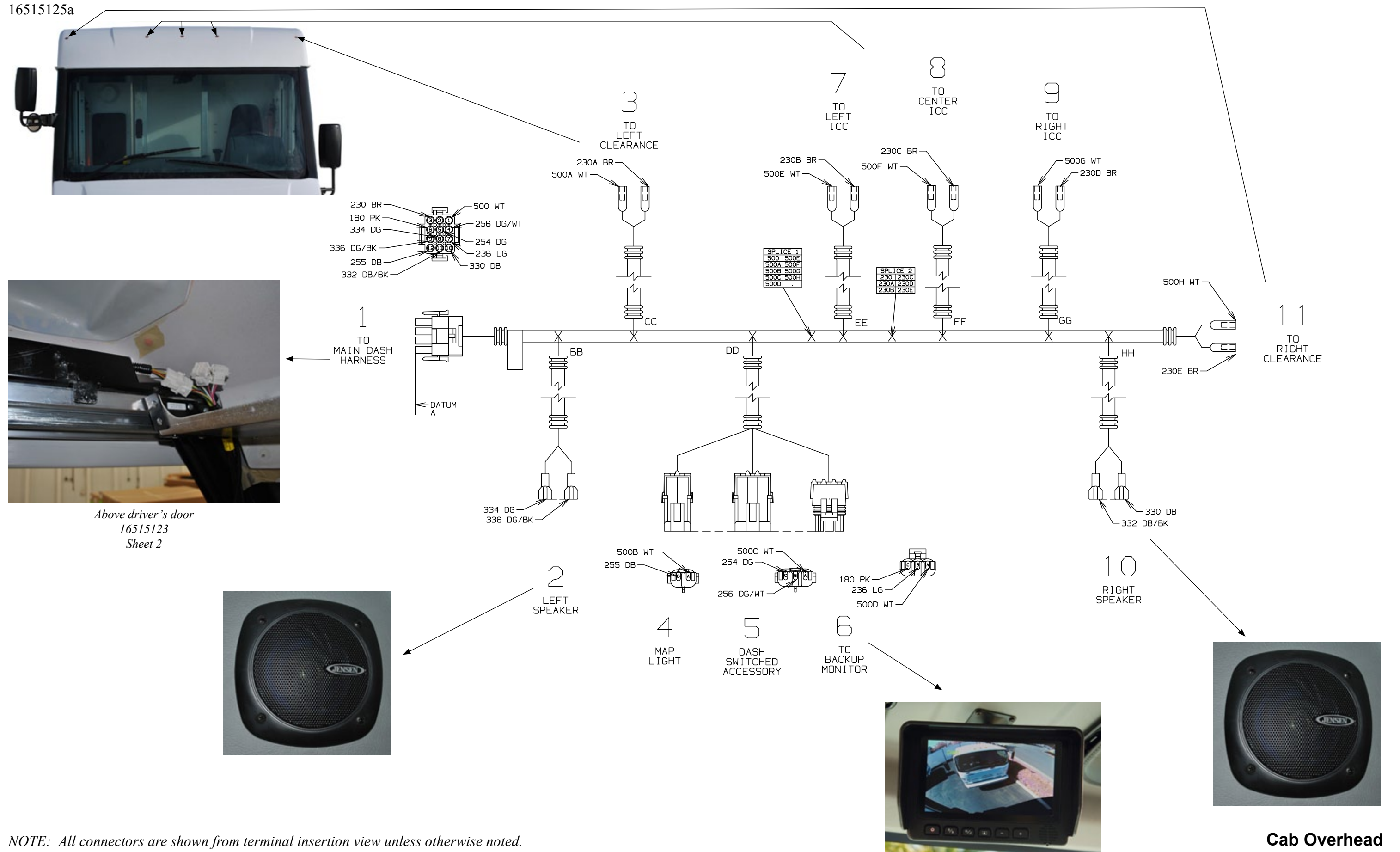
33

TO WIPER HVAC HARNESS



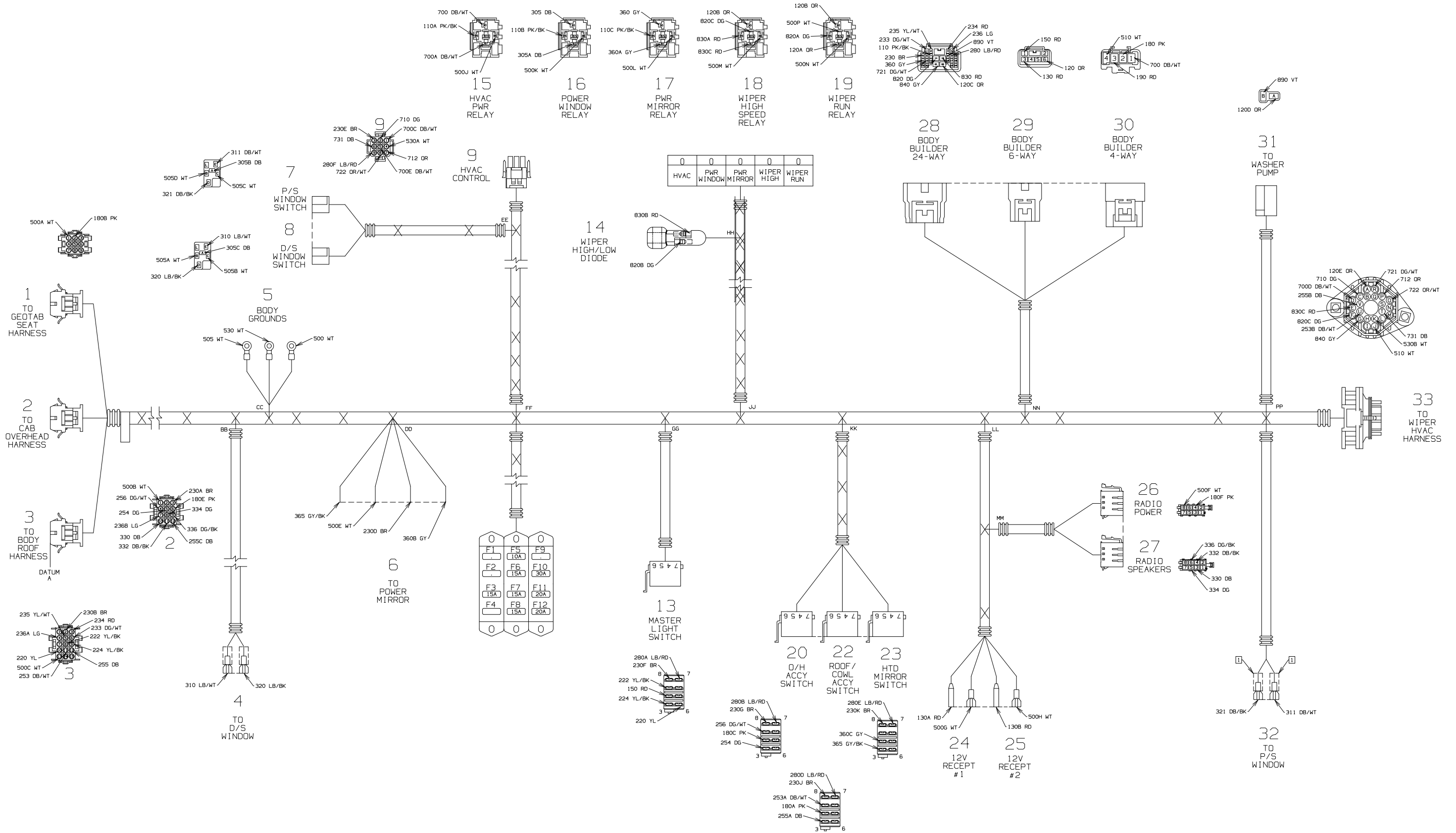
Dash, Main Sheet 3 of 4





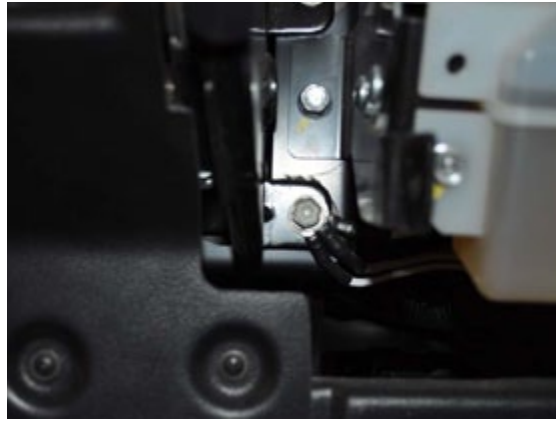
NOTE: All connectors are shown from terminal insertion view unless otherwise noted.

16515123c



NOTE: All connectors are shown from terminal insertion view unless otherwise noted.

16515123c



Below park brake



Above driver's door



Driver's door A-pillar

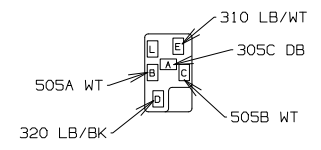
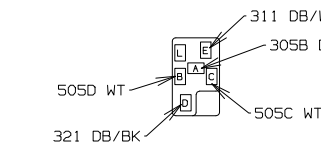
16515129



16515125



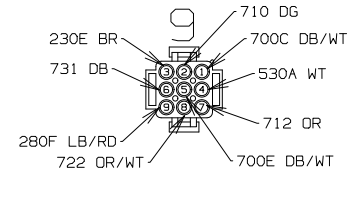
16515124



5 BODY GROUNDS



7 P/S WINDOW SWITCH
8 D/S WINDOW SWITCH



9 HVAC CONTROL

17902301 Plenum heat only
17902307 Plenum AC

0	0	0
F1	F5	F9
10A	15A	30A
F2	F6	F10
15A	15A	20A
F3	F7	F11
15A	15A	20A
F4	F8	F12
15A	15A	20A
0	0	0

Distribution (fuse) panel

16515123 Sheet 3

Dash, Main Sheet 2 of 4

NOTE: All connectors are shown from terminal insertion view unless otherwise noted.

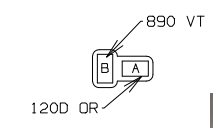
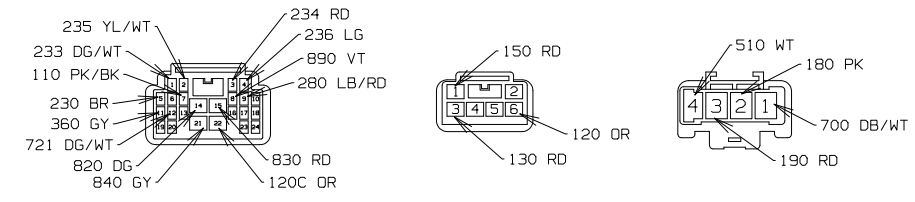
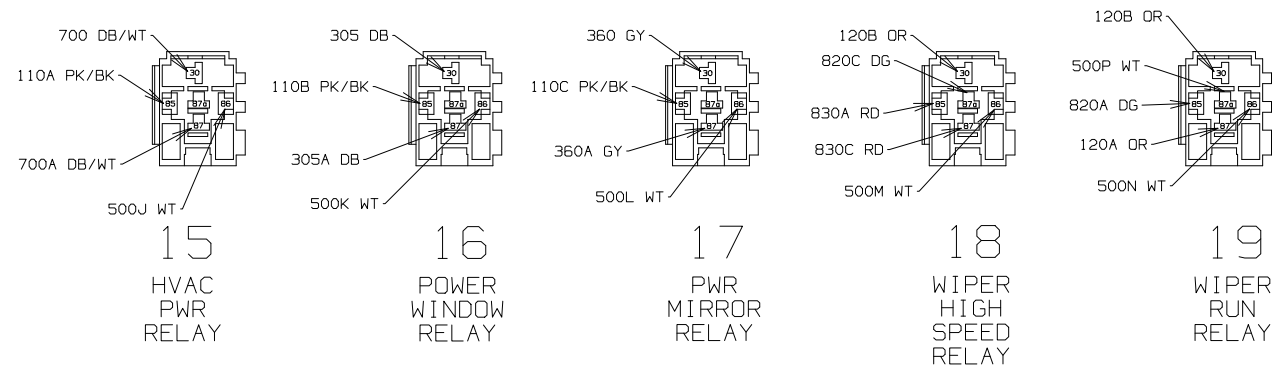
16515123c



Relays below tray panel



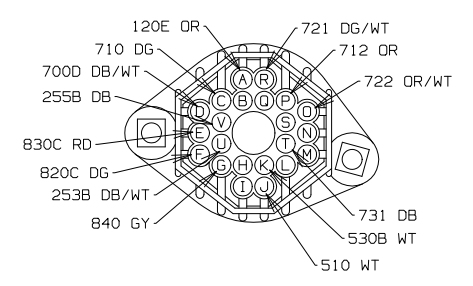
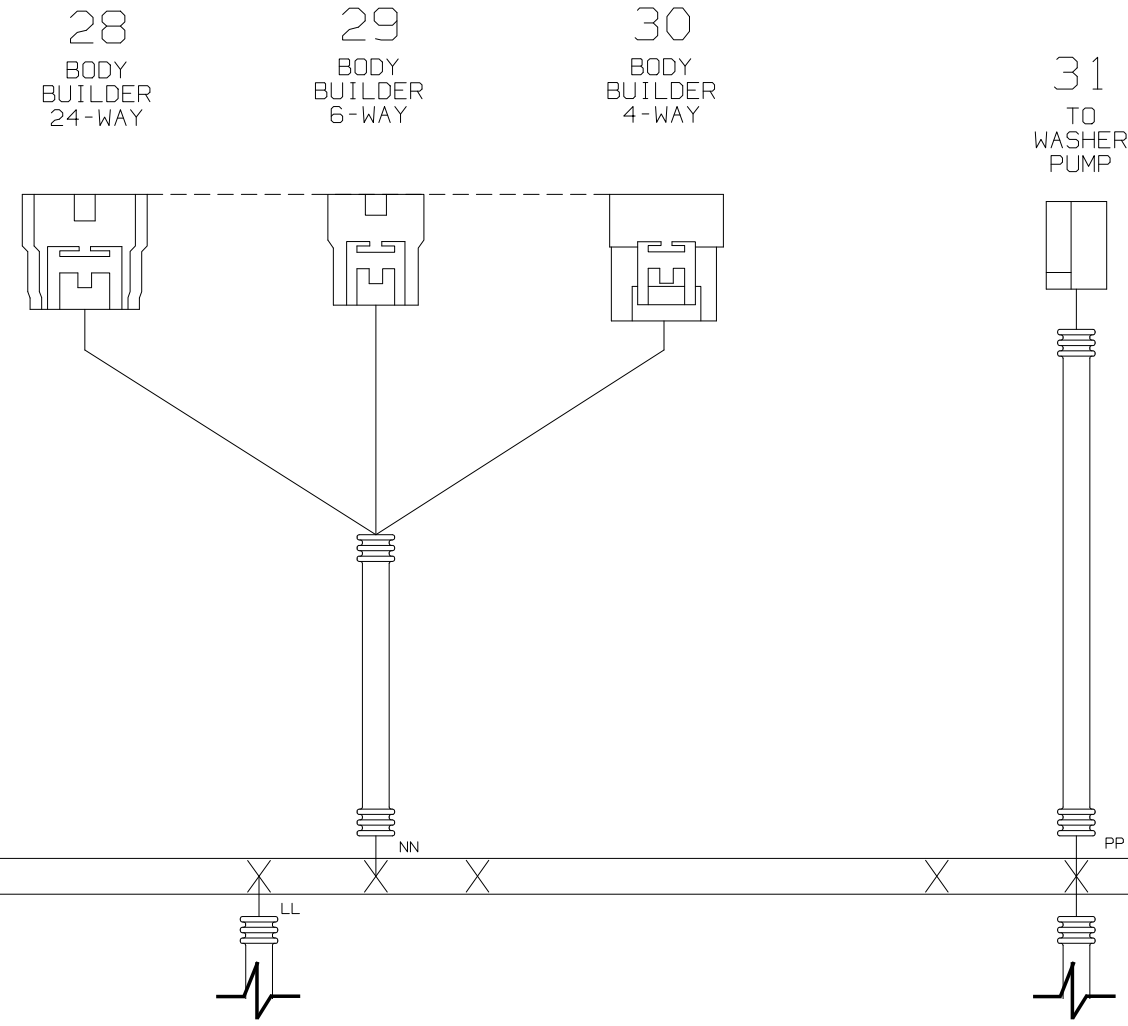
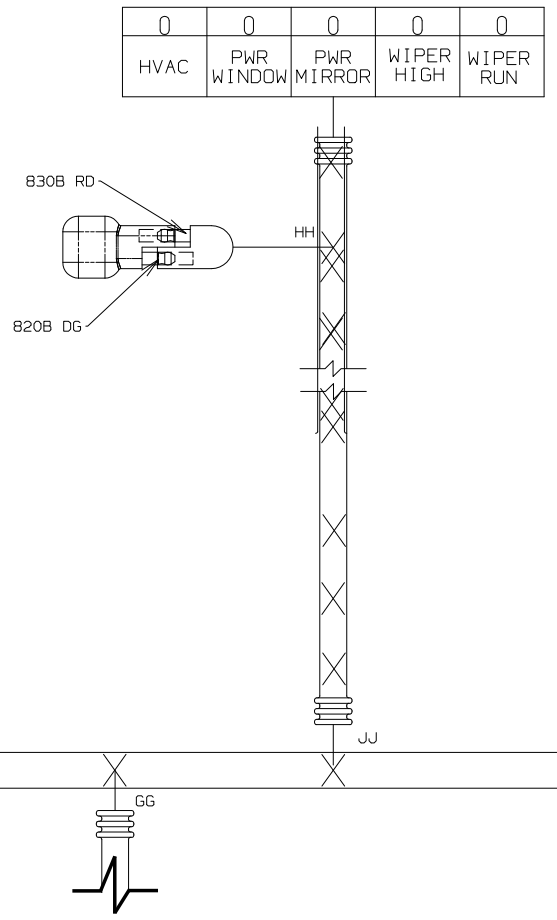
Below tray panel



Below washer bottle
16515127



14
WIPER
HIGH/LOW
DIODE



33
TO
WIPER
HVAC
HARNESS

16515123
Sheet 2

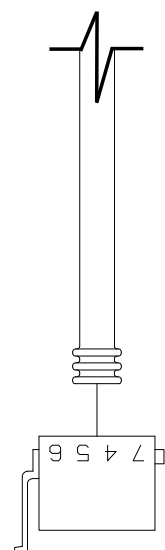
16515123
Sheet 4

NOTE: All connectors are shown from terminal insertion view unless otherwise noted.

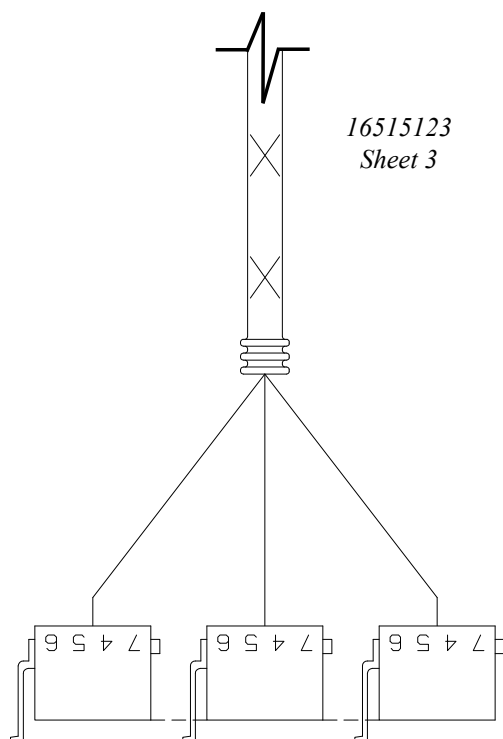
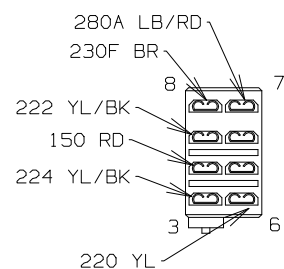
Dash, Main
Sheet 3 of 4

16515123c

16515123
Sheet 3



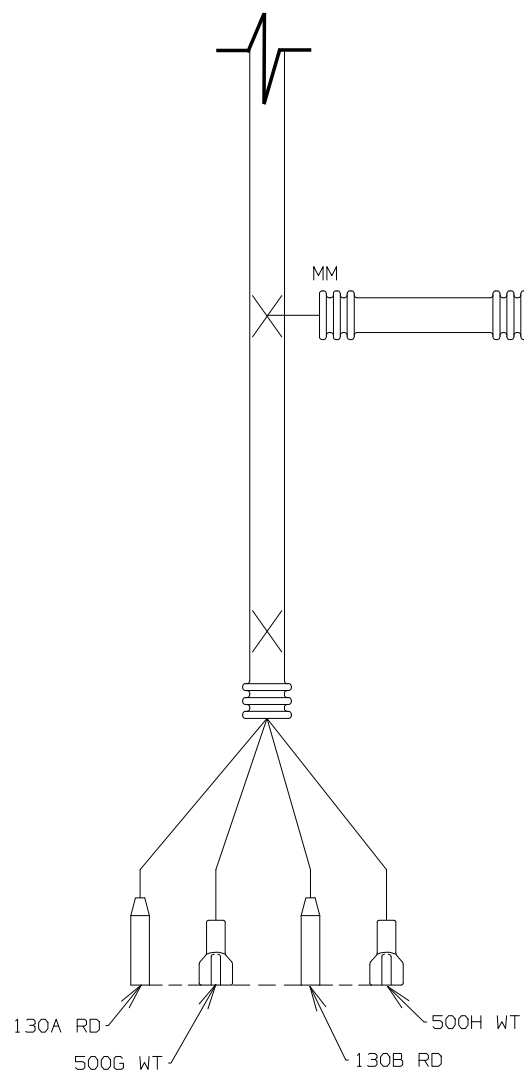
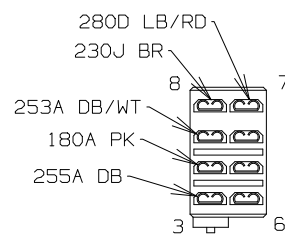
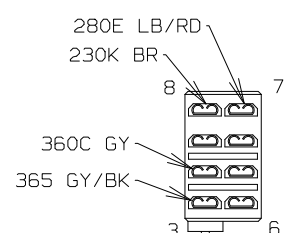
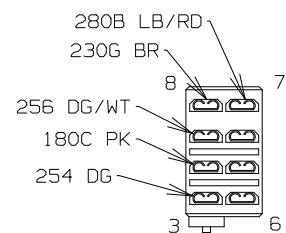
13
MASTER
LIGHT
SWITCH



20
O/H
ACCY
SWITCH

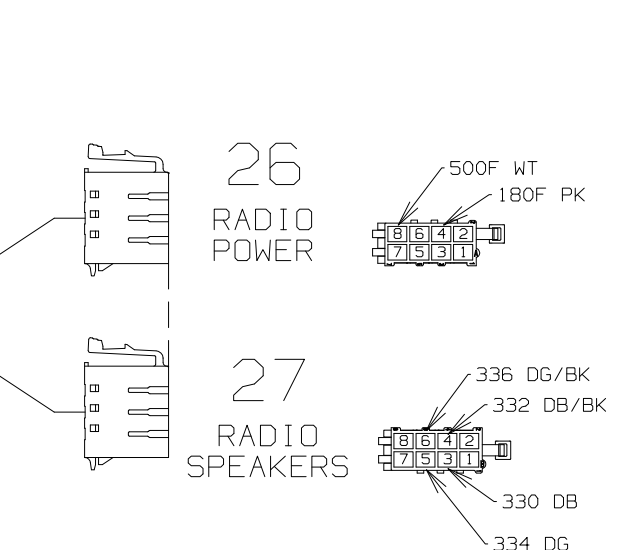
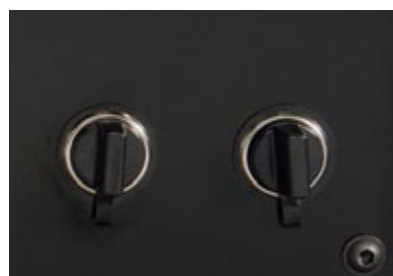
22
ROOF/
COWL
ACCY
SWITCH

23
HTD
MIRROR
SWITCH



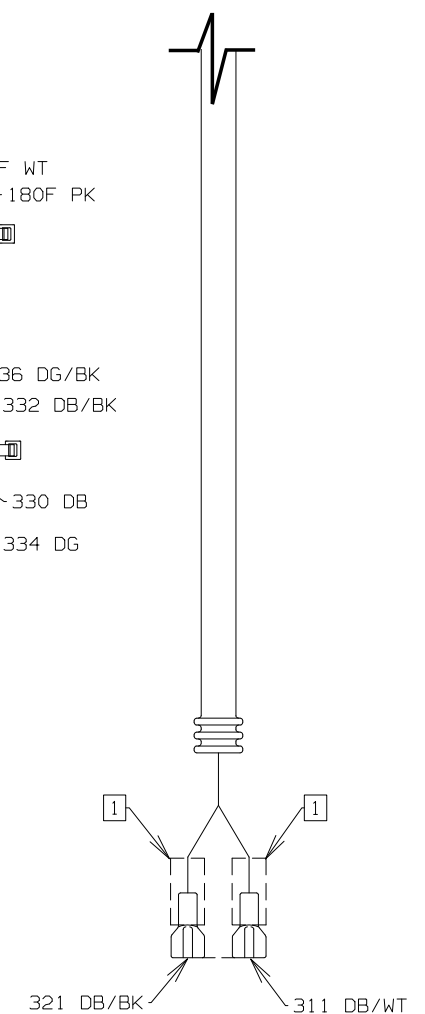
24
12V
RECEPT
1

25
12V
RECEPT
2



26
RADIO
POWER

27
RADIO
SPEAKERS



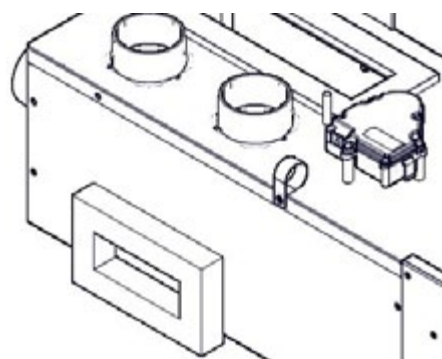
32
TO
P/S
WINDOW



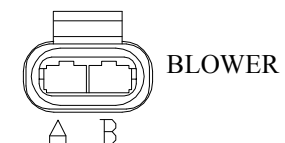
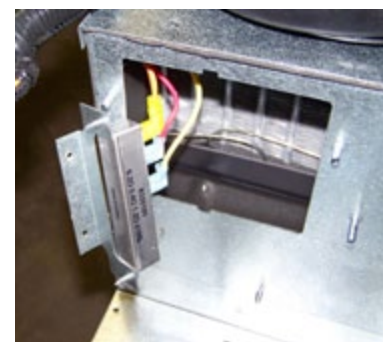
Passenger's door A-pillar

NOTE: All connectors are shown from terminal insertion view unless otherwise noted.

17902301



On top of plenum

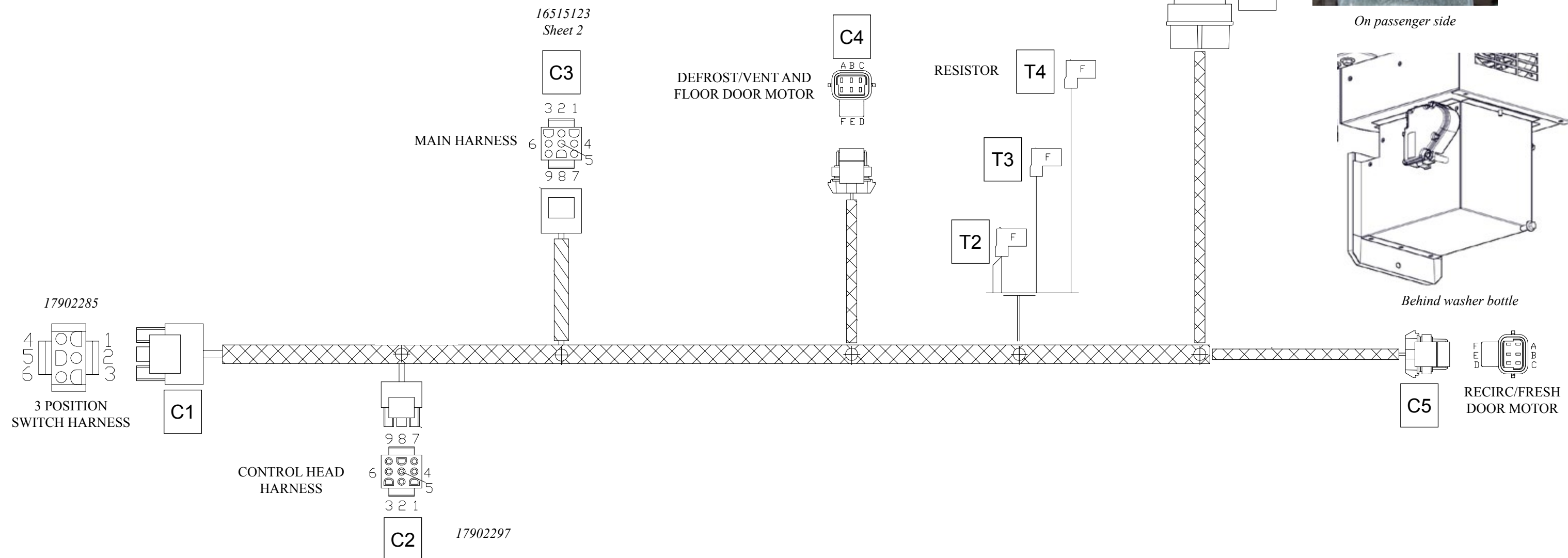


BLOWER



On passenger side

16515123
Sheet 2



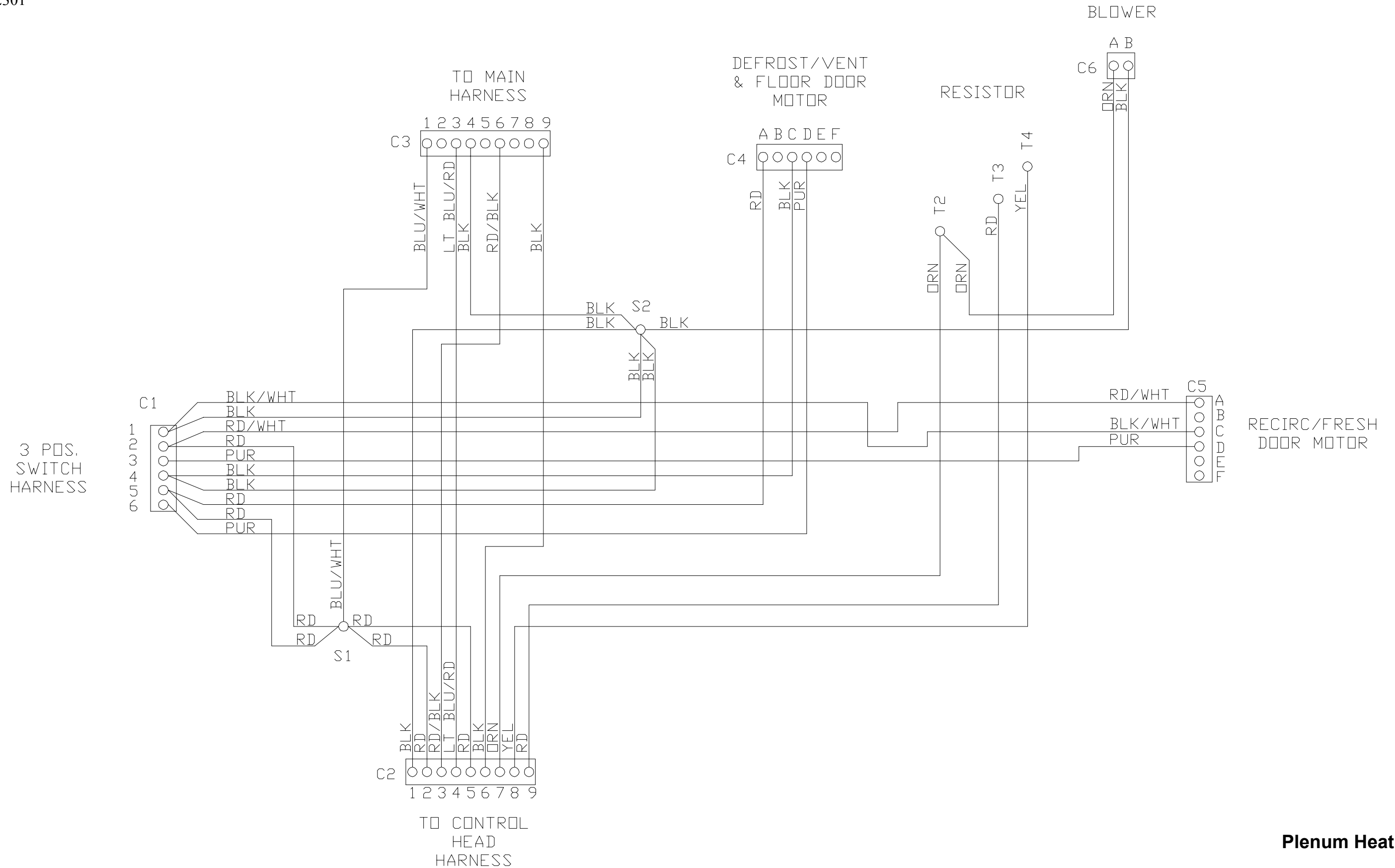
Plenum Heat Only

Main

Sheet 1 of 2

NOTE: All connectors are shown from terminal insertion view unless otherwise noted.

17902301

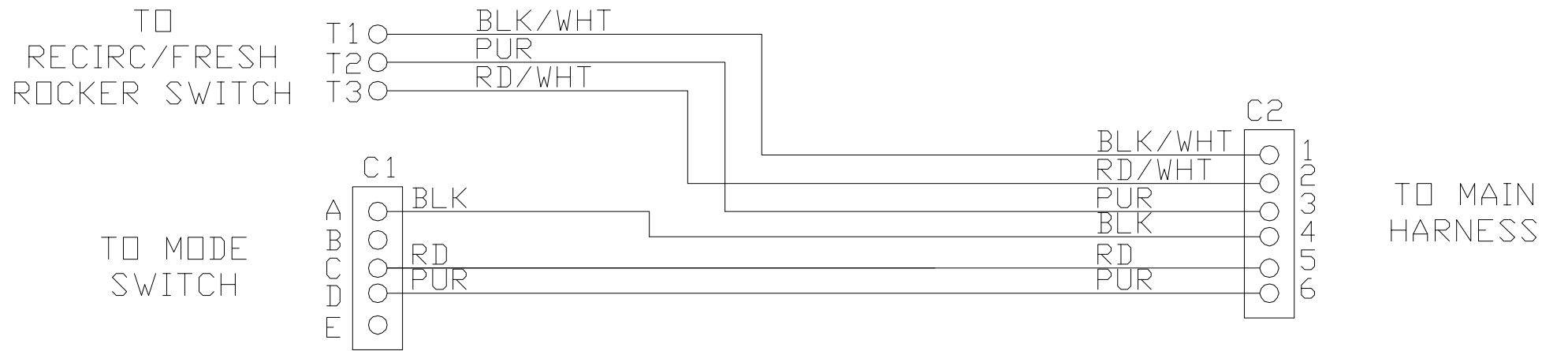


NOTE: All connectors are shown from terminal insertion view unless otherwise noted.

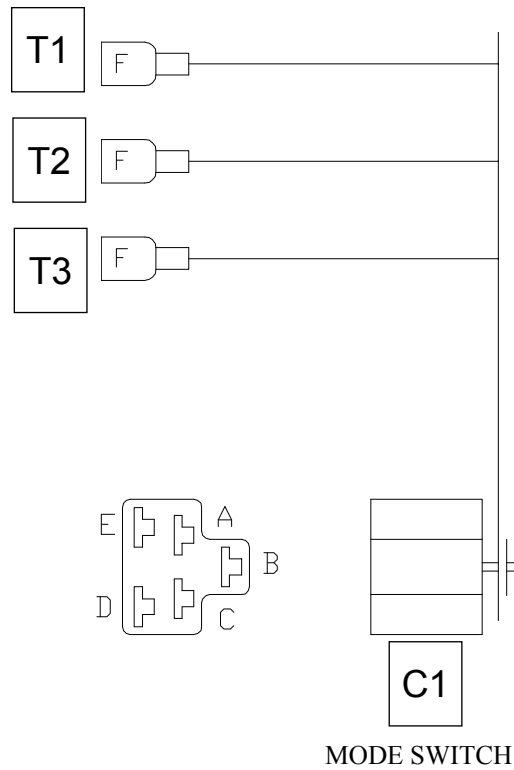
**Plenum Heat Only
Main**

Sheet 2 of 2

17902285



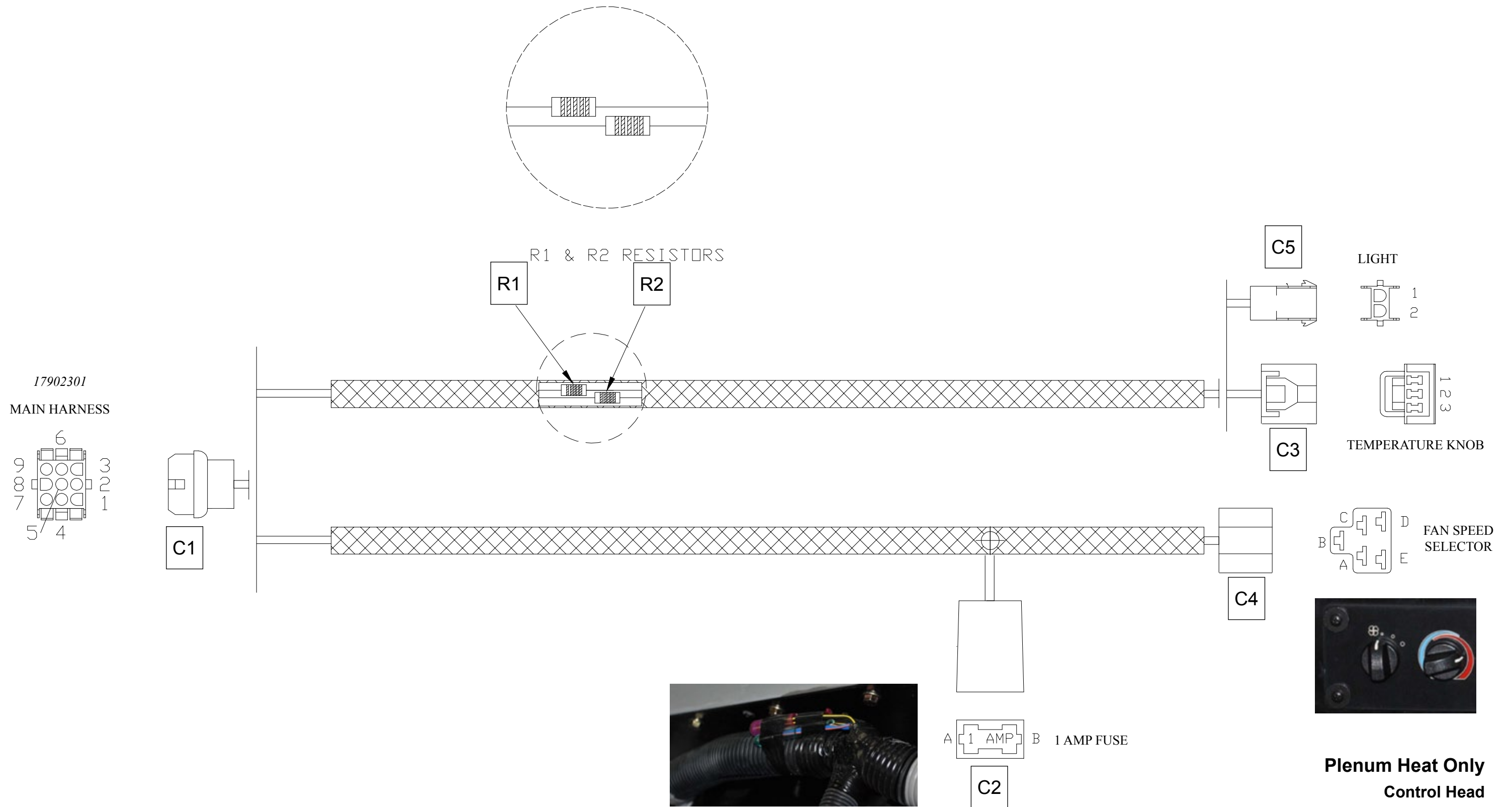
RECIRC/FRESH
ROCKER SWITCH



NOTE: All connectors are shown from terminal insertion view unless otherwise noted.

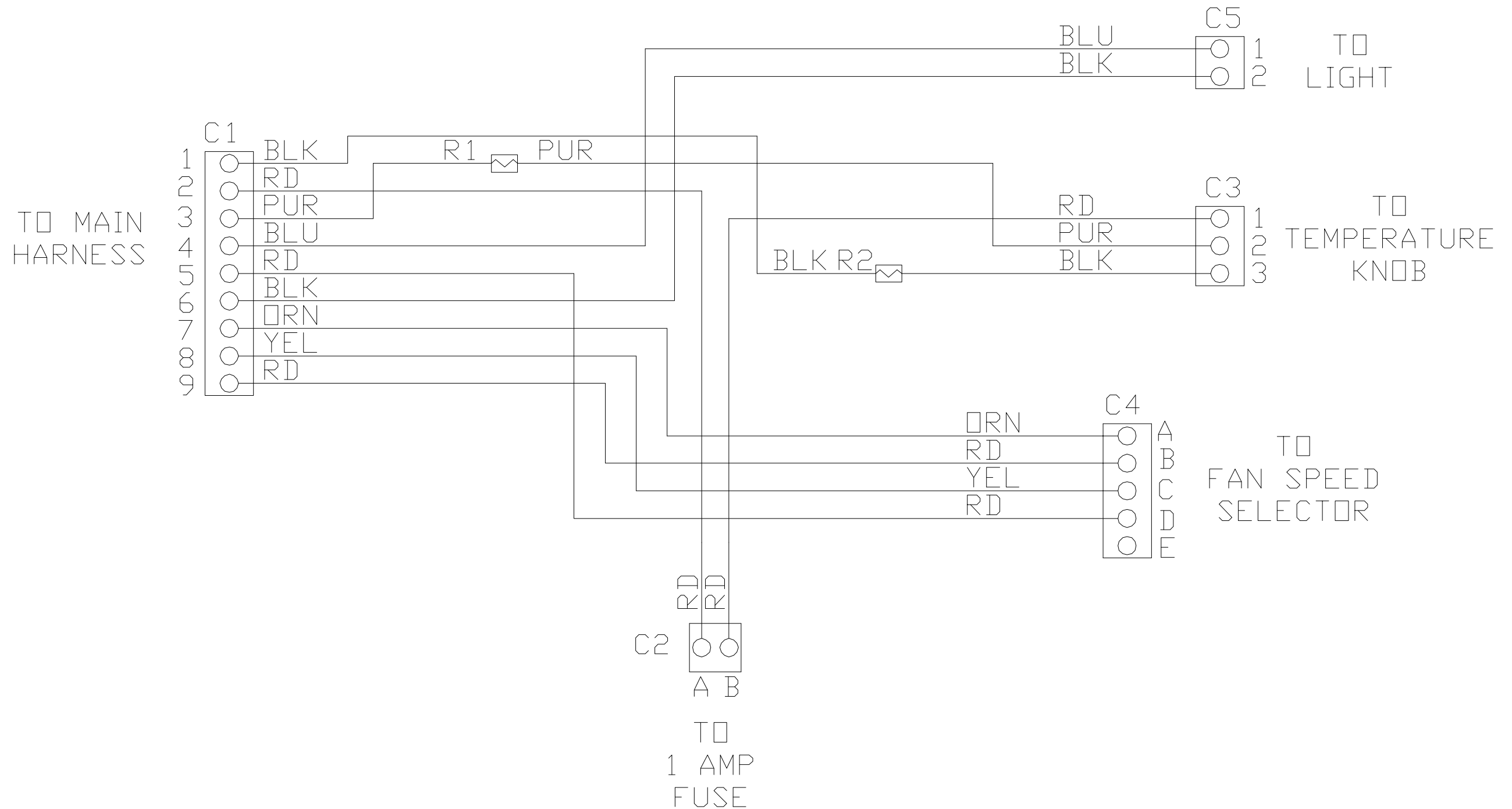
**Plenum Heat Only
Blower Switch**

17902297



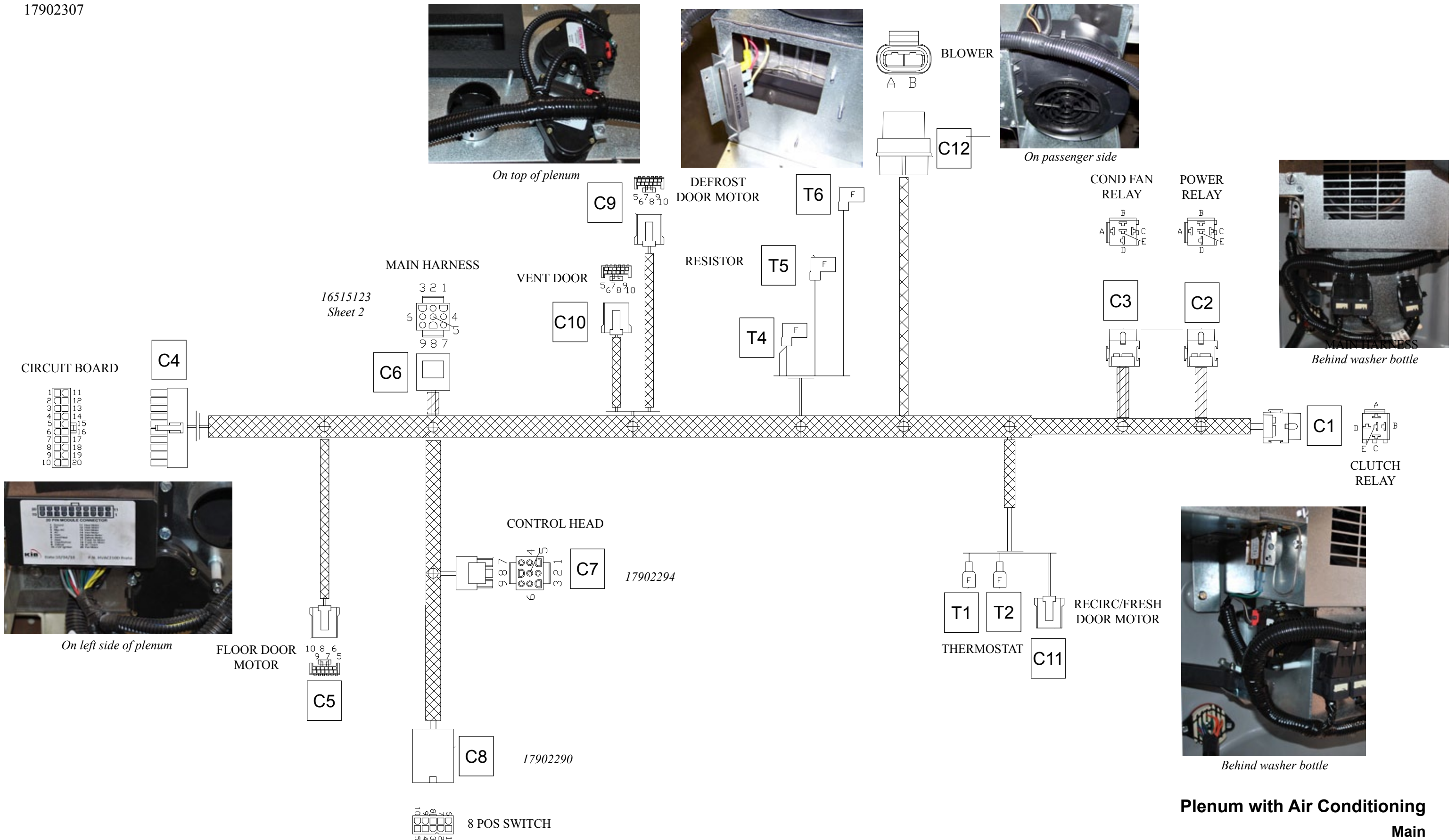
NOTE: All connectors are shown from terminal insertion view unless otherwise noted.

17902297



NOTE: All connectors are shown from terminal insertion view unless otherwise noted.

17902307



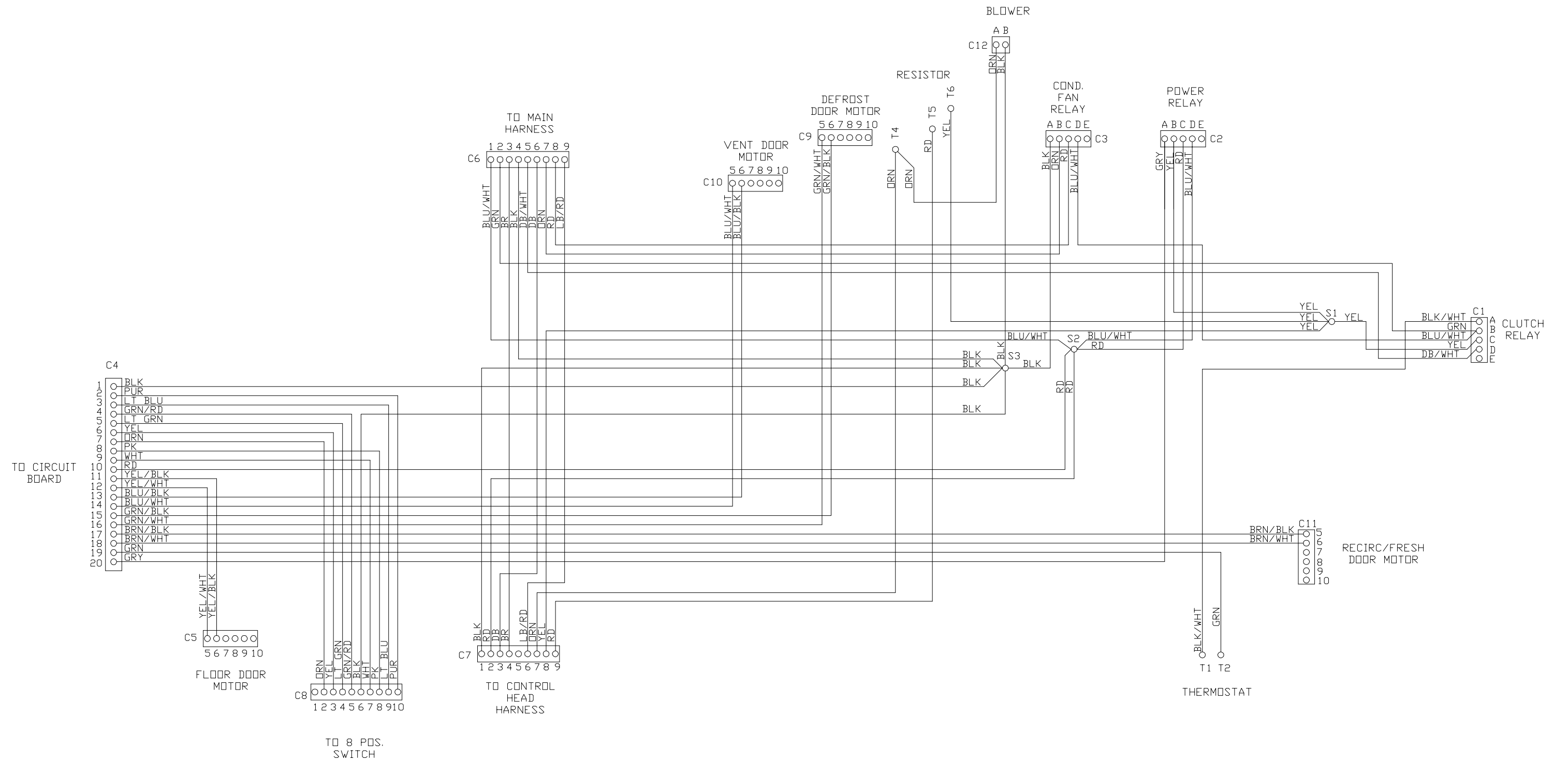
NOTE: All connectors are shown from terminal insertion view unless otherwise noted.

Plenum with Air Conditioning

Main

Sheet 1 of 2

17902307



Plenum with Air Conditioning

Main

Sheet 2 of 2

NOTE: All connectors are shown from terminal insertion view unless otherwise noted.

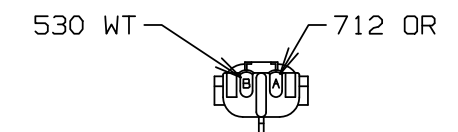
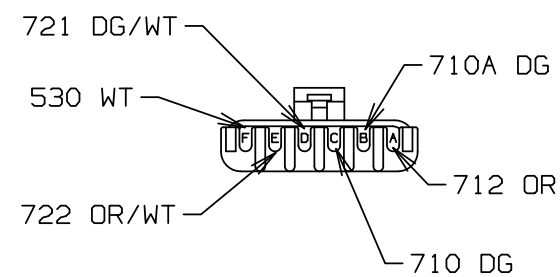
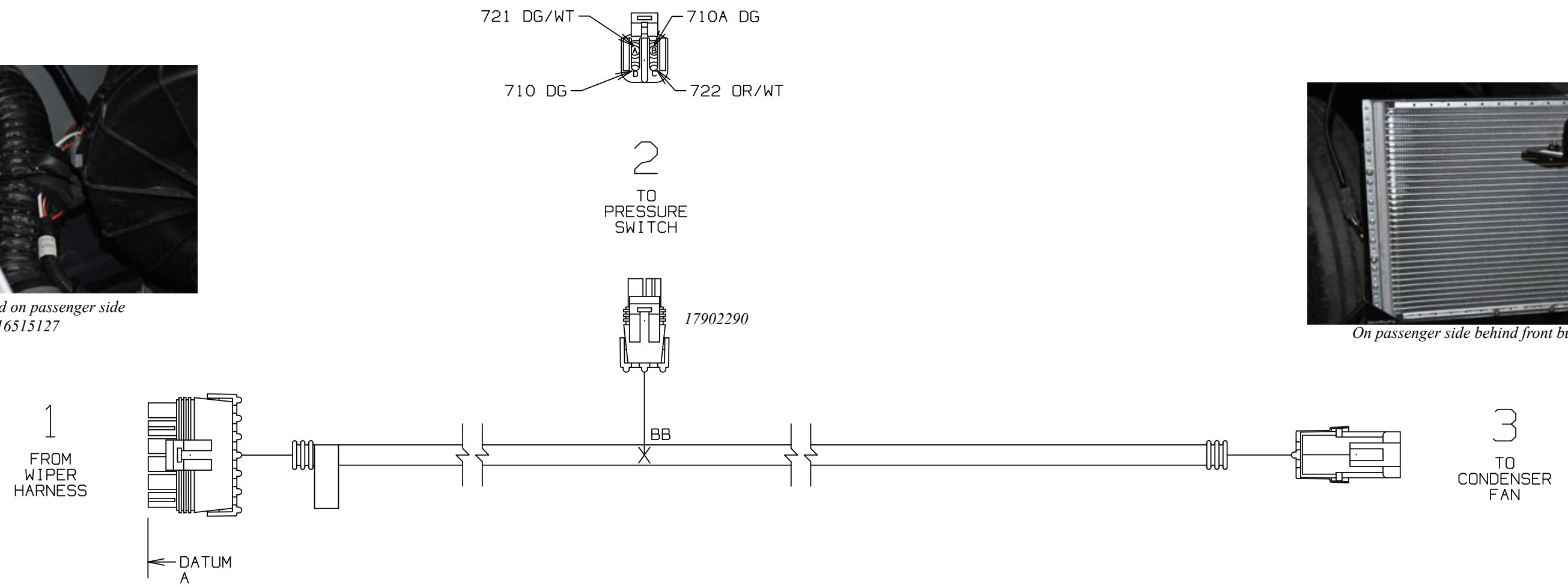
16515135a



Under hood on passenger side
16515127



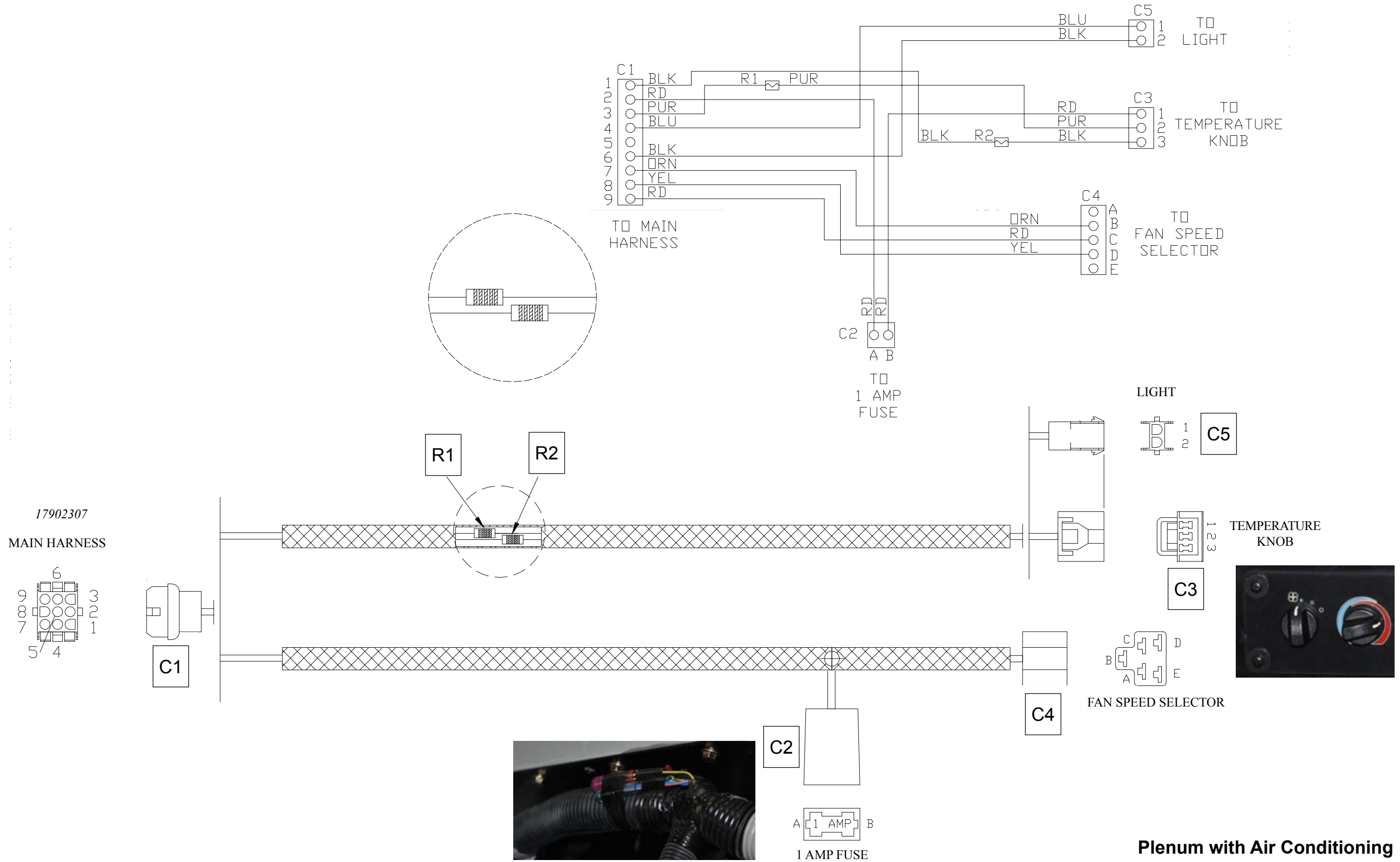
On passenger side behind front bumper



NOTE: All connectors are shown from terminal insertion view unless otherwise noted.

**Plenum with Air Conditioning
Condenser Fan and Pressure Switch**

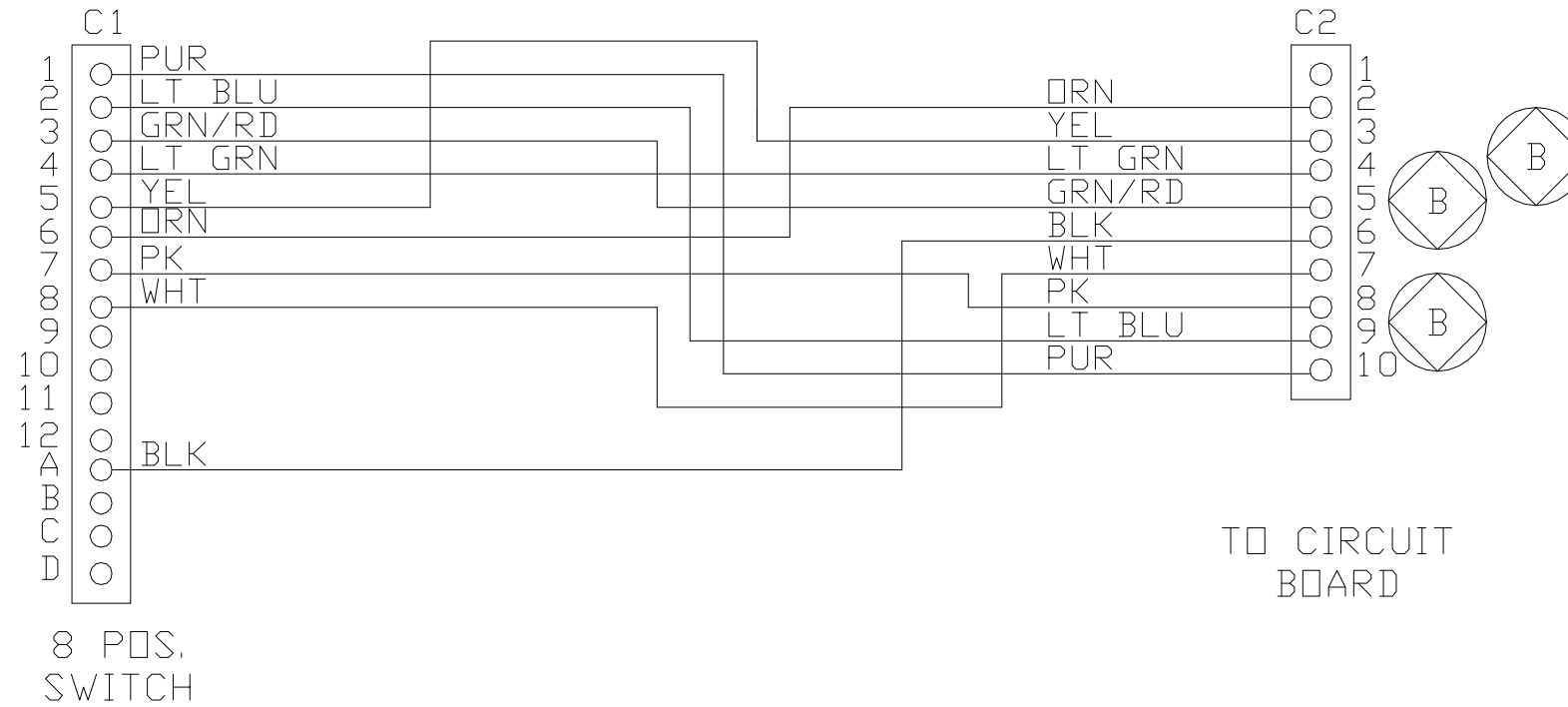
17902294



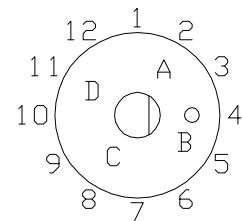
NOTE: All connectors are shown from terminal insertion view unless otherwise noted.

Plenum with Air Conditioning Control Head

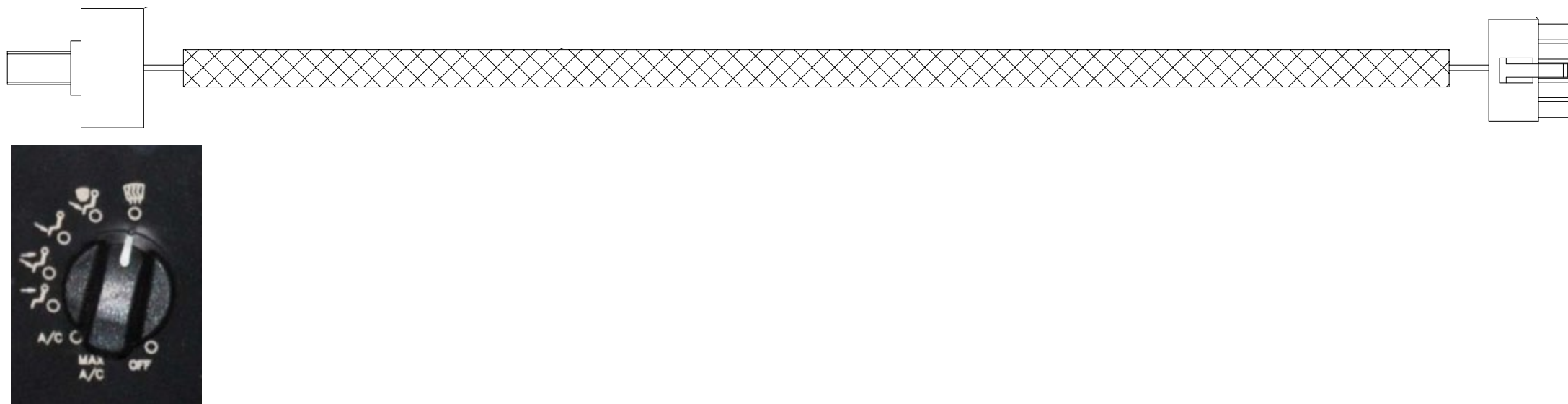
17902290



8 POSITION SWITCH

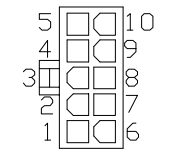


NOTE: NUMBERS & LETTERS ARE ON THE BACK SIDE OF THE SWITCH



17902307

MAIN/CIRCUIT BOARD HARNESS



**Plenum with Air Conditioning
Switch, 8-Position**

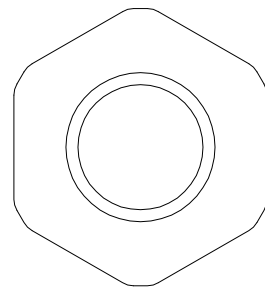
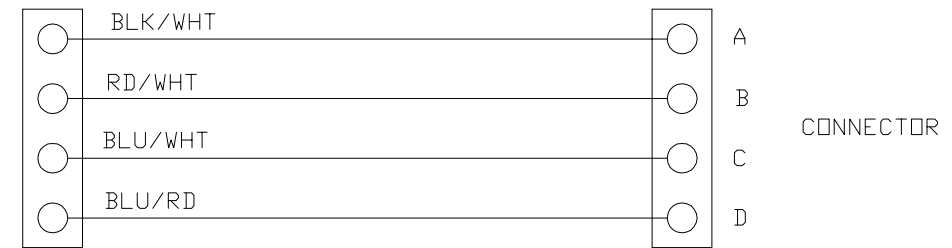
NOTE: All connectors are shown from terminal insertion view unless otherwise noted.

17902300

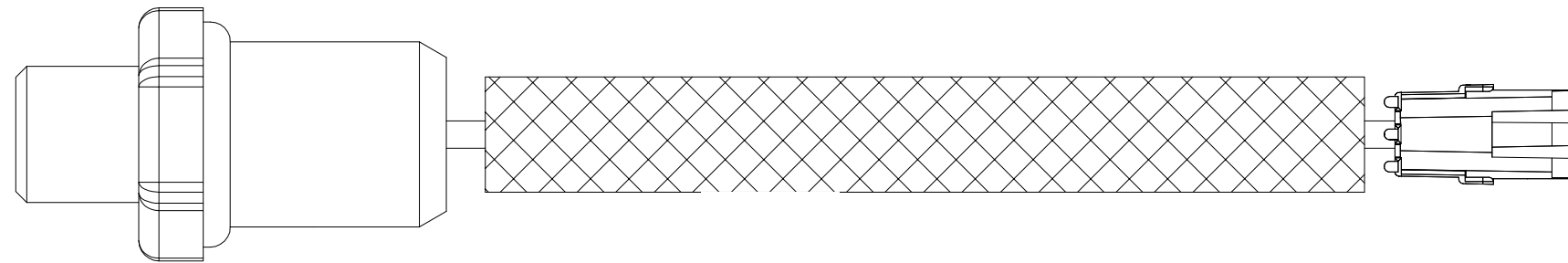


On drier

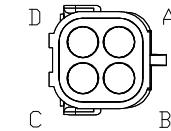
PRESSURE SWITCH



PRESSURE SWITCH



16515135

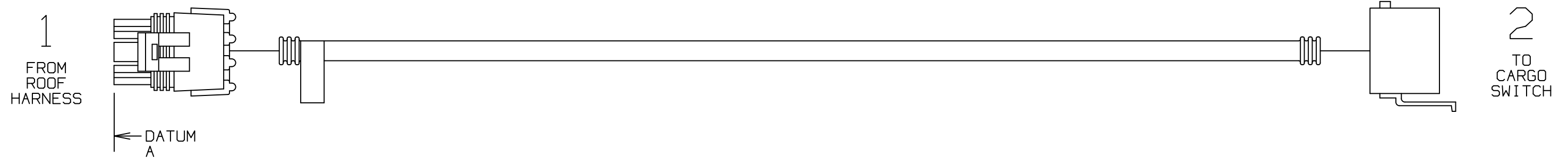
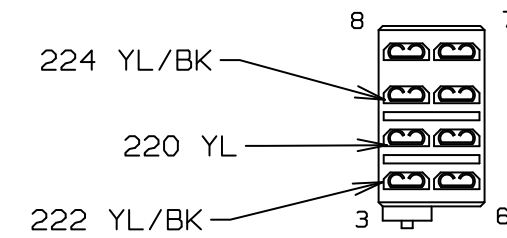
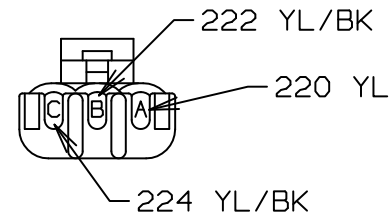


CONDENSER FAN HARNESS

NOTE: All connectors are shown from terminal insertion view unless otherwise noted.

**Plenum with Air Conditioning
Switch, Pressure Trinary**

16515134b



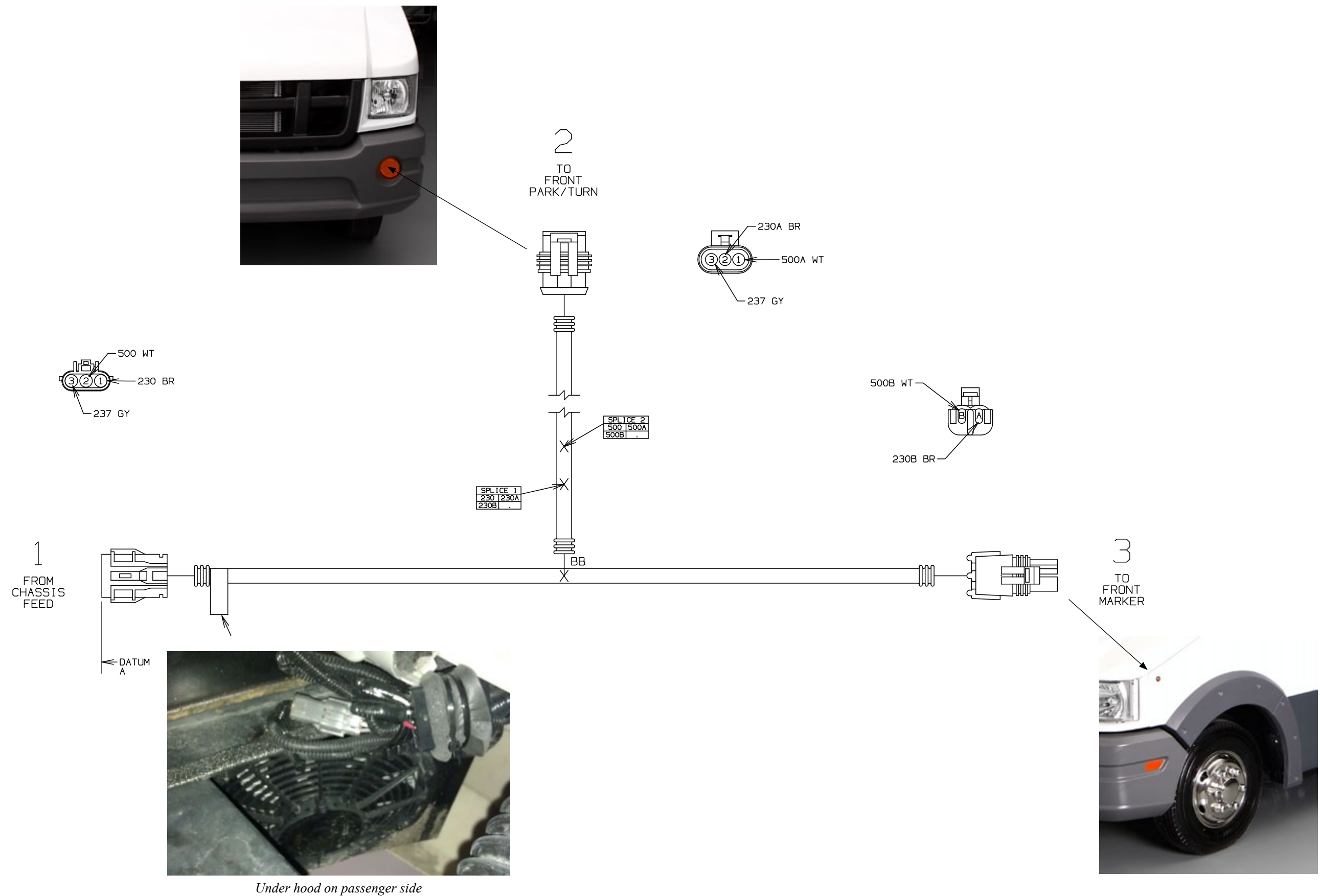
On driver's side in cargo area
16515124



Rear corner post

NOTE: All connectors are shown from terminal insertion view unless otherwise noted.

16515128a

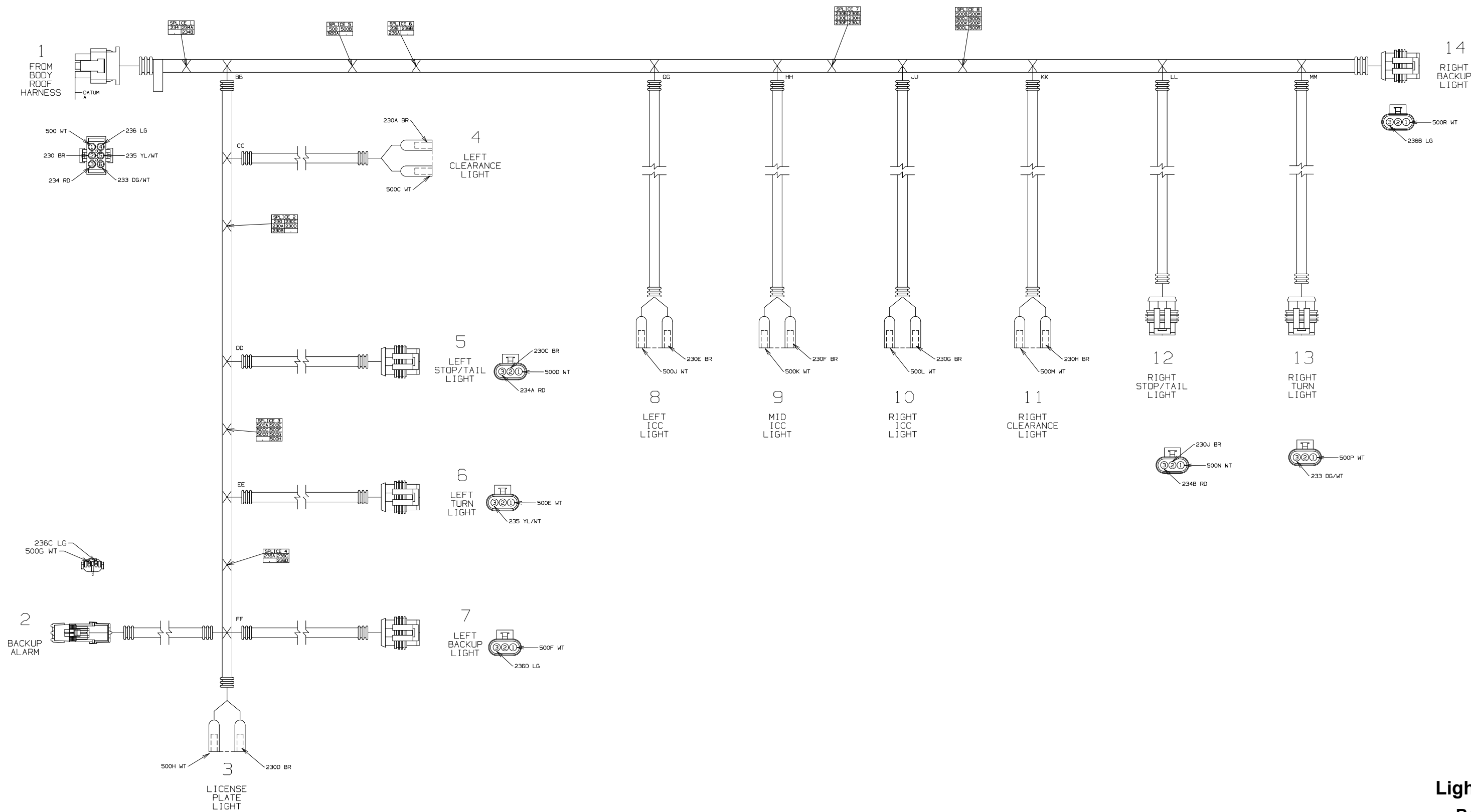


Under hood on passenger side

NOTE: All connectors are shown from terminal insertion view unless otherwise noted.

Lights
Front

16515126b

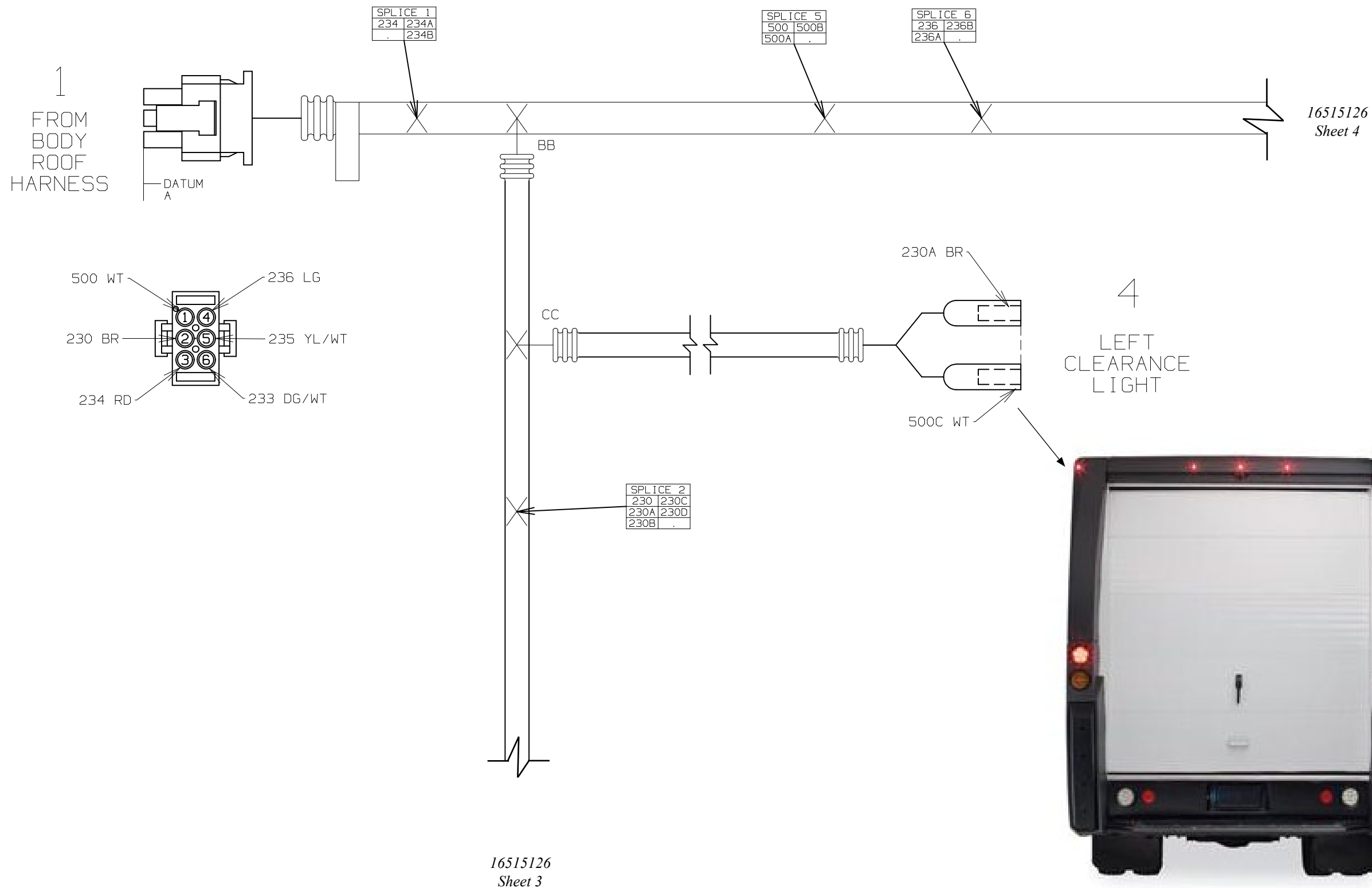


NOTE: All connectors are shown from terminal insertion view unless otherwise noted.

16515126b



On driver's side in rear door header
16515124



Lights
Rear

NOTE: All connectors are shown from terminal insertion view unless otherwise noted.

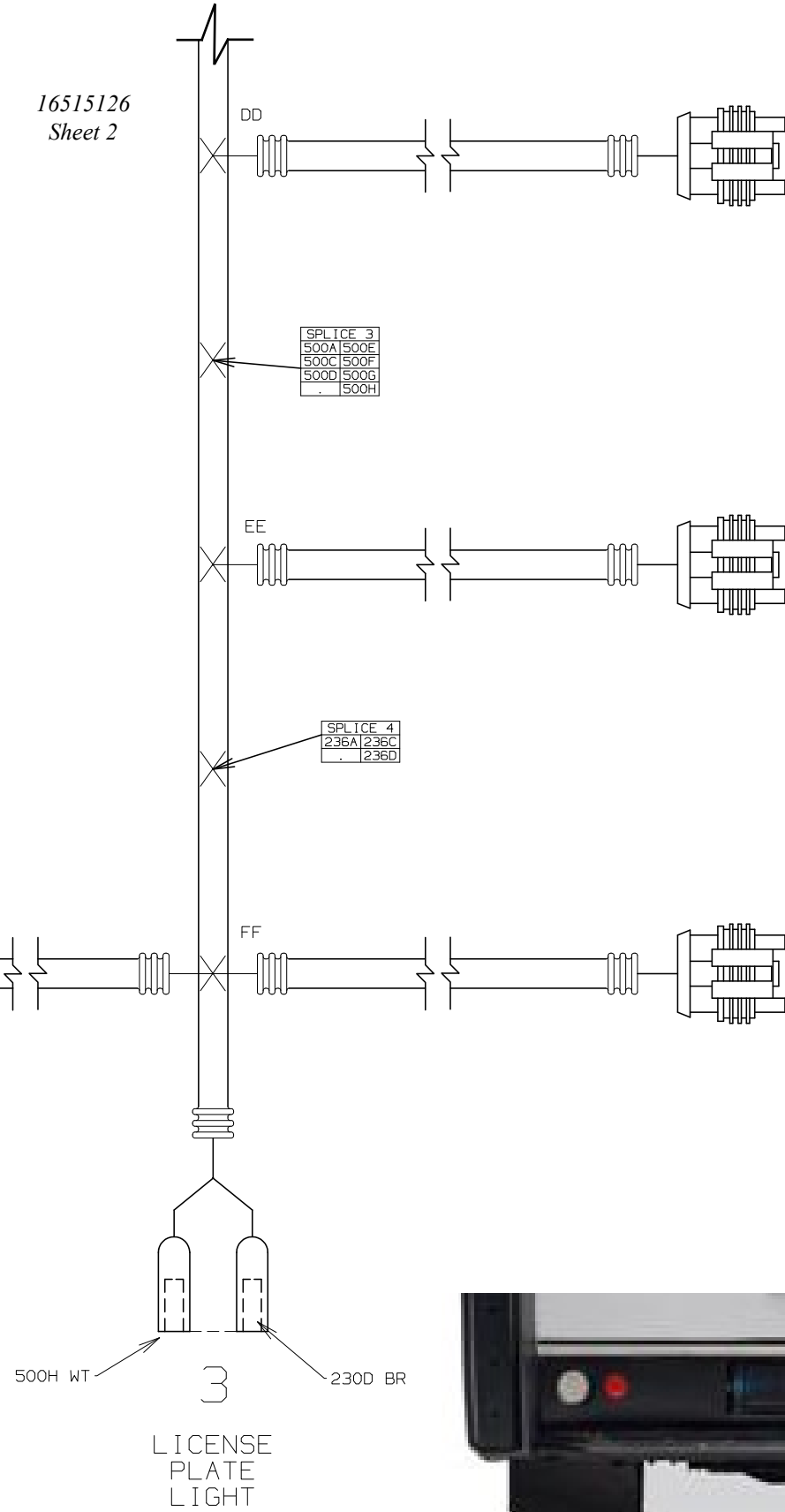
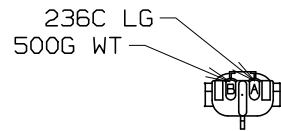
16515126b

16515126
Sheet 2

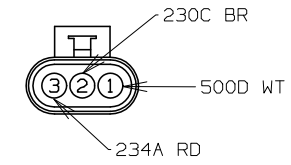


Driver's side in front of the rear bumper

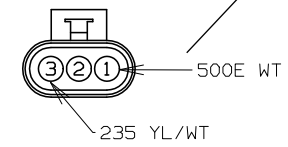
2
BACKUP
ALARM



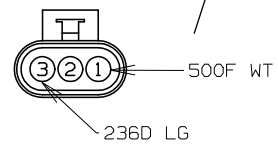
5
LEFT
STOP/TAIL
LIGHT



6
LEFT
TURN
LIGHT



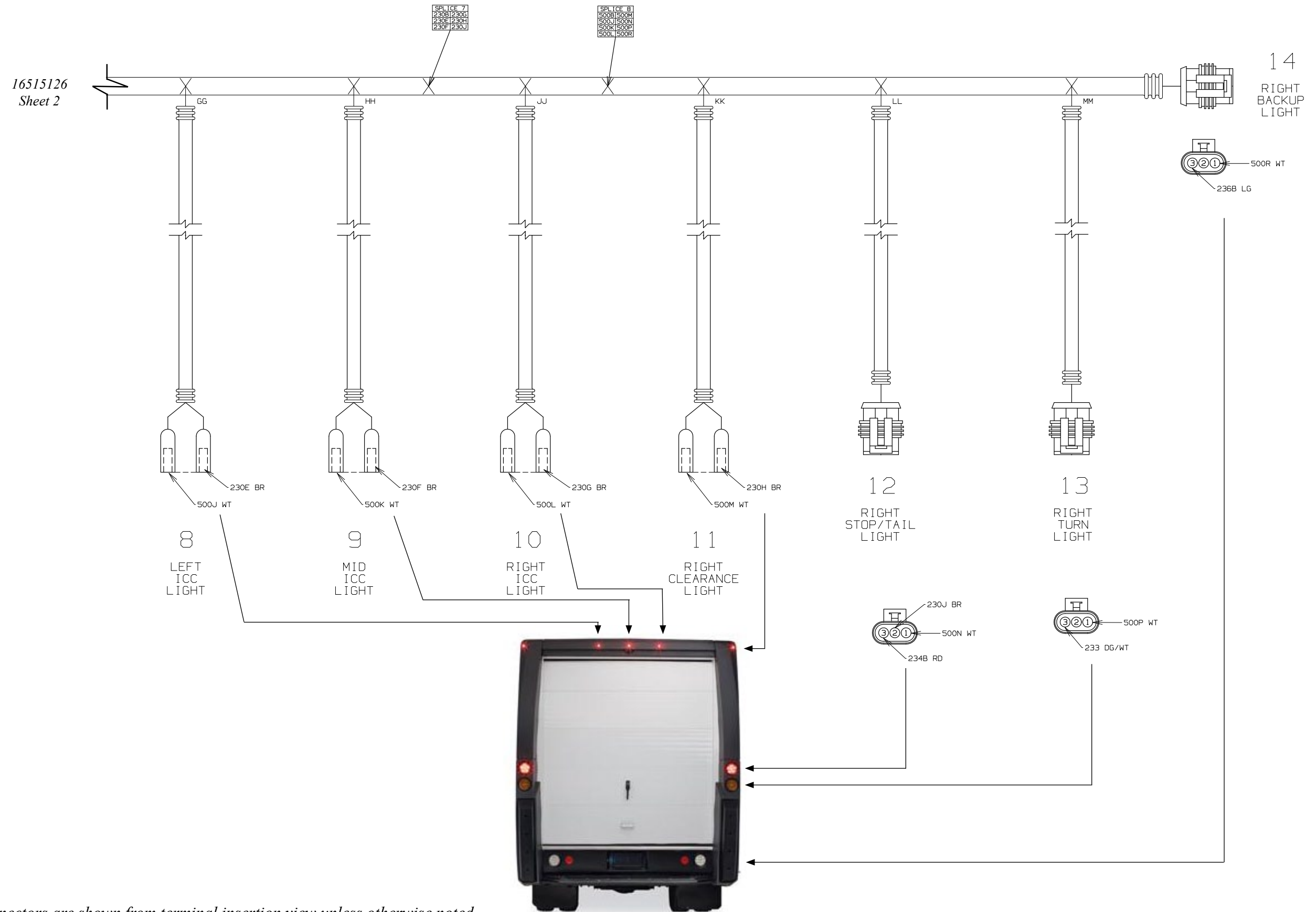
7
LEFT
BACKUP
LIGHT



3
LICENSE
PLATE
LIGHT

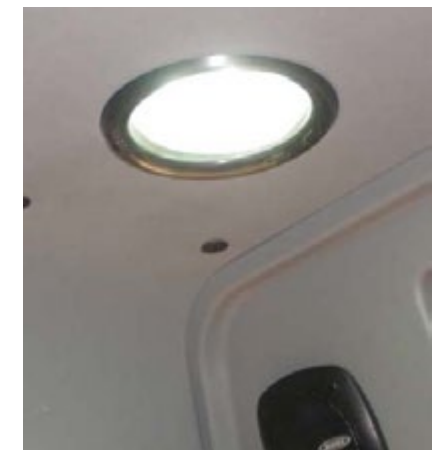
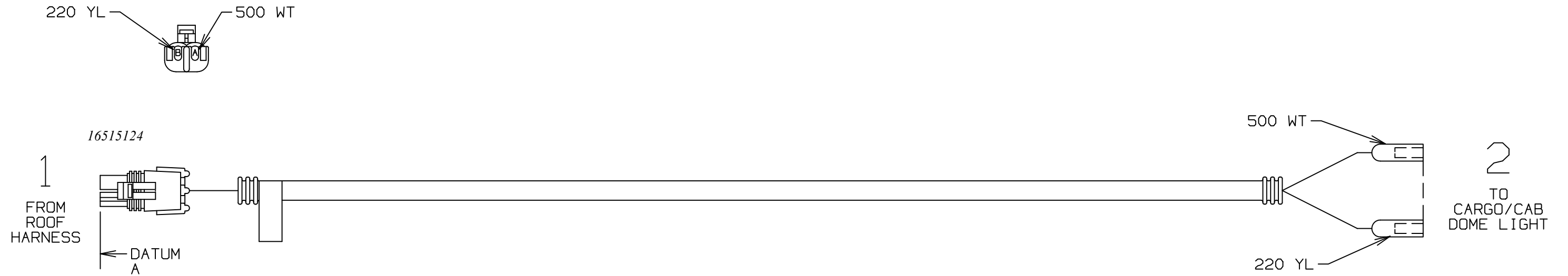
NOTE: All connectors are shown from terminal insertion view unless otherwise noted.

16515126b



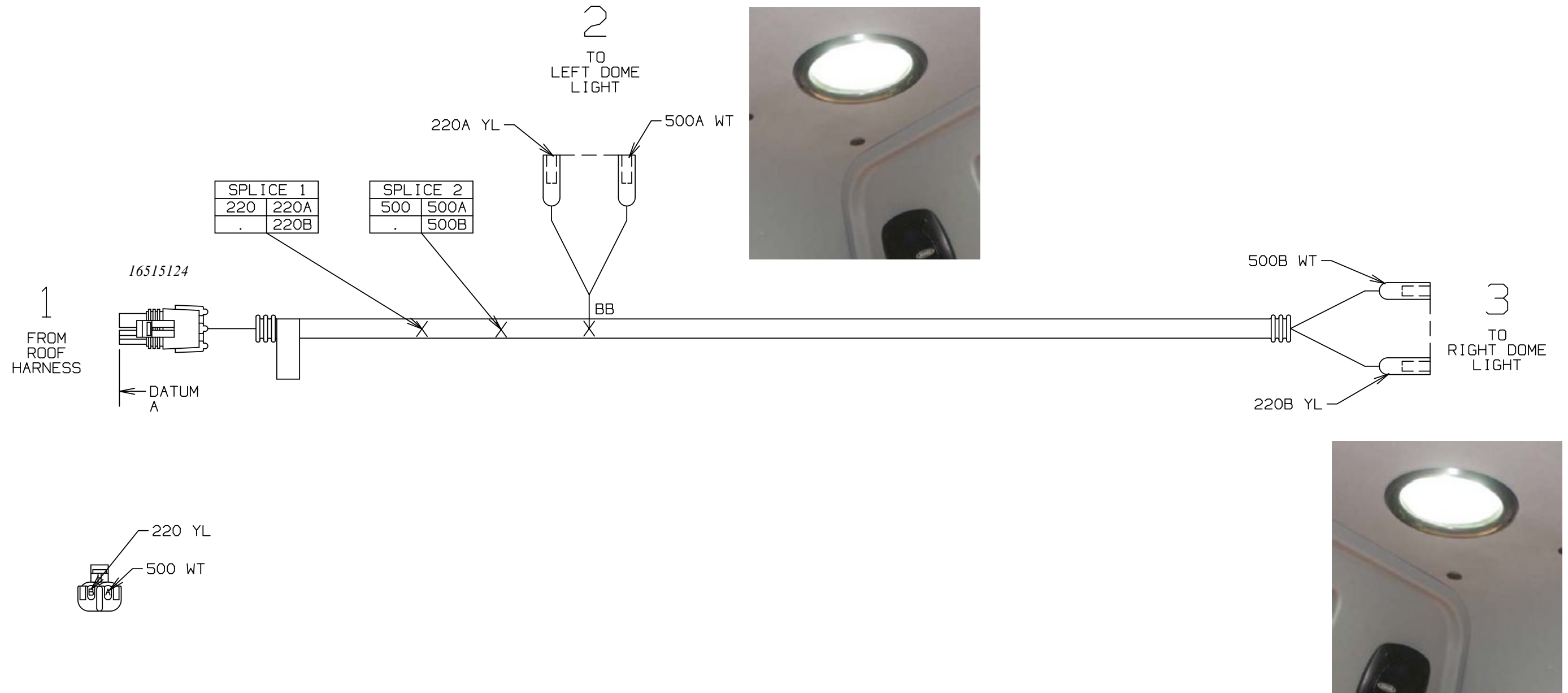
NOTE: All connectors are shown from terminal insertion view unless otherwise noted.

16515130a



NOTE: All connectors are shown from terminal insertion view unless otherwise noted.

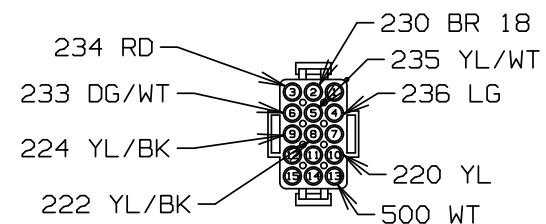
16515131a



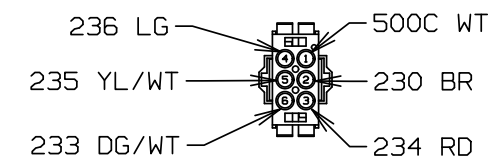
NOTE: All connectors are shown from terminal insertion view unless otherwise noted.

Lights
Dual Cab

16515124a



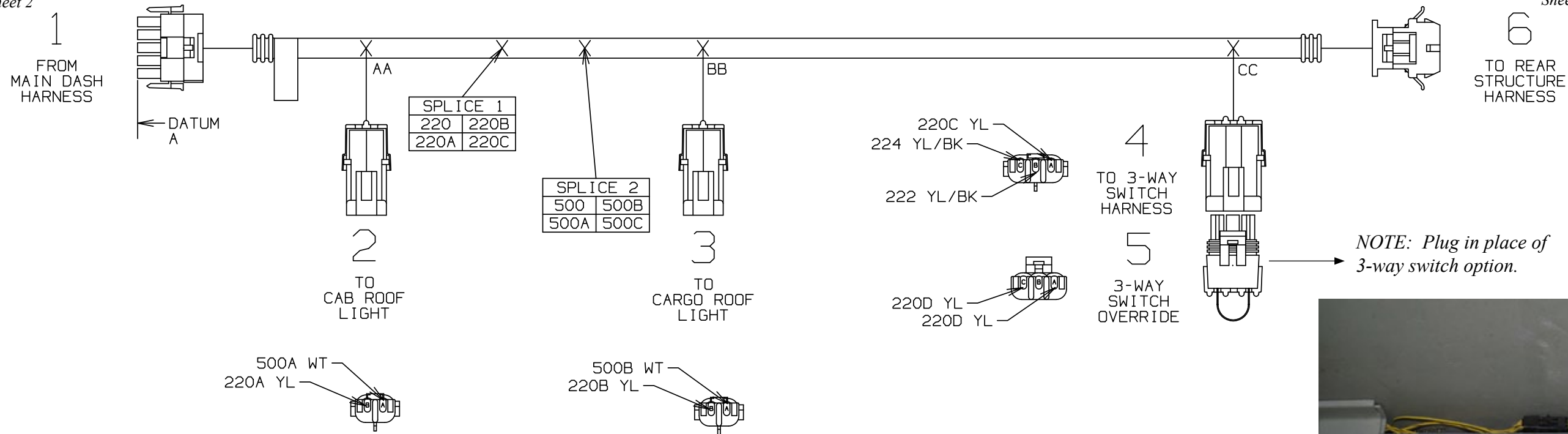
PART NUMBER	TRUCK SIZE	DIM. A	DIM. B
16515124-01000	10.5'	161.0	172.0
16515124-01200	12'	162.0	190.0
16515124-01400	14'	190.0	214.0



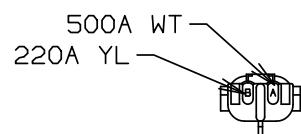
Above driver's door
16515123
Sheet 2



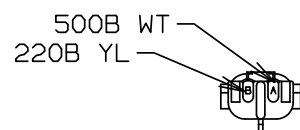
On driver's side in rear door header
16515126
Sheet 2



NOTE: Plug in place of 3-way switch option.



16515131



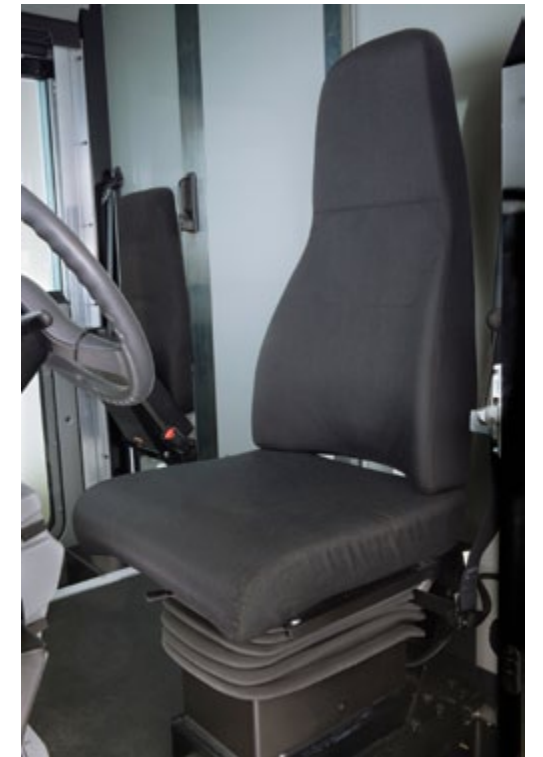
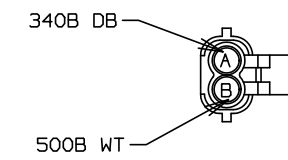
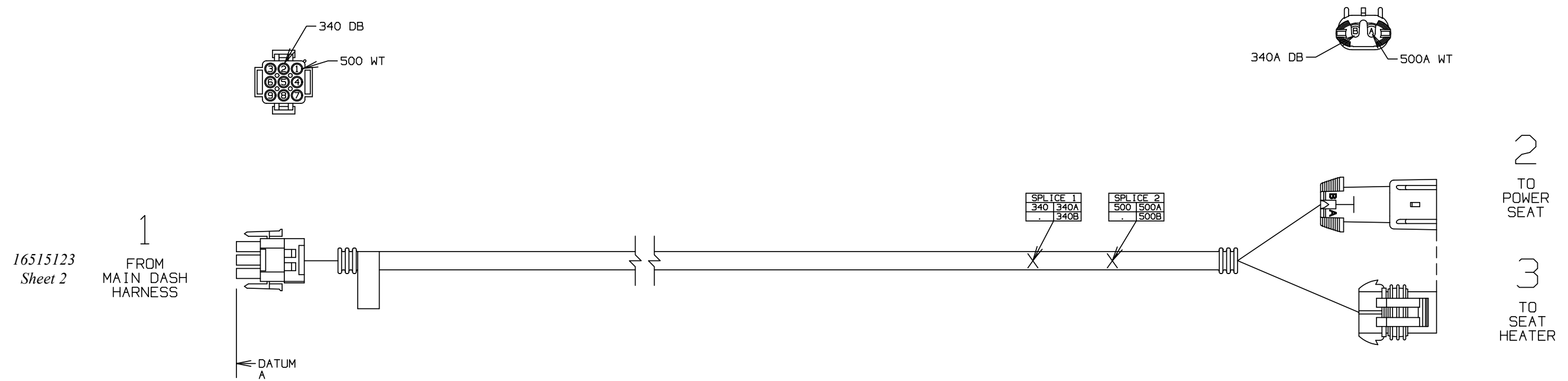
Optional 10 LED 16 x 4 light shown



On driver's side in cargo area
16515134

NOTE: All connectors are shown from terminal insertion view unless otherwise noted.

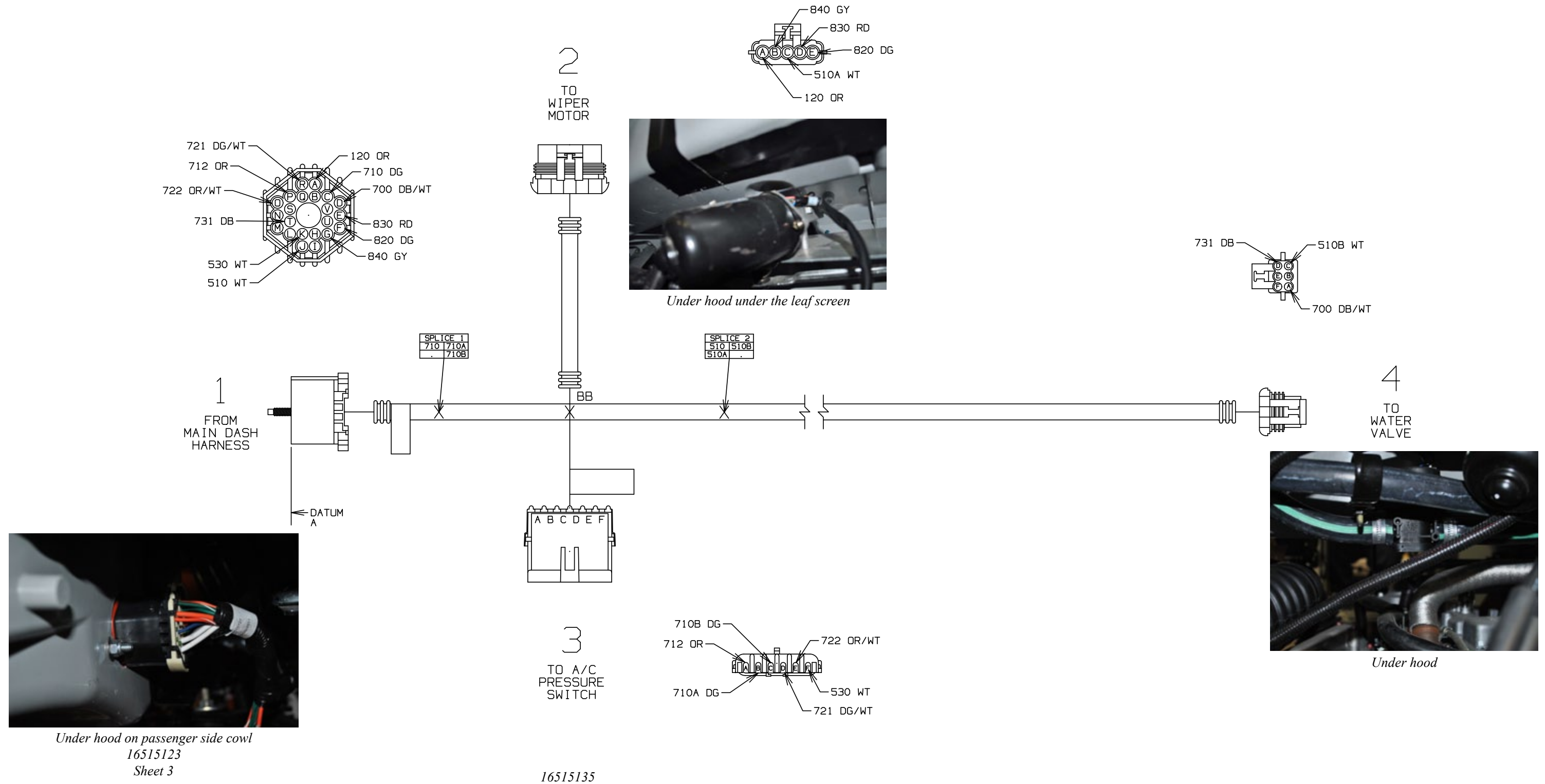
16515129a



NOTE: All connectors are shown from terminal insertion view unless otherwise noted.

Seat, Power

16515127a



NOTE: All connectors are shown from terminal insertion view unless otherwise noted.

Wiper and Coolant Valve

Reporting Safety Defects

United States Only

If you believe that your vehicle has a defect that could cause a crash, injury, or death, you should immediately inform the National Highway Traffic Safety Administration (NHTSA) in addition to notifying Utilimaster.

If NHTSA receives similar complaints, it may open an investigation, and if it finds that a safety defect exists in a group of vehicles, it may order a recall and remedy campaign. However, NHTSA cannot become involved in individual problems between you and your dealer, or Utilimaster.

To contact NHTSA, call the Auto Safety Hotline toll free at 1-888-327-4236 or write to:

U.S. Department of Transportation
National Highway Traffic Safety Administration
Office of Defects Investigation
NVS-216, 1200 New Jersey Avenue SE
Washington, D.C. 20590

or to file a complaint online: <http://www-odi.nhtsa.dot.gov/ivoq/>

You can also obtain other information about motor vehicle safety from the hotline.

Canada Only

If you believe that your Canadian-registered vehicle has a defect that could cause a crash, injury, or death, you should immediately inform Transport Canada in addition to notifying Utilimaster.

To contact Transport Canada, call **800-333-0510** (or **613-993-9851** in the Ottawa region) or write to:

Transport Canada
Motor Vehicle Defect Investigation
PO Box 8880
Ottawa, Ontario K1G 3J2
Canada

Ordering Parts

Utilimaster has an electronic parts catalog and ordering system that will save your team time and money by providing 24-hour access to vehicle parts and the OEM bill of material.

Go to: <http://parts.utilimaster.com>

How to Order

To order parts for this vehicle, gather the following information:

- Chassis VIN
- Complete description of all the parts necessary (see the Utilimaster body parts manual).
- Shipping information

NOTE: Customer Service prefers payment by Visa, MasterCard, Discover, or American Express credit cards. Purchase Orders from customers with established open accounts are also accepted.

Then contact Utilimaster Customer Service by one of the following methods:

- Call 800-237-7806 (or 574-862-3219) and ask for the Parts Department.
- Fax the order with the above information to 574-862-7637.
- Email the order with the above information to CustSvc@Utilimaster.com.

Customizable Parts Order Form

You can also download a customizable form template file from the Utilimaster web site <http://parts.utilimaster.com>. The template has a header that you can customize with your name and address. Then, to order parts, you only have to enter the specific information about the vehicle—saving time retyping the same address information repeatedly. After completing the form, it can be emailed as an attachment, mailed, or faxed.

Returns

To return parts for credit, call the Customer Service Department for prior authorization. All returns must be shipped prepaid freight. A restocking fee will be charged for all returns. Special order parts are not returnable.

Service Center Name _____ Contact Person _____
 Address _____ Email _____
 City _____ Phone _____
 State (Providence) _____ Fax _____
 Zip (Postal) Code _____ Order For: Stock _____ Price Quote _____
 Ship To (Same as Above): Yes _____ No _____ Warranty _____ Unit Down _____
 Ship To (Different Than Above): Name _____
 Address _____ City _____
 State (Providence) _____ Zip (Postal) Code _____
 Attention _____

To Utilimaster Parts Department Date _____
 65528 State Road 19, P.O. Box 585
 Wakarusa, IN 46573-0585, U.S.A. **Preferred Shipper** _____
 Fax **574-862-7637** (Carrier and Service Priority)
Purchase Order # _____ **Credit Card #** _____
Authorized Signature _____ **Exp. Date:** _____

Vehicle Year		Utilimaster Body S/N or Chassis VIN		Vehicle Model
Order Item No.	Quantity	Part Number	Part Description	Comments (Optional)
1.				
2.				
3.				
4.				
5.				
6.				
7.				
8.				
9.				
10.				
11.				
12.				
13.				
14.				
15.				

More Information and Publications

Web Site and Downloading Files

Many support documents, including those described here, are downloadable (as Adobe® Acrobat® PDF files) from our web site at www.utilimaster.com. Click on the *Technical Manuals* button to access the download page. To view the files, you must have the Adobe Acrobat Reader version 4.0 or higher installed on your computer. Acrobat readers are available free for all leading computer operating systems on the Adobe web site (www.adobe.com).



Service Manuals

Read about routine maintenance procedures, proper adjustment methods, vehicle repair, aftermarket upgrades, and much more in the Utilimaster service manuals.



Contacting Utilimaster

Browse our web site www.utilimaster.com for more information about Utilimaster and its products, or contact Utilimaster Customer Service by using one of the following methods:

- Call 574-862-3362.
- Fax to 574-862-7637.
- Email to reach@utilimaster.com.
- Mail to the following address:

Utilimaster
Attn: Customer Service Department
65528 State Road 19
P.O. Box 585
Wakarusa, IN 46573-0585
U.S.A.

Index

Index

Symbols

21-pin connector 6, 31

A

Accessory switch 6

Address

National Highway Traffic Safety
Administration 32

Utilimaster

Customer Service Dept. 37

Parts Dept. 33

Air conditioning

Blower motor 15

Control head 18

Main 15

Relay 15

Resistor 15

Servo motor 15

Switch, 8-position 19

Switch, pressure trinary 20

B

Back-up monitor 5

Blower motor 10, 15

D

Dash, main 6

Distribution panel 7, 15, 19

E

Email 33, 37

F

Fax, parts department 33

Forms 34

Fuses 6, 13, 15

H

Harness

16515123 Dash, main 6

16515124 Roof, driver's side 29

16515125 Cab overhead 5

16515126 Lights, rear 23

16515127 Wiper and coolant valve 31

16515128 Lights, front 22

16515129 Seat, power 30

16515130 Lights, single cab 27

16515131 Lights, dual cab 28

16515134 Lights, 3-way switch 21

16515135 Plenum, AC condenser fan 17

17902285 Plenum, heat blower switch 12

17902290 Plenum, AC 8 position switch 19

17902294 Plenum, AC control head 18

17902297 Plenum, heat control head 13

17902300 Plenum, AC pressure switch 20

17902301 Plenum, heat main 10

17902307 Plenum, AC main 15

I

Introduction 2

L

Lights

3-way switch 21, 29

Cab 27, 28, 29

Cargo 21, 29

Clearance 5, 23

Front 22

Heater control head 13, 18

I.D. 5, 23

Rear 23

Stop/turn/tail 23

M

Mirrors 6
More information and publications
36

N

NHTSA, reporting 32

O

Ordering parts 33
Overhead 5

P

Parts
Customizable order form 34
Ordering 33
Returning 34
Phone numbers 37
Fax 33
NHTSA 32
Transport Canada 32
Utilimaster parts department 33
Plenum
Blower motor 10, 15
Blower switch 12
Control head 13, 18
Main 10, 15
Relay 15
Resistor 10, 15
Servo motor 10, 15
Switch, 8-position 19
Switch, pressure trinary 20

R

Relay 6, 15
Reporting safety defects 32
Resistor 10, 15
Roof 29

S

Safety considerations
32
Seat, power 30
Servo motor 10, 15
Speakers 5, 6
Stereo 6
Switch, 3-way 21
Switch, air conditioning pressure 17, 31

T

Trinary switch 20

W

Washer pump 6
Water valve 31
Web sites 40
Adobe 36
Information 36
Utilimaster 34
Corporate 36
Customer service 33
Parts 34
Windows, power 6
Wiper motor 31

Revision Control

Revision A

March 2012

Part Number: 03103361-WY12EN

Important Notices

© 2012, Utilimaster.®

Printed in U.S.A.

Title: *Reach–Body Wiring Manual*

Utilimaster Corporation attempts to provide information that is accurate, complete, and useful. All information contained in this manual is based on the latest product information available at the time of publication. However, because of the Utilimaster policy of continual product improvement, Utilimaster reserves the right to amend the information in this document at any time without prior notice.

This material is confidential and the property of Utilimaster. It is shared with your company for the sole purpose of helping you with the service of the vehicle.

Utilimaster makes no warranty of any kind with regard to this material, including, but not limited to, the implied warranties of merchantability and fitness for a particular purpose. Utilimaster shall not be liable for errors contained herein or for incidental or consequential damages in connection with the furnishing, performance, or use of this material.

Utilimaster expressly disclaims all responsibility and liability for the installation, use, performance, maintenance, and support of third-party products. Customers are advised to make their independent evaluation of such products.

No part of this document may be photocopied, reproduced, or translated to another language without the prior written consent of Utilimaster.

Utilimaster® and Reach™ are registered trademarks of Utilimaster Corporation. All other products or name brands mentioned in this document are trademarks of their respective owners.

Browse the award-winning web site www.utilimaster.com for more information about Utilimaster and its products.

Reach Customer Service

HOTLINE 574-862-3362

Monday—Friday 6:30 a.m. to 6 p.m. Eastern Standard Time Zone

Email: reach@utilimaster.com

Part Number: 03103361-WY12EN

©Utilimaster Corporation, 65528 State Road 19, P.O. Box 585, Wakarusa, Indiana 46573-0585 USA
